

FAIRBANKS®

295 SERIES TICKET PRINTER



This rugged, ultra-compact, dot matrix ticket printer is ideal for light industrial applications requiring a printed ticket.

FEATURES

- World's smallest ticket printer, perfect for a variety of applications.
- Easy-to-use touch panel and automatic paper eject function.
- Conforms to EPSON's ESC/POS command system. Easy upgrade ensures efficient use of existing software assets.
- Epson's world-renowned quality and reliability are reflected in every component and mechanism.
- High speed ticket printing on single, multi-ply, carbonleaf or carbonless scale tickets.
- Sensors determine top and bottom of form to ensure proper imprinting.

SAMPLE PRINT (Actual Size)

100000 1b GR
2000*1b TA
98000 1b NT

Regular Print

100000 1b GR
2000*1b TA
98000 1b NT

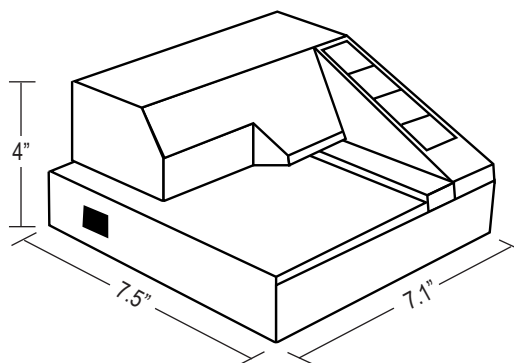
Expanded Print

SPECIFICATIONS

Power	115 VAC ± 10%, 50/60 Hz grounded, 3 wire AC; 50/50 Hz grounded, 3 wire AC, 230 VAC ± 10% (available through inquiry)
Power Supply Output	24 volts DC ± 10%, approximately 600 mA
Humidity	30% to 85% relative, non-condensing
Mass	Approximately 3.5 lbs; 1.6 kg
Interface	RS232C Serial
Baud Rate	Selectable from 110, 150, 300, 600, 1200, 4800 and 9600
Control Buttons	Paper forward; paper reverse; paper release
Control LEDs	Power; release; paper out
Paper Dimensions	3.15 to 7.17 x 2.72 to 10.12" (W x L)
Paper Thickness	0.09 to 0.35 inches
Copy Capability	One original and two copies
Print Method	7-pin, shuttle impact dot matrix
Column capacity	35 / 42 columns
Character Height	0.114 inches standard
Character Width	0.063 inches standard
Print Line Length	2.59 inches
Characters Per Line	13.5 cpi
Print Speed	2.1 lines per second uni-directional
Data Buffer	512 bytes or 35 bytes
Line Feed	Auto advance reversal of document feed
Inked Ribbon	Cartridge-type continuous loop with automatic advance; ERC-27 (purple)
Ribbon Life	1,500,000 characters
Input Connector	25-pin D subminiature (female)
Print Head Life	180,000 hours; 7,000,000 lines
EMI Standards	VCCI class A, FCC class A, CE marking
Safety Standards	UL / CSA C22.2 No. 950

DIMENSIONS

Metric = 180 x 190.5 x 101.5 mm



QuickFacts™

Models and specifications subject to change without notice.
Printed in the USA. © Fairbanks Scales Inc.

Call toll-free for the Fairbanks representative nearest you:

(800) 451-4107

Internet Address: <http://www.Fairbanks.com>