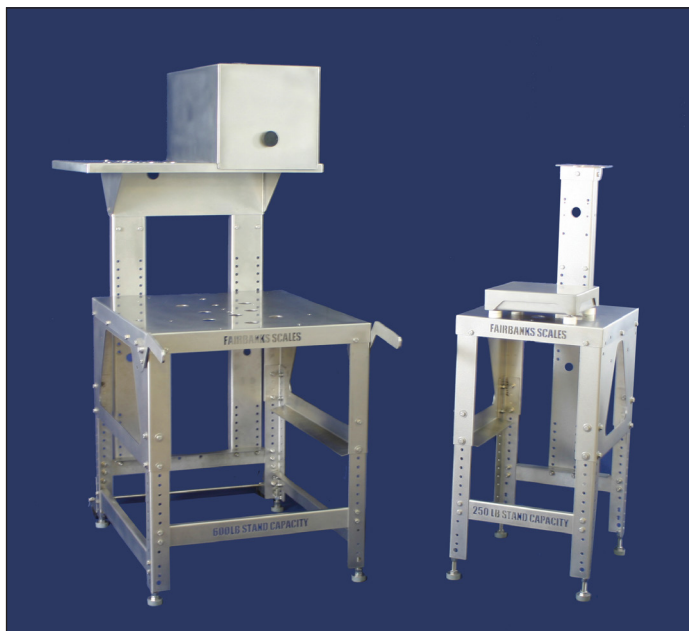


# FAIRBANKS®

## STAINLESS STEEL BENCH STANDS



Fairbanks space-saving Stainless Steel Bench Stands come in two standard sizes, but offer a variety of configuration options to fit most any bench scale weighing application.

### MADE TO SUPPORT FAIRBANKS BENCH SCALE PLATFORMS

Fairbanks bench stands are constructed of high-quality 304 Series stainless steel that's easy-to-clean and provides long-term strength and durability in food preparation, chemical and pharmaceutical environments. These stands are designed for use with Fairbanks' sanitary-design QuickSilver platforms in washdown applications, and can be configured with mounting hardware to accommodate just about any scale instrument on today's market.

### BENCH STAND CONFIGURATIONS

Fairbanks' small bench stand is ideal for applications that require a 10" x 10" or 12" x 12" QuickSilver stainless steel platform or Fairbanks' SilverBack mild steel platform. The large stand handles all QuickSilver and SilverBack platforms (10" x 10" to 24" x 24"). Both stands can be configured to handle different size and style instruments by adding a Yoke, Plate or Bracket Kit. Either can also be outfitted with an optional Wheel and Handle Kit for easy portability.

Fairbanks offers a Shelf Kit for the large stand that supports a Fairbanks FB4000 Solutions Series Instrument and EasyCoder® PM43 printer for bar code labeling applications.

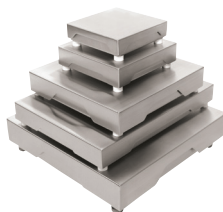
The large stand also allows the instrument pillar to be mounted in three locations — left, center or right.

### EASY TO ASSEMBLE

Fairbanks bench stands come with easy-to-follow assembly instructions. Assembly time is estimated at 30 minutes or less.

### SPECIFICATIONS

Construction . . . . .	304 Series stainless steel
Capacity	
Small stand . . . . .	Up to 250 lbs
Large stand . . . . .	Up to 600 lbs
Scale size	
Small stand . . . . .	10" x 10" and 12" x 12" QuickSilver or SilverBack Bench Scale platforms
Large stand . . . . .	All QuickSilver and SilverBack platforms
Accessories . . . . .	<b>Pillar Yoke Kit</b> — Designed for use with Fairbanks stainless steel NexWeigh, FB1200, or FB2255 Series instruments; or any manufacturers stainless instrument with 11" width.



QuickSilver  
Stainless Steel Platforms



SilverBack  
Mild Steel Platforms

**Pillar Plate Kit** — Designed for any stainless Fairbanks instrument that mounts with a desk/wall bracket and most other manufacturers stainless instruments with a desk/wall mount bracket.

**Pillar Bracket Kit** — Designed for use with Fairbanks stainless steel instruments; or any manufacturer's stainless steel instrument with a side-mount width of 8.13"-12.5".

**Pillar Shelf Kit** — Designed for mounting Fairbanks FB4000 Series Instruments and bar code printers or other instrument-printer combinations.

**Portability Kits** - Wheels and handles.

Dimensions . . . . . Shown on Page 2

### QuickFacts™

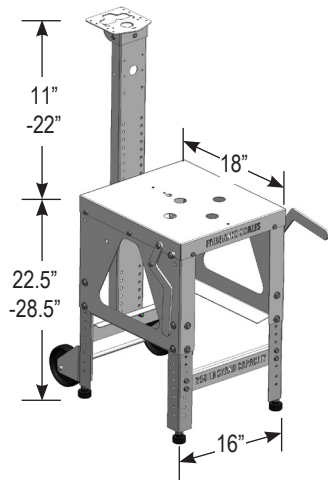
Models and specifications subject to change without notice. Printed in the USA.  
© Fairbanks Scales Inc.  
www.Fairbanks.com

Call toll-free for the Fairbanks representative nearest you:  
**(800) 451-4107**

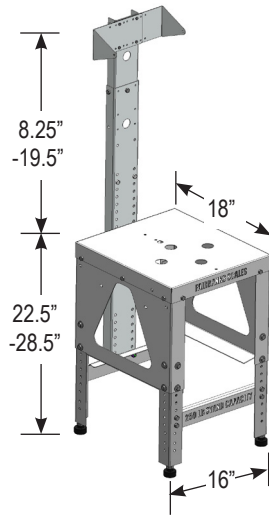
# FAIRBANKS®

## STAINLESS STEEL BENCH STANDS DIMENSIONS

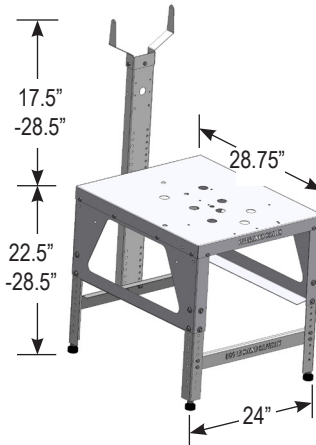
**SMALL STAND WITH PORTABILITY KIT AND PLATE KIT**



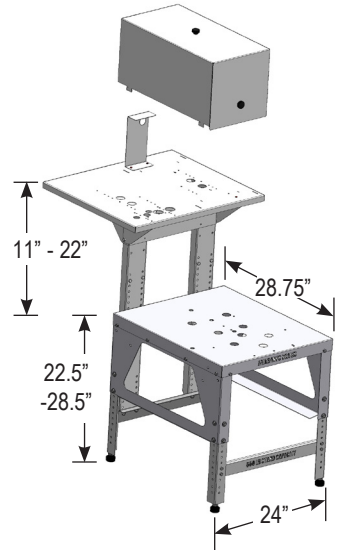
**SMALL STAND WITH EXTENSION AND BRACKET KIT**



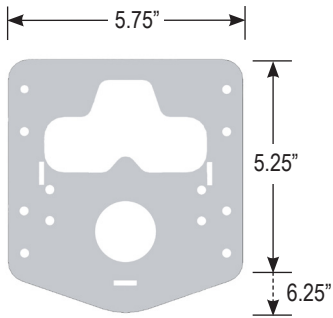
**LARGE STAND WITH YOKE KIT**



**LARGE STAND WITH SHELF KIT**

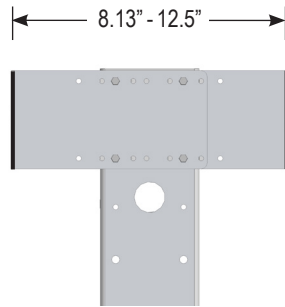


**PLATE KIT**

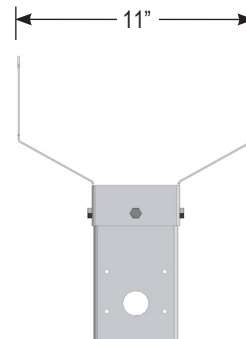


(Top View)

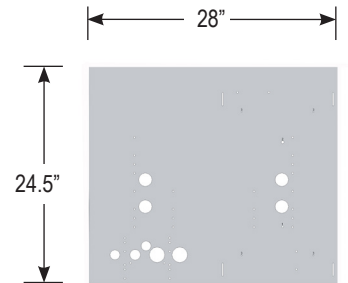
**BRACKET KIT**



**YOKE KIT**



**SHELF KIT**



(Top View)

### QuickFacts™

Models and specifications subject to change without notice. Printed in the USA.  
© Fairbanks Scales Inc.

Call toll-free for the Fairbanks representative nearest you:

**(800) 451-4107**

[www.Fairbanks.com](http://www.Fairbanks.com)

03/23 100063