



# Portable Scales

FOR GENERAL INDUSTRY

Industry's most comprehensive portable line for mechanical to advanced digital weighing.

1124 Series • 1200 Series • 1155 Series



Mechanical

General Purpose

Advanced Digital

Fairbanks portable scales  
are legal for trade in the  
U.S. and Canada.



Visit our world: [WWW.FAIRBANKS.COM](http://WWW.FAIRBANKS.COM)



# Portable Scales

## For General Industry



### 1124 Series

#### General mechanical weighing

Rugged and economical mechanical beam scale for industrial and commercial general utility weighing.



Chrome-plated beam, clearly shows exact weight.

- Mechanical design makes this scale ideal for intrinsically safe applications.
- Low-cost weighing solution.
- Easy to maneuver.
- Easy-to-read, chrome-plated weigh beam with brass inset.
- Weighs in lb or kg.



Legal for Trade

#### Applications:

- Intrinsically safe
- Inventory
- Parts distribution
- Warehousing
- Bag filling



### 1200 Series

#### General digital weighing

Cost-effective solution for basic commercial utility scale applications.



FB1200 Series Instrument

- Runs on AC or rechargeable battery.
- Low-cost weighing solution.
- Functions include on/off, units, zero, B/G net, tare, print, F1.
- Large, 2.0" backlit LCD display.
- Two (2) bidirectional RS232 COM ports.
- Weighs in lb, kg, oz, g, ton, tonne, and custom units.



Legal for Trade

#### Applications:

- Auditing
- Parts distribution
- Material handling
- Warehousing
- Bag filling
- Checkweighing



### 1155 Series

#### Advanced digital weighing

Full numeric keypad allows manual input of tare weights and IDs.



FB2255 Series Instrument

- Runs on AC power or D cell batteries.
- Easy-to-read, 1.0" tall, backlit LCD display.
- Low-power technology enables batteries that last for up to 55 hours of continuous use.
- RS232C, RS485, RS422 and 20 mA serial interface.
- Weighs in lb, kg, oz, g, and custom units.



Legal for Trade

#### Applications:

- Auditing
- Inventory
- Parts distribution
- Material handling
- Warehousing
- Bag filling



### BPP Series

#### Non-commercial weighing

Rugged and economical mechanical beam scale for industrial general utility applications that do not require legal-for-trade certification.

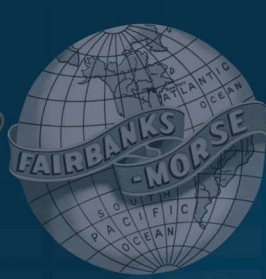


Chrome-plated beam, clearly shows exact weight.

- 2,000 lb capacity.
- Intrinsically safe.
- Low-cost weighing solution.
- Easy to maneuver.
- Easy-to-read, chrome-plated weigh beam with brass inset.
- Weighs in pounds.

#### Applications:

- Intrinsically safe
- Inventory
- Parts distribution
- Warehousing
- Bag filling



Setting the Industry Standard since 1830

# Portable Scale Platform/pillar

## Time-proven reliability

At the heart of Fairbanks' Portable General Industrial Scales is a cast iron base and lever system with a timeless design that's served the weighing industry for more than **100 years**.

- **1,000 lb capacity digital models**
- **2,000 lb capacity mechanical model**
- **Incredibly durable cast iron construction**
- **Easy portability**
- **Accurate and dependable**



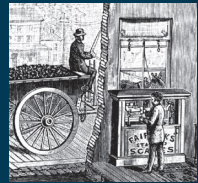
Slip-proof, ergonomic handle is featured on the 1200 Series and 1155 Series scales.



The 1124 Series and BPP Series have an easy-grip handle that is attached directly to the weigh beam pillar.



*We invented platform weighing*



Fairbanks Scales is one of the oldest manufacturing companies in the United States. It was founded in St. Johnsbury, VT., in 1830 by inventor Thaddeus Fairbanks.

Thaddeus revolutionized U.S. commerce and global trade with his ingenious lever-driven platform scale design for loaded wagons.

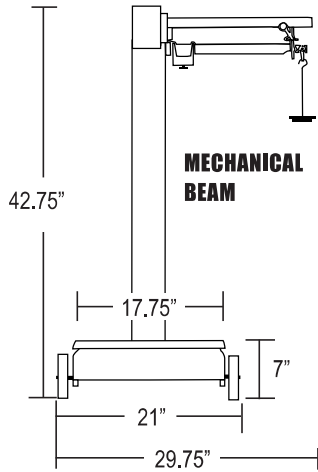
The design was applied on a smaller scale in the 19th Century and remains the foundation for today's line of portable industrial scales.

# Portable Scales

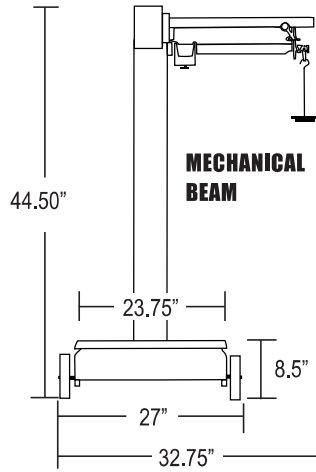
For General Industry

## DIMENSIONS (in inches)

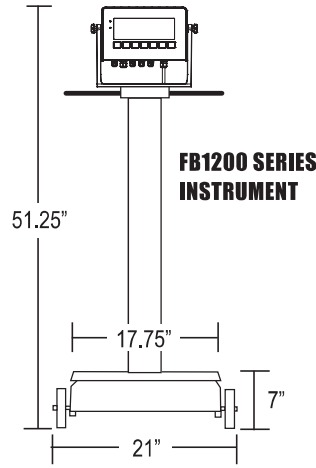
### 1124 SERIES



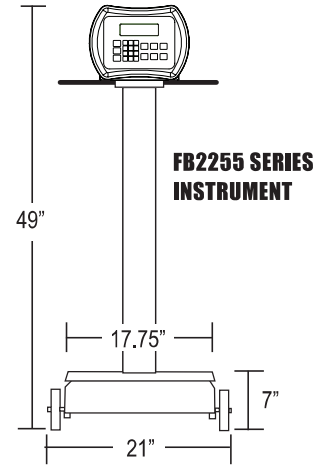
### BPP SERIES



### 1200 SERIES



### 1155 SERIES



### 1124 SPECIFICATIONS

Capacity . . . . . 1,000 x 0.5 lb  
 Beam . . . . . Chrome-plated with brass inset; large, easy-to-read graduations  
 Units . . . . . lb or kg  
 Approvals . . . . . NTEP CC# 88-266; MC #AM-4657

### BPP SPECIFICATIONS

Capacity . . . . . 2,000 x 1.0 lb  
 Beam . . . . . Chrome-plated with brass inset; large, easy-to-read graduations  
 Unit . . . . . lb

### 1200 SPECIFICATIONS

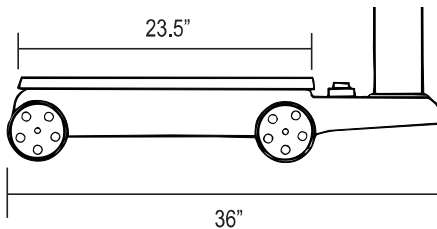
Capacity . . . . . 1,000 x 0.2 lb  
 Display . . . . . LCD, 2.0" tall, 6-digit, 9-segment  
 Enclosure . . . . . Black resin alloy, NEMA 4  
 Push Button Keys . . . . . On/off, units, zero, B/G net, tare, print, F1  
 Units . . . . . lb, kg, oz, g, ton, tonne, custom  
 Communications . . . . . Two (2) RS232 bidirectional COM ports  
 Power . . . . . AC or battery (rechargeable)  
 Approvals . . . . . NTEP CC# 92-110, MC #AM-5745

### 1155 SPECIFICATIONS

Capacity . . . . . 1,000 x 0.2 lb  
 Display . . . . . LCD, 1.0" tall, 6-digit  
 Enclosure . . . . . ABS plastic, NEMA 1  
 Push Button Keys . . . . . 0-9, decimal, enter, menu, ID/left arrow, right arrow, zero, print, units, tare, on/off, B/G net  
 Units . . . . . lb, kg, oz, g and custom  
 Communications . . . . . COM 1 - RS232, RS422, RS485  
 COM 2 - RS232, RS422, RS485, 20 mA  
 External - DB9 bidirectional  
 Power . . . . . AC or 5 "D" cell batteries  
 Approvals . . . . . NTEP CC# 92-110, MC #AM-5720

### BASE SPECIFICATIONS (ALL MODELS)

Construction . . . . . Cast iron  
 Wheels . . . . . 5.0" diameter, cast iron  
 Column . . . . . Fabricated steel



Call toll-free for the representative nearest you:

**(800) 451-4107**

Call between 8:00 a.m. – 5:00 p.m. Central Time

Corporate Headquarters: 6800 W. 64th Street, Overland Park, Kansas 66202

(816) 471-0231 Internet Address: <http://www.Fairbanks.com>



St. Johnsburys manufacturing facility registered in compliance with ISO 9001.

