

FAIRBANKS®

1155 SERIES PORTABLE UTILITY SCALE



Fairbanks' 1155 Series combines digital electronics with reliable, mechanical weighing to create a general purpose, 1,000 pound capacity, utility scale that is approved for commercial applications.



ECONOMICAL AND EASY TO USE

This portable, cast iron scale runs on AC or battery-power, enabling it to operate virtually anywhere. Easy-rolling wheels and a new, non-slip, ergonomic handle make moving the scale a simple task.

APPLICATIONS

- Material handling
- Inventory management
- Parts distribution
- Warehousing
- Auditing
- Bag filling

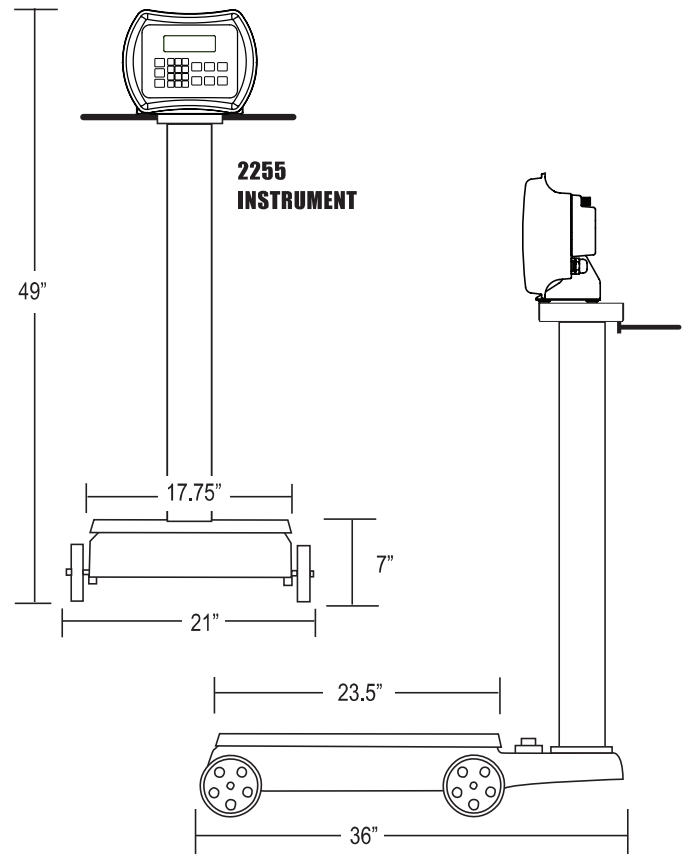
FEATURES

- Sturdy cast iron base, lever system, platform and wheels provide years of accurate service.
- Made for easy portability with cast iron wheels and new, non-slip, ergonomic handle.
- Battery or AC power.
- Fairbanks' low-power technology enables batteries to last up to 55 hours of continuous use.
- 1.0" backlit LCD is easy to read in most lighting conditions.
- NTEP and MC approved for "Legal for Trade" applications.

SPECIFICATIONS

Capacity	1000 x 0.2 lb
Display	1.0" tall, 6-digit, green backlit LCD
Enclosure	ABS plastic enclosure NEMA 1 rated
Keypad	Full numeric, with tactile feedback
Push-button keys	0-9, Decimal, Enter, ID/Left arrow, Right arrow, Menu, Zero, Print, Units, Tare, On/Off, B/G Net
Units	lb, kg, oz, g, custom
Communications	COM 1 - RS232, RS422, RS485 COM 2 - RS232, RS422, RS485, 20 mA External - DB9
Power	AC or 5 "D" cell batteries
Approvals	NTEP CC# 92-110, MC #AM-5720

DIMENSIONS (in inches)



QuickFacts™

Models and specifications subject to change without notice. Printed in the USA.
© Fairbanks Scales Inc.
www.Fairbanks.com

Call toll-free for the Fairbanks representative nearest you:
(800) 451-4107