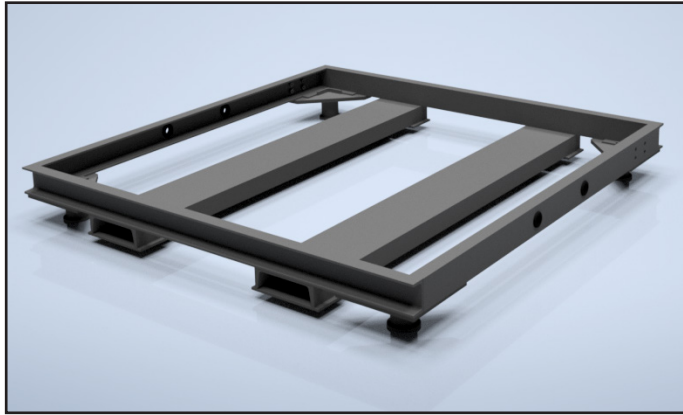


FAIRBANKS®

AEGIS® PORTABILITY FRAME FOR AEGIS® MILD STEEL FLOOR SCALES



Fairbanks' Aegis Portability Frame offers a safe and cost-effective way to bring mobile flexibility to floor scale weighing operations.

Designed with integrated fork channels, the frame provides an easy way to move your scale from location-to-location via forklift.

The frame's durable, all carbon steel construction ensures years of dependable use, even in the most rugged environments.

OPTIONAL INSTRUMENT PILLAR

Fairbanks sturdy, mild steel Instrument Pillar bolts securely to the Aegis Portability Frame, promoting simple relocation of the entire scale system to a new location without any disassembly or complicated process.



SPECIFICATIONS

Capacities 1,000 to 10,000 lbs

Sizes 4' x 4' or 5' x 5'

Construction Type A36 industrial-grade carbon steel

Finish Gray acrylic enamel paint

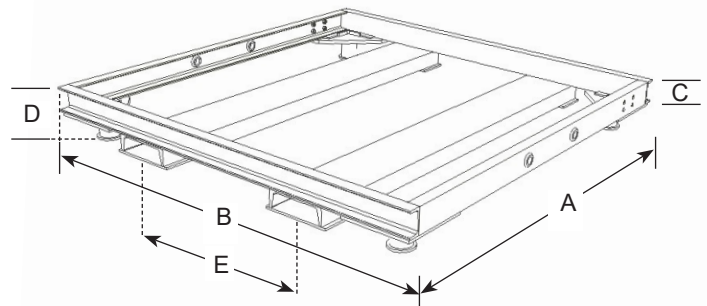
Frame weight 200 lbs - 4' x 4'

235 lbs - 5' x 5'

Options48" Pillar with instrument mounting bracket

Note: Aegis Floor Scale sold separately.

DIMENSIONS



Dimensions	Frame for 4' x 4' Aegis MS	Frame for 5' x 5' Aegis MS
A	51.50"	63.50"
B	51.50"	63.50"
C	3.50"	3.50"
D	6.25"	6.25"
E	23.00"	23.00"
Fork channels	5.91" x 1.88"	5.91" x 1.88"

QuickFacts™

Models and specifications subject to change without notice.
Printed in the USA. © Fairbanks Scales Inc.

Call toll-free for the Fairbanks representative nearest you:

(800) 451-4107

Internet Address: <http://www.Fairbanks.com>