

FAIRBANKS®

REMOTE DISPLAY 1601 SERIES



Fairbanks Scales' high-intensity LED remote display is designed for high-readability in all lighting conditions with viewing distances up to 75 feet.

DESIGNED TO WITHSTAND WASHDOWN ENVIRONMENTS

Fairbanks' 1601 Series remote displays are made to perform well as a desktop or wall mount remote display and are housed in a NEMA 4X rated enclosure to handle washdown environments.

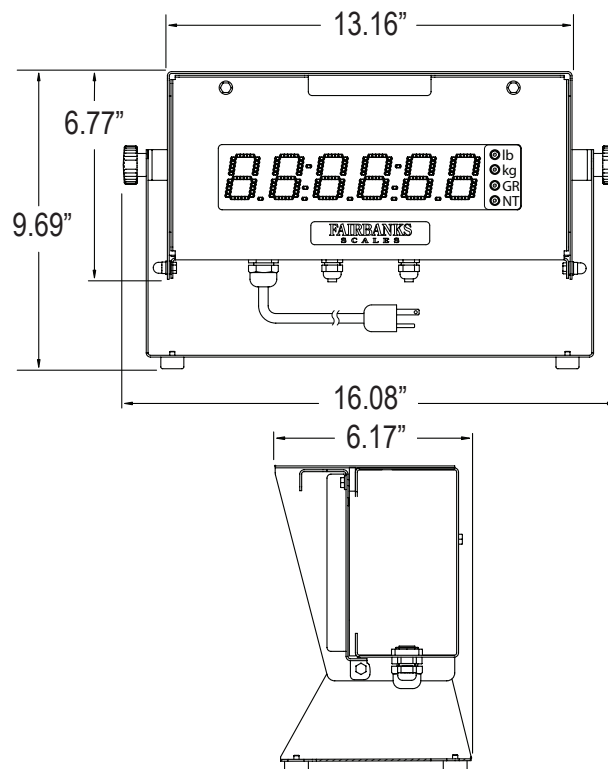
1601 FEATURES

- Bright red, high-intensity LED with 1.5" characters.
- Auto intensity sensor that automatically adjusts display brightness for existing lighting conditions.
- Gross and Net legends (GR-NT).
- LB and KG legends.
- Standard interfaces include RS232, RS485 and 20mA (active or passive). Wireless RS232 accessory sold separately.
- Programmable learning interface that works with all known scale instruments with a continuous output.
- Time and date capability (standard).
- Optional temperature module.

SPECIFICATIONS

Display type	High-intensity, light emitting diode (LED)
Digit color/size	Bright red, 1.5"
LED life expectancy	More than 11 years
Time/Date functions	Standard
Power	117 VAC +/- 15% 50/60 Hz, 100 mA
Storage Temperature	0° F to 150° F
Interface options	RS232 RS485 20mA (active or passive)
Enclosure material	Stainless steel, suitable for washdown
Enclosure rating	NEMA 4X
Viewing distance	Up to 75 feet
Mounting options	Deck or wall mount (swivel bracket included)
Humidity	0% to 100% non-condensing
Shipping weight	18 lbs
Accessories	Optional temperature module; Swivel Bracket (included with purchase); Wireless RS232

DIMENSIONS



QuickFacts™

Models and specifications subject to change without notice.
Printed in the USA. © Fairbanks Scales Inc.

Call toll-free for the Fairbanks representative nearest you:

(800) 451-4107

Internet address: <http://www.Fairbanks.com>

05/23 100435