

FAIRBANKS®

BTP-L540 DIRECT THERMAL LABEL PRINTER



The BTP-L540 Direct Thermal Label Printer delivers optimal performance for today's on-demand desktop labeling applications.

FLEXIBLE PRINTING

The BTP-L540 features a new-generation printhead and enhanced controller board, motor and power supply, enabling print speeds of up to four inches per second. A full five-inch media roll means fewer label changes. The BTP-L540 is compatible with Windows® printer utilities. Parallel, serial and USB interfaces make this flexible, reliable and affordable printer a smart investment.

GREAT IN A VARIETY OF APPLICATIONS

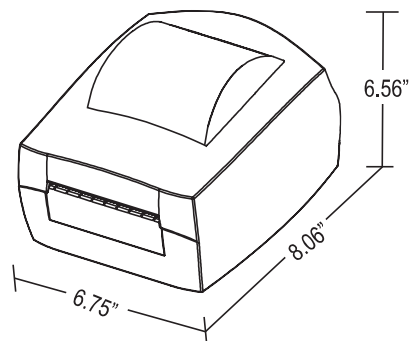
The BTP-L540 Thermal Label Printer integrates easily into a variety of low-volume printing applications including:

- Shipping/Receiving
- Warehouse shelf labeling and inventory control
- Hospitals and healthcare; medical laboratories
- Retail product marking
- Transportation/Logistics
- E-commerce postage

SPECIFICATIONS

Humidity	20% to 90% non-condensing
Power requirements	110/240 VAC, 50/60 Hz
Enclosure	ABS casing
Physical dimensions	Width: 6.75"; Depth: 8.06", Height 6.56", Weight: 3.53 lbs.
Print speed	5.875" per second (maximum)
Print resolution	203 dots per inch
Print width	4.125"
Print length	39.375"
Label width	0.75" to 4.75"
Label length	0.375" to 39.375"
Label characteristics	Max. Roll Size: 5" Thickness (label & liner): 0.002" to 0.007"
Label style	Roll, continuous, or black mark
Label type	Direct thermal
Bar code specifications	Linear Bar Codes; Code 39, Code 128, EAN8, EAN 13, UCC/EAN-128, Code 93, Codabar, Interleaved 2 of 5
Approval	UL

DIMENSIONS



QuickFacts™

Models and specifications subject to change without notice. Printed in the USA.
© Fairbanks Scales Inc.

Call toll-free for the Fairbanks representative nearest you:

(800) 451-4107

Internet Address: <http://www.Fairbanks.com>