

FAIRBANKS[®]

S C A L E S



1600T SERIES

REMOTE DISPLAY WITH INTEGRATED TRAFFIC LIGHT

Combine traffic control and weight display in a single device to save time, space, and money.

1600T SERIES

REMOTE DISPLAYS WITH INTEGRATED TRAFFIC LIGHT

Weighing Solutions for the World Since 1830

Fairbanks.com



DESIGNED TO WITHSTAND THE ELEMENTS

Fairbanks Scales' 1605T Series remote displays are made to perform in the harsh, real-world environments that truck scale applications demand and it is compatible with every known scale instrument that has continuous output capability.

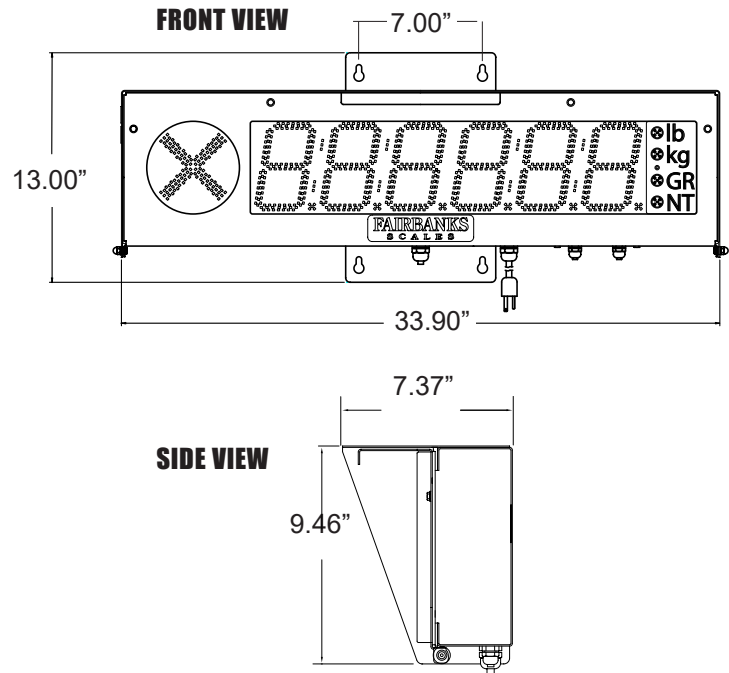
FEATURES

- Bright red, high-intensity LED with 5.0" characters.
- Large 5" diameter Green dot/Red X
- NEMA 3 rated enclosure for outdoor use.
- Gross and Net legends (GR-NT).
- LB and KG legends.
- Display interfaces include RS232, RS485 and 20mA (active or passive). Wireless RS232 accessory sold separately.
- Programmable learning interface.
- Time and date capability (standard).
- Optional temperature module.

SPECIFICATIONS

Display type	High-intensity, light emitting diode (LED)
Digit color/size	Bright red, 5.0"
Traffic light color/size	5" diameter Green dot/Red X
LED life expectancy	More than 11 years
Time/Date functions	Standard
Power	117 VAC +/- 15% 50/60 Hz, 100 mA
Storage Temperature	0° F to 150° F
Interface options	RS232 RS485 20mA (active or passive)
Enclosure material	Painted steel, black, powder coat
Enclosure rating	NEMA 3
Viewing distance	Up to 300 feet
Mounting options	Pole or wall mount (see accessories below)
Humidity	0% to 100% non-condensing
Shipping weight	35 lbs
Accessories	Optional temperature module, Pole and pole mounting hardware, Wireless RS232, Relay box for traffic light control

DIMENSIONS



Call toll-free for the representative nearest you:

(800) 451-4107

Call between 8:00 a.m. – 5:00 p.m. Central Time

Corporate Headquarters: 6800 W. 64th Street, Overland Park, Kansas 66202

(816) 471-0231 Internet Address: <http://www.Fairbanks.com>

