

FAIRBANKS®

FB2255 SERIES IP69K INSTRUMENT



Fairbanks' FB2255 Series IP69K Instrument has a full-numeric keypad and offers the highest ingress protection rating available. This instrument is designed for food processing, chemical or any application with heavy washdown needs.

PERFORMANCE APPLICATIONS

The FB2255 Series is designed for optimal operation in a wide variety of applications including:

- Heavy Washdown
- Food Processing
- Batching
- System Integration
- Process Control
- Filling

FEATURES

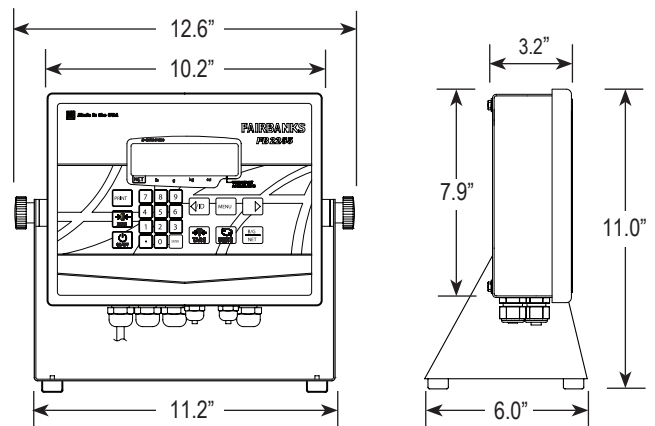
- Full-numeric keypad for ID entry and easy configuration.
- IP69K compliance ensures dry, reliable instrumentation in high-pressure, high-temperature washdown environments.
- Combine FB2255 options and accessories to create the perfect instrument for any industrial application.
- Tailor your FB2255 using customer units, custom ticket formats and programmable RS232 output.
- Convert any scale into a counting scale by activating the FB2255's piece counting feature.

SPECIFICATIONS

Display	1.0" high, 6-digit, green backlit LCD
Enclosure	304 stainless steel, IP69K rated
Pushbutton keys	0-9, Decimal, Enter, ID/Left Arrow, Right Arrow, Menu, Zero, Print, Units, Tare, On/Off, B/G Net
Units	lb, kg, oz, g, lb-oz or custom
Capacity	Selectable 0 to 999,999
Graduation size	0.0001 to 50
Load cells	Up to eight 350Ω cells or 16 1000Ω cells
Power requirements	80-260 VAC 50/60 Hz
Mounting	Desk / Wall mount stand (all models)
Output	COM 1 (standard): RS232, RS422, RS485; COM 2 (standard): RS232, RS422, RS485, 20 mA
Accessories	4-20 mA module PROFIBUS-DP DeviceNet ControlNet Ethernet/IP
Approvals	NTEP CC# 09-023, MC #AM-5720, ETL

IP69K STAINLESS STEEL ENCLOSURE

(Stainless steel bracket included)



QuickFacts™

Models and specifications subject to change without notice.
Printed in the USA. © Fairbanks Scales Inc.

Call toll-free for the Fairbanks representative nearest you:

(800) 451-4107