



# LIVESTOCK SCALE BARS

PRECISION WEIGHING FOR LIVESTOCK OPERATIONS



TWO SCALE BARS AND  
CHUTE MOUNTABLE  
EXTERNAL JUNCTION BOX

- Designed for livestock chute integration
- Durable construction for harsh environments
- Easy installation and setup
- Accurate, stable weighing performance

## The Right Solution for Livestock Weighing

Fairbanks Livestock Scale Bars are designed to deliver accurate, dependable weighing directly beneath livestock chutes. Built for rugged agricultural environments, these systems improve operational efficiency while ensuring consistent weight data you can trust.

## Versatility and Ease of Integration

Each system is engineered for seamless installation into new or existing livestock handling setups. With simple mounting and flexible configuration options, scale bars integrate easily beneath chutes, minimizing downtime and installation complexity.



THE LIVESTOCK SCALE BARS IN THE FIELD CONNECTED TO A FAIRBANKS' FB2255 INSTRUMENT.

## Livestock Scale Bars Installation

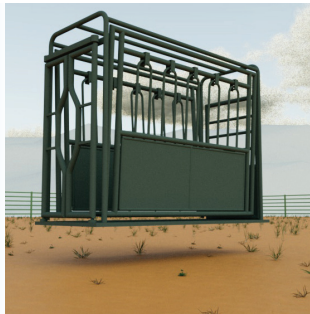
1

**Prepare the Chute** Position the livestock chute on a firm, level surface in the desired location. Ensure the chute is stable and ready for the Fairbanks Livestock Scale Bars to be installed beneath it.



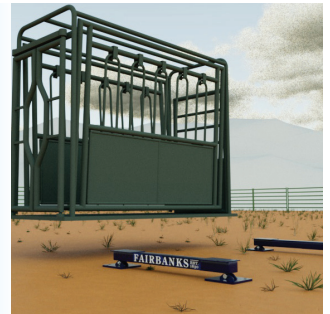
2

**Lift the Chute** Using appropriate lifting equipment, raise the chute to create sufficient clearance underneath for easy access during installation.



3

**Position the Scale Bars** Place the Fairbanks Livestock Scale Bars on the ground next to the lifted chute. Align them parallel and properly spaced to fit the chute's structure.



4

**Slide Bars Under the Chute** Carefully slide the scale bars directly beneath the raised chute and center them for even weight distribution.



5

**Lower and Attach the Chute** Slowly lower the livestock chute onto the positioned scale bars. Align and securely attach the bars to the chute to create a stable integrated system.



6

**Connect and Test the System** Attach the wiring from the scale bars to the instrument. Perform a final inspection, calibrate the system, and test with known weights to ensure accurate operation.





# LIVESTOCK SCALE BARS

PRECISION WEIGHING FOR LIVESTOCK OPERATIONS

WEIGHING SOLUTIONS FOR THE WORLD

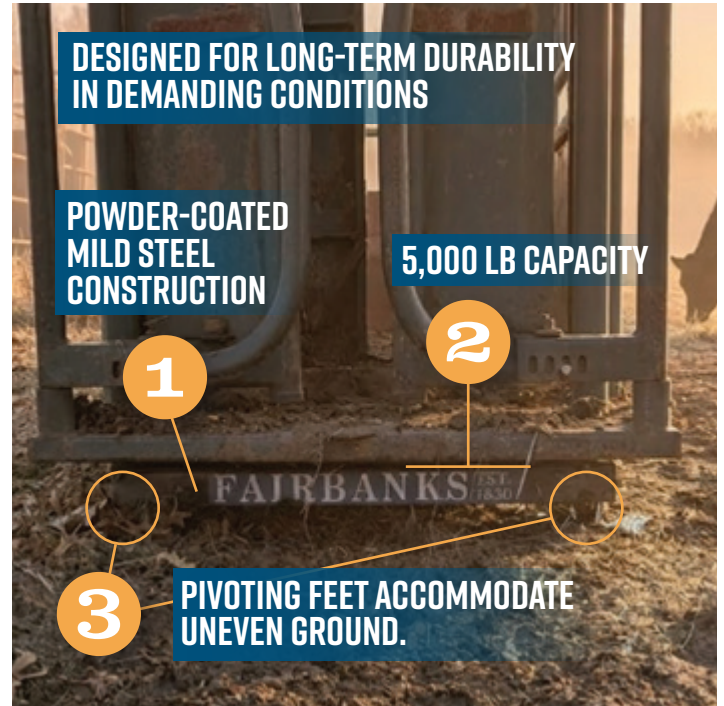
## Available Custom Options:

- **Standard Homerun Cable** Available in various lengths to connect the junction box to the selected instrument.
- **Rodent-Resistant SS Armored Homerun Cable** Upgraded cable with protective armor to help prevent rodent damage.
- **Screw Terminal Quick Disconnect** Allow users to easily disconnect the instrument when not in use.



## INSTRUMENT PAIRING

The Fairbanks FB2255 is the ideal instrument for livestock scale bars, purpose-built for the livestock industry with advanced filtering and convenient battery option.



DESIGNED FOR LONG-TERM DURABILITY IN DEMANDING CONDITIONS

POWDER-COATED MILD STEEL CONSTRUCTION

5,000 LB CAPACITY

1

2

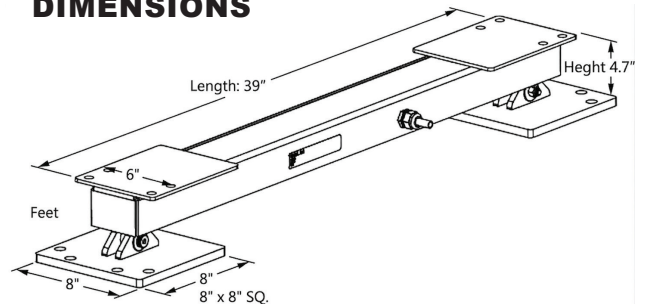
3

PIVOTING FEET ACCOMMODATE UNEVEN GROUND.

## SCALE BAR SPECIFICATIONS

Total System Capacity . . . . .	5,000 lbs
Bar Length . . . . .	39"
Bar Width . . . . .	6"
Height (Including Installed Feet) . . . . .	4.7"
Upper Mounting Plate . . . . .	8" x 6"
Construction . . . . .	Mild Steel
Finish . . . . .	Powder Coated, Fairbanks Blue
Foot Assembly . . . . .	8" Square

## DIMENSIONS



## LOAD CELL SPECIFICATIONS

Load Cell Capacity . . . . .	2,500 lbs
Load Cell Construction . . . . .	Nickel Plated, Alloy Steel, Single-Ended, Shear Beam*
Load Cell IP Rating . . . . .	IP67, Environmentally Sealed
Load Cell Output . . . . .	3mV/V ± 0.25%
Safe Overload . . . . .	150%
Safe Sideload . . . . .	100%
Output Resistance . . . . .	350Ω ± 3Ω
Temperature Range . . . . .	-10°C to 50°C (14°F to 122°F)
FM Approved . . . . .	Yes
Load Cell Approvals . . . . .	NTEP**

\*Stainless Steel load cells are available. Contact your local Fairbanks representative for details.  
\*\*While we use NTEP-approved load cells for maximum precision, the overall scale system is not certified for 'Legal for Trade' applications.

Call toll-free for the representative nearest you:

**(800) 451-4107**

Call between 8:00 a.m. – 5:00 p.m. Central Time

Corporate Headquarters: 6800 W. 64th Street, Overland Park, Kansas 66202

(816) 471-0231 fairbanks.com