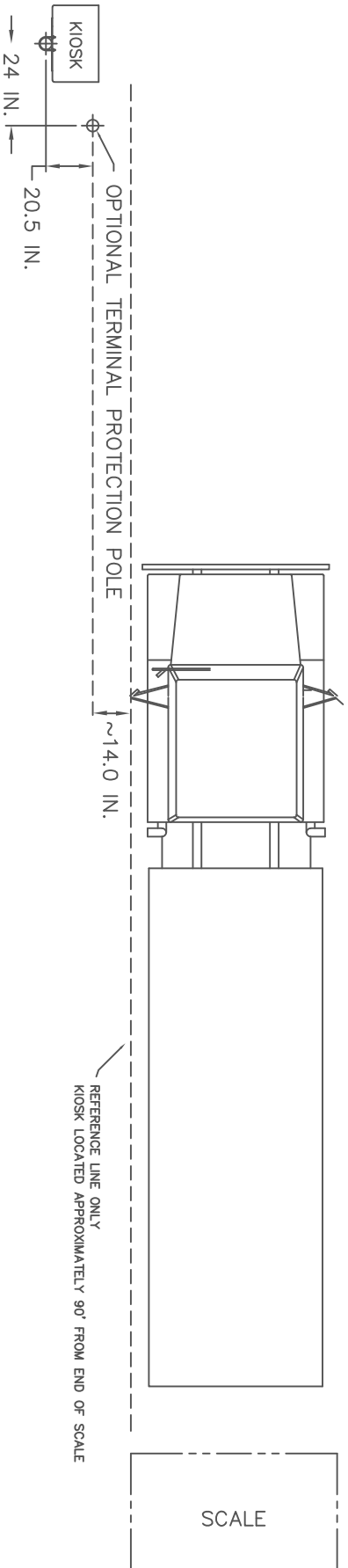


OVERHEAD VIEW OF SITE

DRAWING NOT TO SCALE



- NOTES:
1. MUST HAVE 20 AMP 117VAC DEDICATED POWER SOURCE TO TERMINAL.
 2. ALL DIMENSIONS ARE FOR REFERENCE ONLY.

| REVISONS | | DATE | APPROVED |
|----------|-------------|------|----------|
| LTR | DESCRIPTION | | |

| | | | | |
|---|--|--------------|----------------------|--|
| MATERIAL PARTS LIST FOR THIS DRAWING | | DATE | Pairbanks Scales | |
| MATERIAL | | DR. D | REFERENCE ONLY | |
| FINISH | | 07-28-2022 | DRAWING NO. LOCATION | |
| NEXT ASSY. USED IN APPLICATION | | APP. | SCALE NONE | |
| THE MATERIAL AND INFORMATION CONTAINED HEREIN IS CONFIDENTIAL AND IS THE PROPERTY OF THE COMPANY. IT IS TO BE KEPT UNCLASSIFIED AND NOT TRANSFERRED OR REPRODUCED WITHOUT THE PERMISSION OF AIRBORNE. | | SHEET 1 OF 1 | | |