

FOUNDATION REINFORCING SCHEDULE					
ASTM 615 - GRADE 60					
MARK	QTY	SIZE	LENGTH		WEIGHT (LBS)
AR1	24	#4	11'-6"	11'-6"	184
AR2	24	#4	9'-6"	9'-6"	152
VR1	48	#4	3'-6"	2'-6" 1'-0"	112
HR1	40	#5	11'-6"	11'-6"	480
HR2	120	#4	2'-6"	2'-6"	200
HR3	20	#4	11'-6"	11'-6"	154
TOTAL WEIGHT					1282

**GENERAL NOTES**

- Foundation shown is designed for soils with a minimum bearing capacity of 3000 psf and adequate drainage. If soil conditions do not meet these requirements, adjust foundation or soil as required.
- In areas of the country where there is severe freezing, increase the depth of the foundation so that the bottom extends below the frost line, or provide a minimum of 12" free draining granular material to prevent frost heave.
- N.I.S.T. H-44 requires that on the entrance and exit ends of a vehicle scale, there shall be a straight approach that is:
  - At least the width of the platform.
  - The length of at least one-half the length of the platform but not required to be more than 40ft, and
  - Any slope in the remaining portion of the approach shall ensure ease of vehicle access, ease for testing purposes, and drainage away from the scale.
- N.I.S.T. H-44 requirements and local weights and measures regulations may require installation parameters somewhat different than illustrated on this plan. In order to insure compliance, consult the local Fairbanks service office prior to installation.
- Refer to manual for all installation and operation instructions.
- Fairbanks does not recommend using foundation or ground installed guide rails along the sides of the truck scale platform. Damage may occur to the scale if the vehicle hits the guide rail, transferring damaging forces to the platform and the checking system. Usage of this style guide rail will void the product warranty. If guide rails are necessary, please use fairbanks accessory rub rails.
- A minimum of 24" of clearance is required on both sides of the scale in order to access load cells, electronics, and checking hardware.

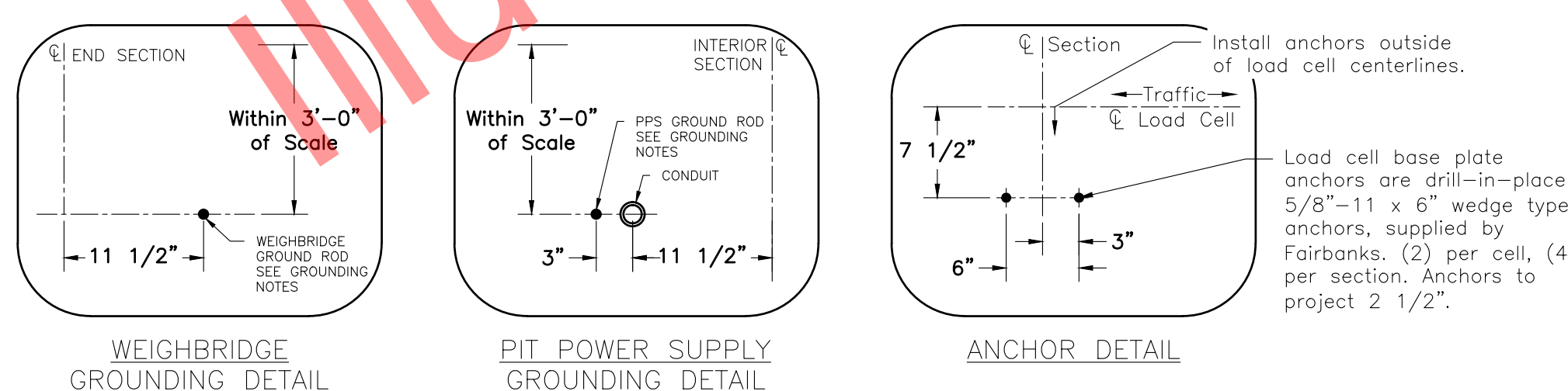
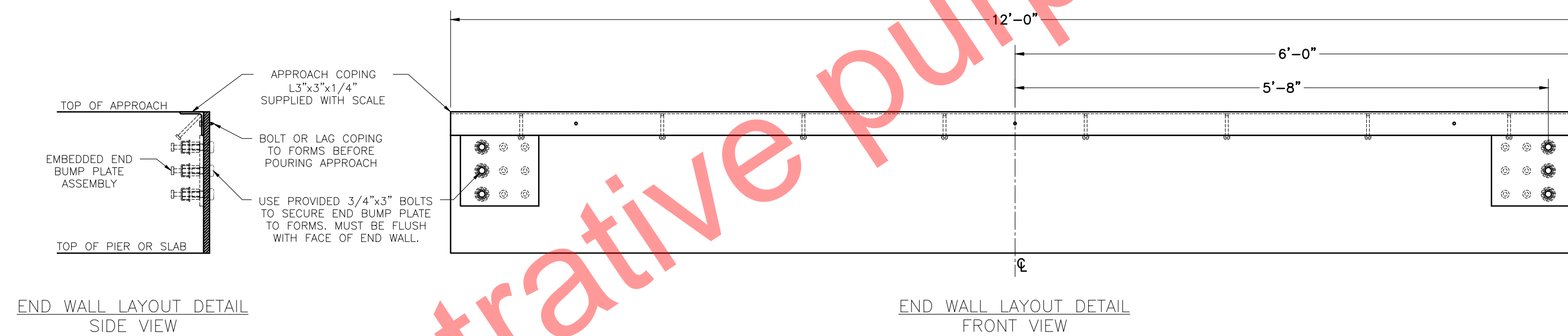
FOUNDATION CONCRETE	
3500 PSI MINIMUM	
LOCATION	QTY (CU. YDS)
PIERS	10
WASHOUT AT 4" THICKNESS	9.1
APPROACHES	3.5
TOTAL CONCRETE	
	22.6
MINIMUM EXCAVATION	
	19.1

**REINFORCING STEEL NOTES**

- Reinforcing steel are to be ASTM 615, Grade 60 or equal. Bend bars cold to conform with required details. Rebar shall be free of all mud, debris, cement grout, loose rust, grease and oil that would impair bonding. Space bars properly and tie securely in position before pouring concrete. Tack welding of bars is prohibited.
- Rebar cover:
  - Concrete cast against earth: 3"
  - Formed concrete exposed to earth or weather: 2"
  - Cover at termination end of rebar: 3"

**GROUNDING AND ELECTRICAL NOTES:**

- Install (2) 3/4" x 8'-0" long ground rods (to project 4"). Two ground rods are supplied with scale.
  - One for grounding intalogix power supply, position to match location of conduit for cable to scale indicator (may be located on any pier adjacent to mounted PPS).
  - One for grounding scale weighbridge, power supply ground must be separate from weighbridge ground.
- Install minimum 1 1/2" conduit for cable from junction box to scalehouse. Conduit to extend 2" above the top of the pier (not supplied by fairbanks scales).
- If alternating current (ac) is required near the scale, it shall not run closer than 24" in parallel with any load cell or other signal carrying cable.



THE INFORMATION CONTAINED HEREIN AND IN ANY SPECIFICATIONS IS UNCLASSIFIED AND CONFIDENTIAL PROPERTY OF FAIRBANKS SCALES. DO NOT USE, COPY, REPRODUCE, TRANSMIT, OR DISCLOSE WITHOUT WRITTEN PERMISSION. FAIRBANKS SCALES ASSUMES NO RESPONSIBILITY FOR ALTERATIONS TO THIS DOCUMENT AFTER ORIGINAL TRANSMISSION.

UNLESS OTHERWISE SPECIFIED, DIMENSIONS IN FIGURES AND TABLES ARE AS FOLLOWS:  
 FRACTIONS ARE AS FOLLOWS:  
 1/8" = 1/8"  
 1/4" = 1/4"  
 3/8" = 3/8"  
 1/2" = 1/2"  
 5/8" = 5/8"  
 1" = 1"  
 1 1/2" = 1 1/2"  
 2" = 2"  
 3" = 3"  
 4" = 4"  
 6" = 6"  
 8" = 8"  
 10" = 10"  
 12" = 12"  
 18" = 18"  
 24" = 24"  
 30" = 30"  
 36" = 36"  
 48" = 48"  
 60" = 60"  
 72" = 72"  
 96" = 96"  
 120" = 120"

80' x 11'  
 Talon HVX Steel Deck Undermount  
 100,000lb CLC, 150ton Capacity

**FAIRBANKS**  
 SCALES

SCALE: NTS DRAWN: JNO CHECKED: [ ]  
 SHEET: 1 OF 1 DATE: 11/14/14 APPROVED: [ ]  
 DRAWING NUMBER: D172180A-AP

MODEL: PLT-6020-100-A-011-080