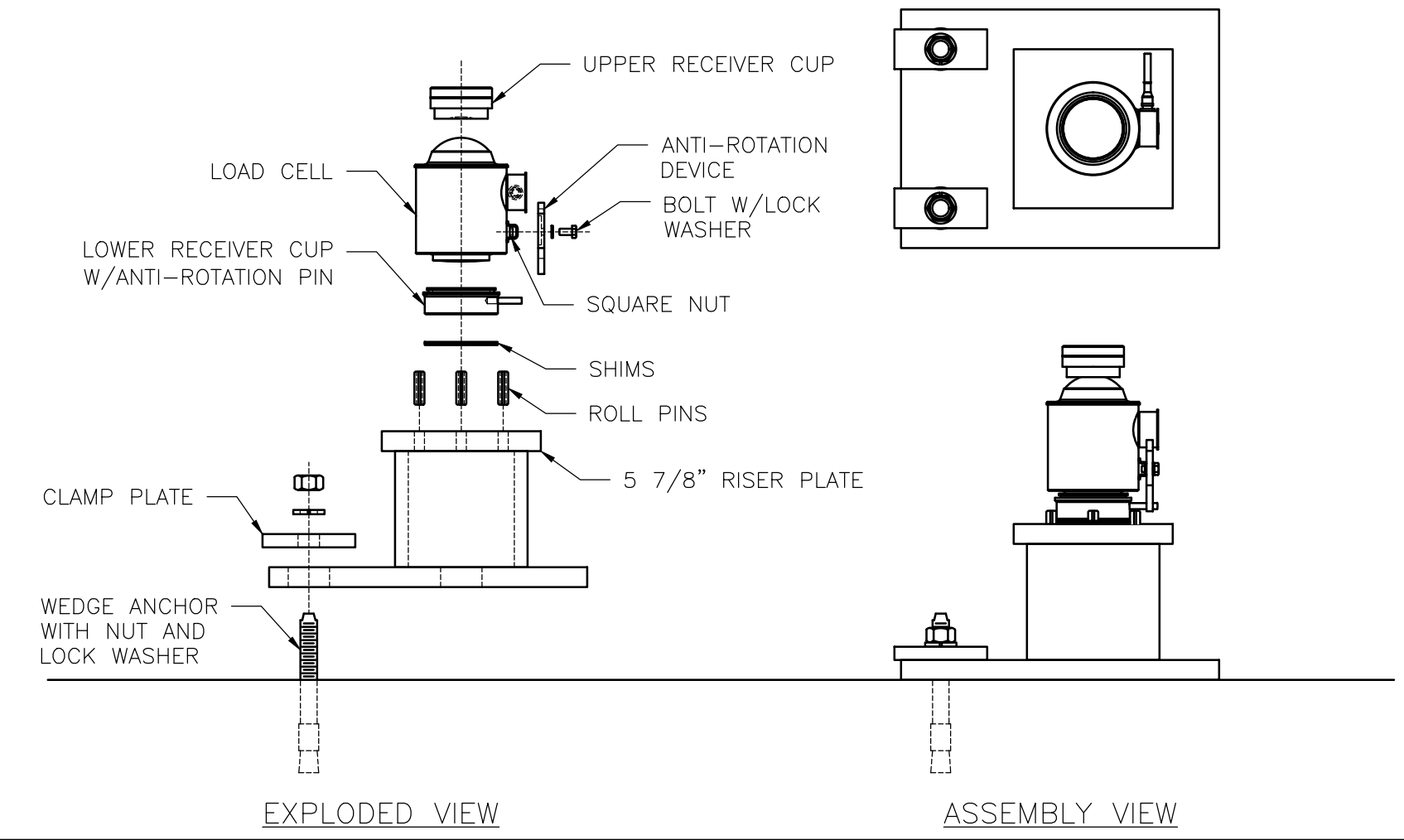
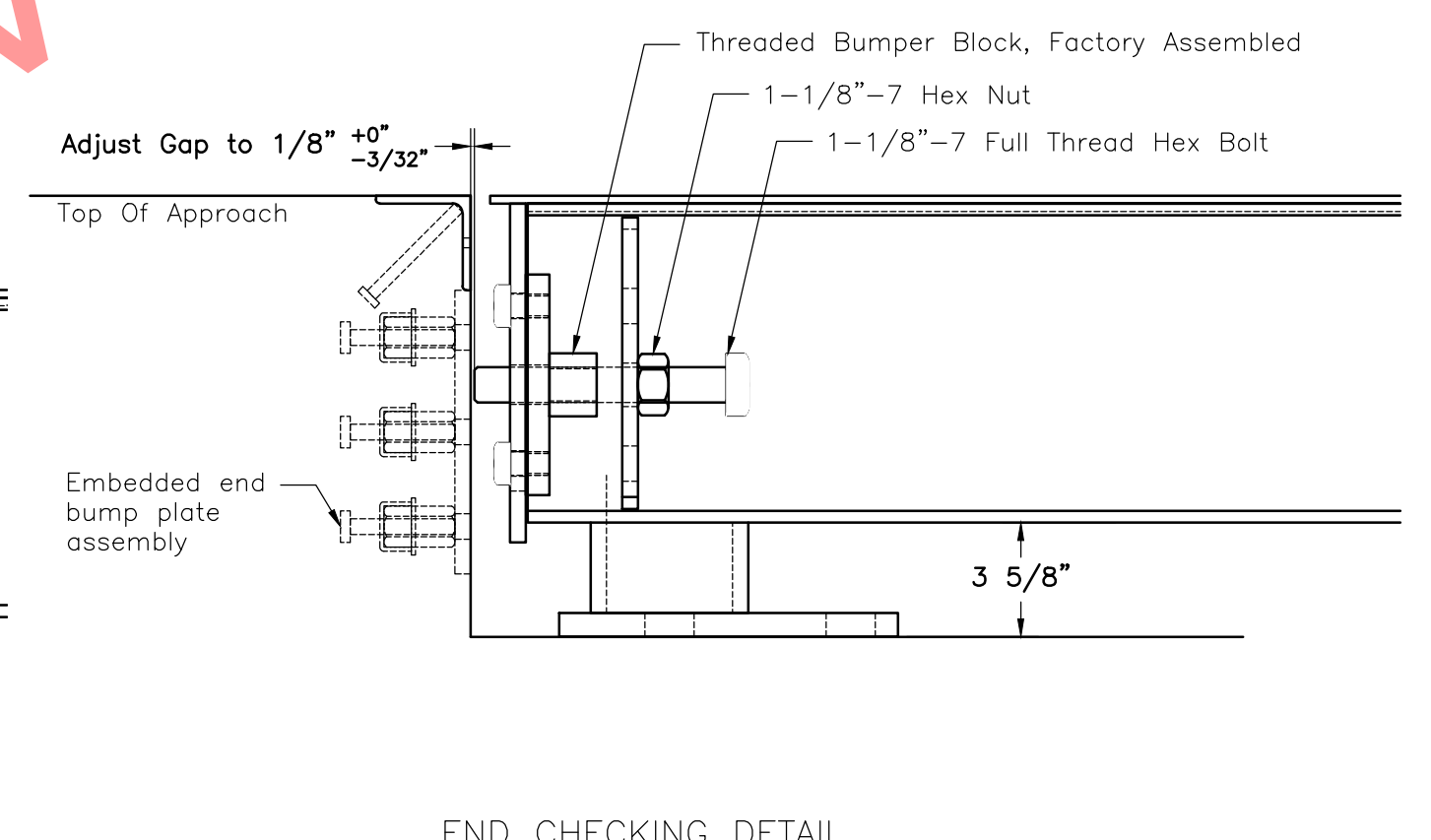
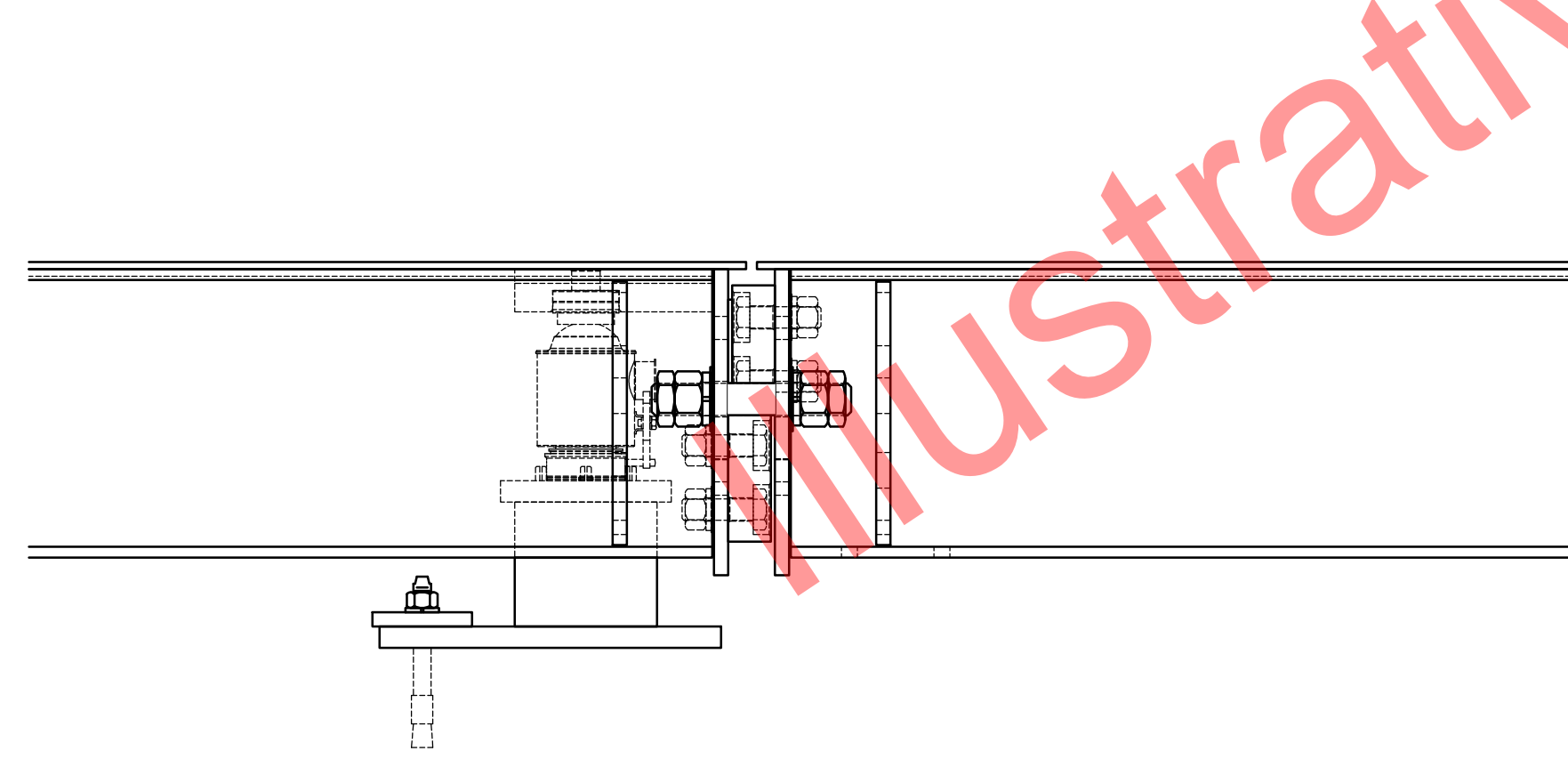


- GENERAL NOTES**
- Excavation, foundation forms, rebar, and concrete to be furnished by contractor or customer.
 - Foundation shown is designed for soils with a minimum bearing capacity of 1500 psf and adequate drainage, if soil conditions do not meet these requirements, adjust foundation or soil as required. The design is adequate for a highway surcharge of 300psf.
 - Work from centerlines when erecting forms and placing embedded items. Place anchor bolts within $\pm 1/8"$ of positions indicated in drawing.
 - In areas of the country where there is severe freezing, increase the depth of the foundation so that the bottom extends below the frost line, or provide a minimum of 12" free draining granular material to prevent frost heave.
 - N.I.S.T. H-44 requires that on the entrance and exit ends of a vehicle scale, there shall be a straight approach that is:
 - At least the width of the platform.
 - The length of at least one-half the length of the platform but not required to be more than 40ft, and
 - Not less than 10ft of any approach adjacent to the platform shall be constructed of concrete or similar durable material to ensure that this portion remains smooth and level and in the same plane as the platform. Any slope in the remaining portion of the approach shall ensure ease of vehicle access, ease for testing purposes, and drainage away from the scale.
 - N.I.S.T. H-44 requirements and local weights and measures regulations may require installation parameters somewhat different than illustrated on this plan, particularly in regard to pit depth and approaches. In order to insure compliance, consult the local Fairbanks service office prior to installation.
 - Refer to manual for all installation and operation instructions.



- GROUNDING AND ELECTRICAL NOTES:**
- Install (2) 3/4" x 8'-0" long ground rods to project 4" Tie ground rods to slab rebar. Two ground rods are supplied with scale:
 - One for grounding Intaloxig Power Supply. Position the ground rod to match the chosen location for the PPS. The PPS may be located at any section.
 - One for grounding scale weighbridge. Place within 3ft of a main beam, at any convenient location. The power supply ground must be separate from weighbridge ground, and should be at least 4'-0" from power supply ground.
 - Install minimum 1 1/2" conduit for cable from junction box to scalehouse. Suitable conduit for low voltage conductor shielded cable must pass through the wall at any point above pier tops that is convenient. Conduit to extend a minimum of 2" beyond the surface. Conduit is not supplied from the factory.
 - If alternating current (AC) is required near the scale, it shall not run closer than 36" in parallel with any load cell or other signal carrying cable.

THE INFORMATION CONTAINED HEREIN AND IN ANY ACCOMPANYING DOCUMENTS IS THE PROPERTY OF FAIRBANKS SCALES, INC. AND IS TO BE REPRODUCED WITHOUT WRITTEN PERMISSION. FAIRBANKS SCALES ASSUMES NO RESPONSIBILITY FOR ALTERATIONS TO THIS DOCUMENT AFTER ORIGINAL TRANSMISSION.

UNLESS OTHERWISE SPECIFIED, DIMENSIONS IN INCHES AND TOLERANCES ARE AS FOLLOWS:
 FINISHES: $\pm 1/16"$
 ANGLES: $\pm 1/16"$
 SCALES, PLATE DECIMAL: ± 0.009
 2-PLATE DECIMAL: ± 0.009
 HOLE DIMETERS: $\pm 1/32"$

70" x 10'
 Tolon HV Steel Deck Low Profile
 60,000lb CLC, 100ton Capacity

FAIRBANKS SCALES

SCALE: NTS	DRAWN: NMC	CHECKED:
SHEET: 1 OF 1	DATE:	APPROVED:
DRAWING NUMBER:	Illustrative - Sett	

MODEL: PLT-6021-090-A10-070