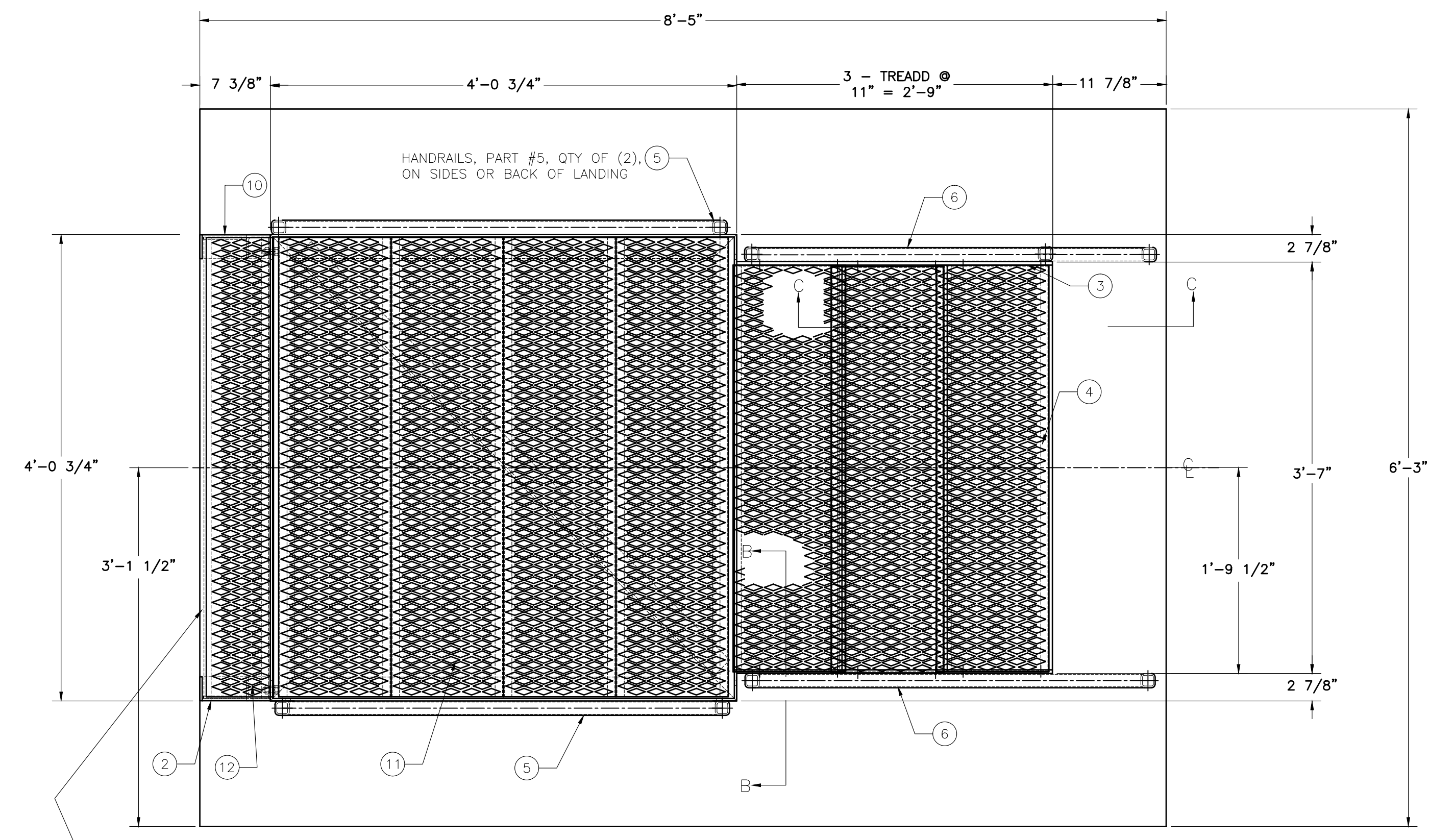


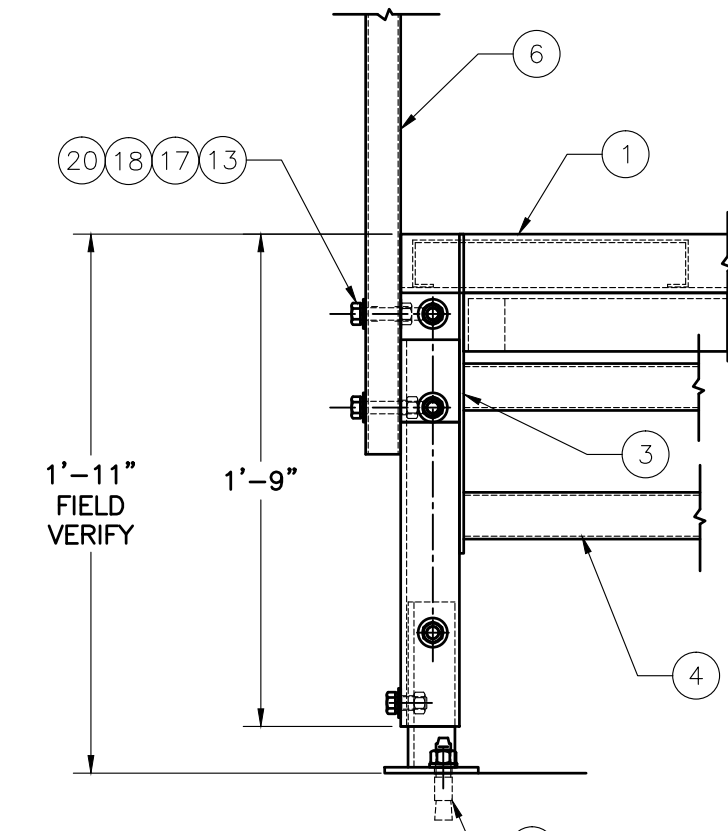
BILL OF MATERIAL

ITEM	QTY.	PART NO.	DESCRIPTION
1	1	153721	WDMT, LANDING FRAME W/BRACE
2	1	153761	WDMT, L.H. LANDING EXTENSION BRACKET
3	1	153730	WDMT, STRINGER, L.H.
4	3	153724	GRIP STRUT STAIR TREAD, 3'-6 1/2" LG, 5-DIAMOND, 11 3/4" W., 2" HT., #T-52014
5	2	153725	WDMT., HANDRAILS FOR LANDING FRAME
6	2	153726	WDMT., HANDRAILS FOR STAIRS
7	2	153727	ANGLE W/(1) HOLES, L4 X 3 X 1/4" X 4" LG.
8	4	153728	WDMT, BASE ANGLE
9	1	153732	WDMT, STRINGER, R.H.
10	1	153762	WDMT, R.H. LANDING EXTENSION BRACKET
11	4	153735	GRIP STRUT PLANK, 4'-0" LG., 5 DIAMOND, 14GA., 11 3/4" W., 2" HT.
12	1	153803	GRIP STRUT PLANK, 4'-0" LG., 3 DIAMOND, 7" W., 14GA., 2" HT.
13	18	54369	SS 1/2-13 X 1 1/4" CAP SCREW
14	12	73521	SS 1/2-13 X 2 1/2" CAP SCREW
15	16	54206	3/8" SS FLAT WASHER 18A
16	16	54759	3/8" SS SPRING LOCK WASHER
17	26	54221	1/2" SS FLAT WASHER
18	26	54770	1/2" SPRING LOCK WASHER SS304
19	16	54231	SS 3/8-16 HEX NUT
20	26	54253	SS 1/2-13 HEX NUT 304SS
21	6	153754	5/8" X 3 1/2" GALV'D RAWL STUD
22	8	106586	SS 3/8-16 X 1" HEX SCREW
23	4	153805	SS 3/8-16 X 2 1/2" CAP SCREW

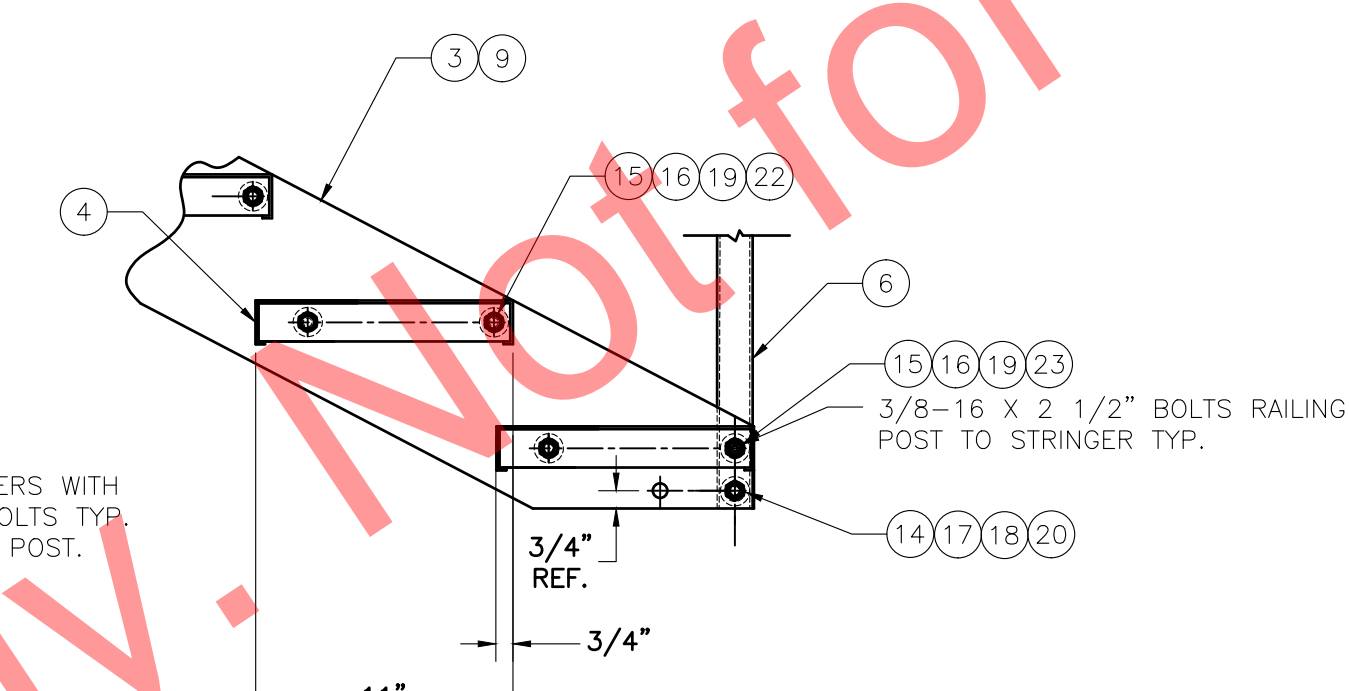


STAIR AND LANDING PLAN

LANDING EXTEN.-PART #2 SHOWN ON BACK OF LANDING, IT CAN ALSO BE INSTALLED ON EITHER SIDE OF LANDING.

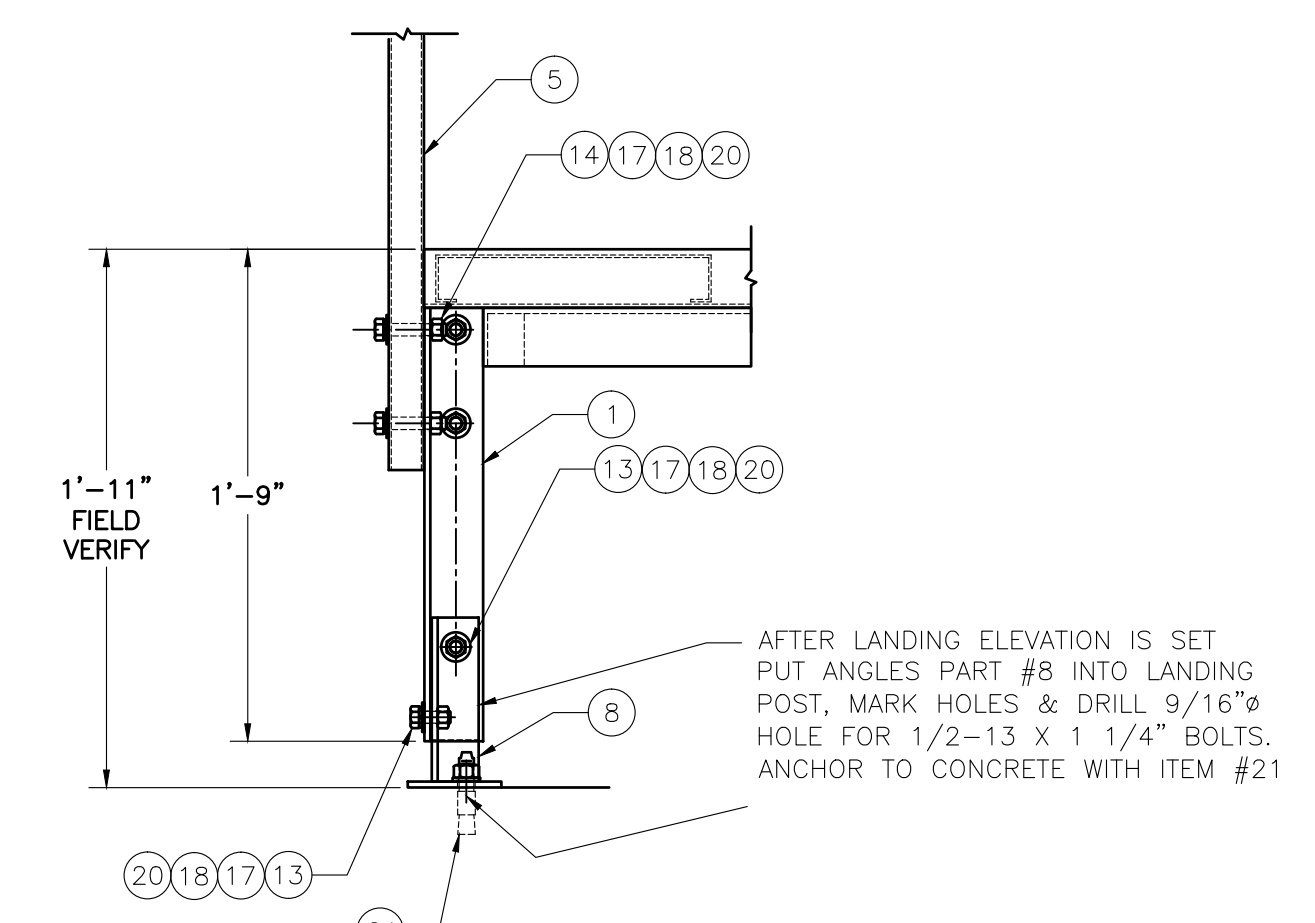


SECTION B-B



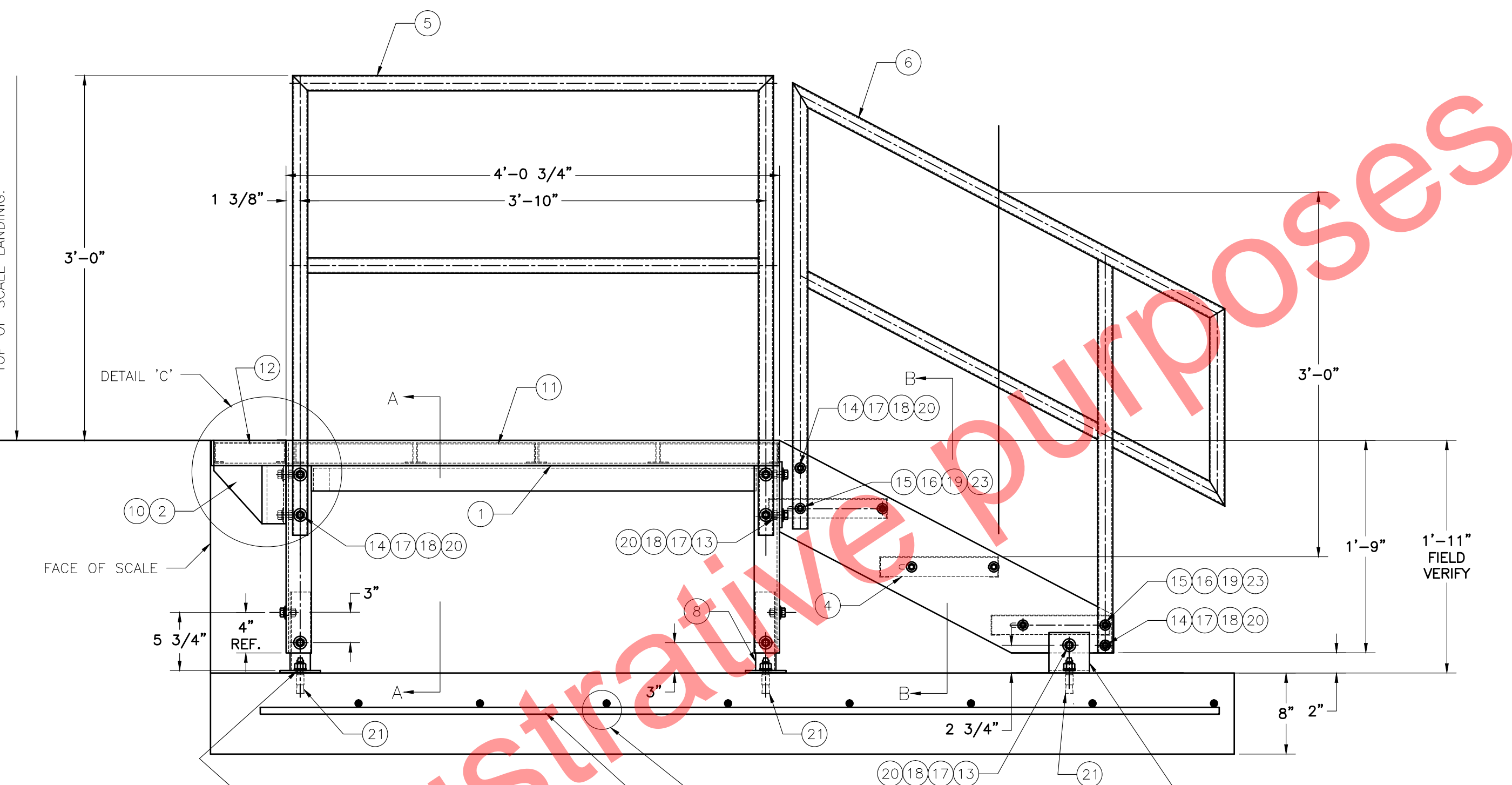
SECTION C-C

BOLT TO STRINGERS WITH 3/8-16 X 1" BOLTS TYP. EXCEPT RAILING POST.



SECTION A-A TYP. LANDING FRAME DETAIL

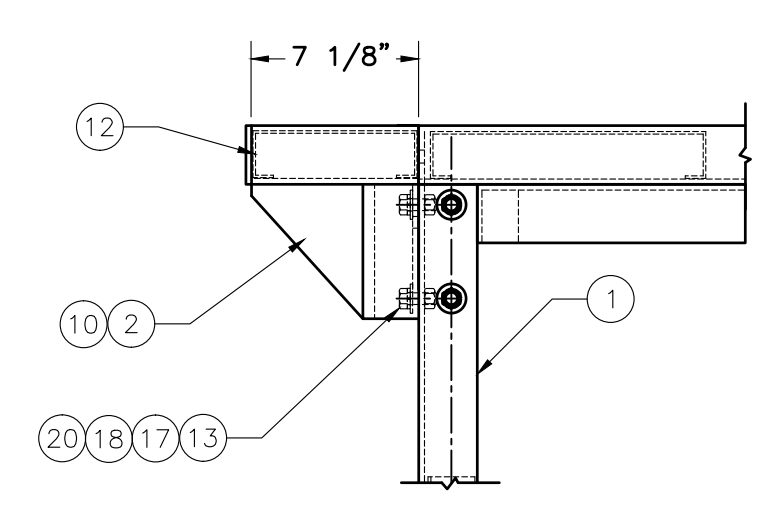
AFTER LANDING ELEVATION IS SET PUT ANGLES PART #8 INTO LANDING POST, MARK HOLES & DRILL 9/16" HOLE FOR 1/2-13 X 1 1/4" BOLTS. ANCHOR TO CONCRETE WITH ITEM #21



ELEVATION

ITEM #8, BASE ANGLE WDMT. BASE ANCHORED AFTER ELEVATION IS ESTABLISHED. FIELD DRILL 9/16" HOLES IN L2 X 2 & BOLT TO FRAME POSTS WITH 1/2" BOLTS. ANCHOR BASE PLATES TO CONCRETE WITH ITEM #21 TYP.

AFTER STRINGER ELEVATION IS SET, PUT ANGLE PART #7 AGAINST STRINGER MARK HOLE & DRILL 9/16" FOR 1/2-13 X 1 1/4" BOLTS (ITEM #13) ANCHOR TO CONCRETE WITH ITEM #21



DETAIL C

FOUNDATION CONCRETE REQUIREMENTS	
f <sub>c</sub> =4000 PSI	
LOCATION	QTY (CU. YDS)
BASE SLAB, 8" THICK	1.3 CU. YD.
TOTAL CONCRETE	1.3 CU. YD.
MINIMUM EXCAVATION	1.3 CU. YD.

FOUNDATION REINFORCING SCHEDULE					
ASTM 615 - GRADE 60					
MARK	QTY	SIZE	LENGTH	WEIGHT (LBS)	REMARKS
HR1	8	#4	5'-9"	31	
HR2	6	#4	7'-10"	31	
TOTAL WEIGHT				62	

REINFORCING STEEL NOTES:  
 1. REINFORCING STEEL SHALL BE FREE OF ALL MUD, DEBRIS, CEMENT GROUT, LOOSE RUST, GREASE, AND OIL.  
 2. TACK WELDING OF BARS IS PROHIBITED.

REVISIONS			
REV	BY	DATE	DESCRIPTION
A	LB	2/19/2013	REV'D PLATFORM W/DROP-IN TREAD DESIGN
B	LB	7/23/2013	REV'D PLATFORM DESIGN, REVISED MISC PARTS

SCALE STAIR & LANDING ASSEMBLY & DETAILS

FAIRBANKS

SCALE: 1/4" = 1'-0"  
 SHEET: 1 OF 1  
 DATE: 2/4/13  
 DRAWING NUMBER: D153720

CHECKED: RC  
 APPROVED: RC