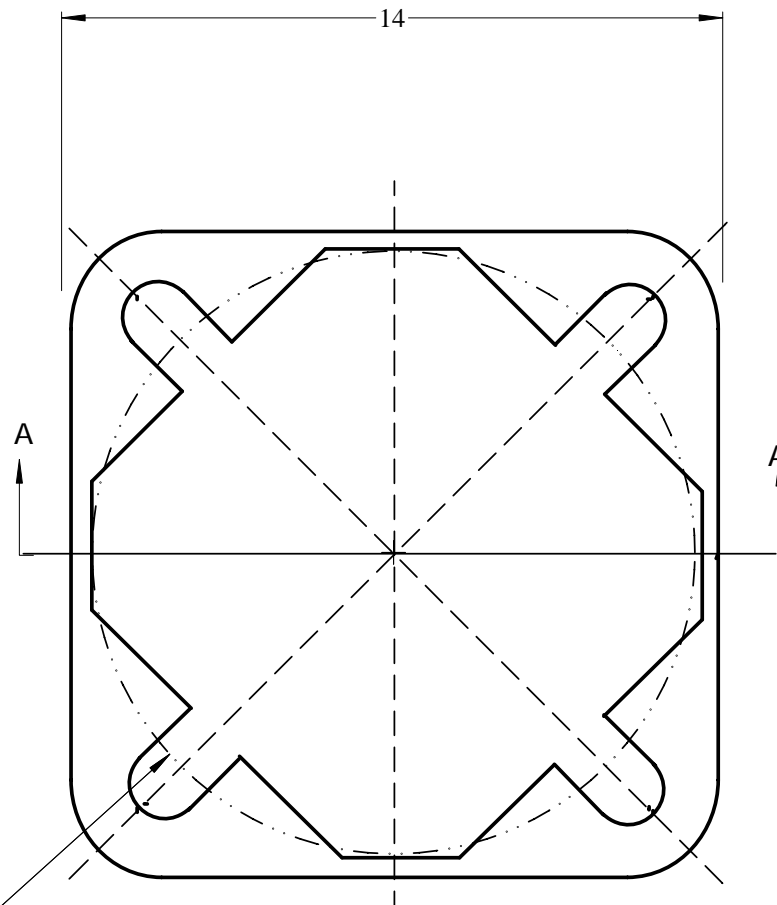


8" X 8" DOOR OPENING
ONE SIDE

SECTION VIEW A-A



Ø12 3/4
ANCHOR BOLT CIRCLE

BOTTOM VIEW

SECO - SOUTH		
SQUARE BASE DETAIL		
P.O.:	S.O.:	DRAWN BY: JIV
	DATE: 6/30/04	