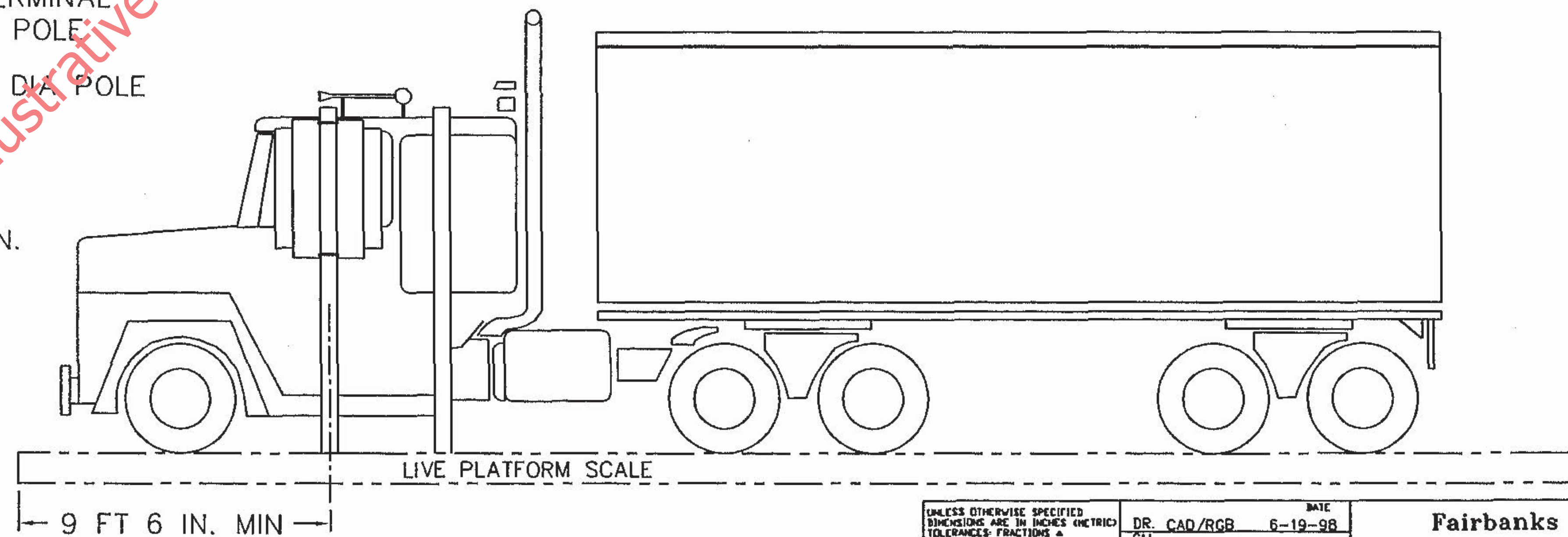
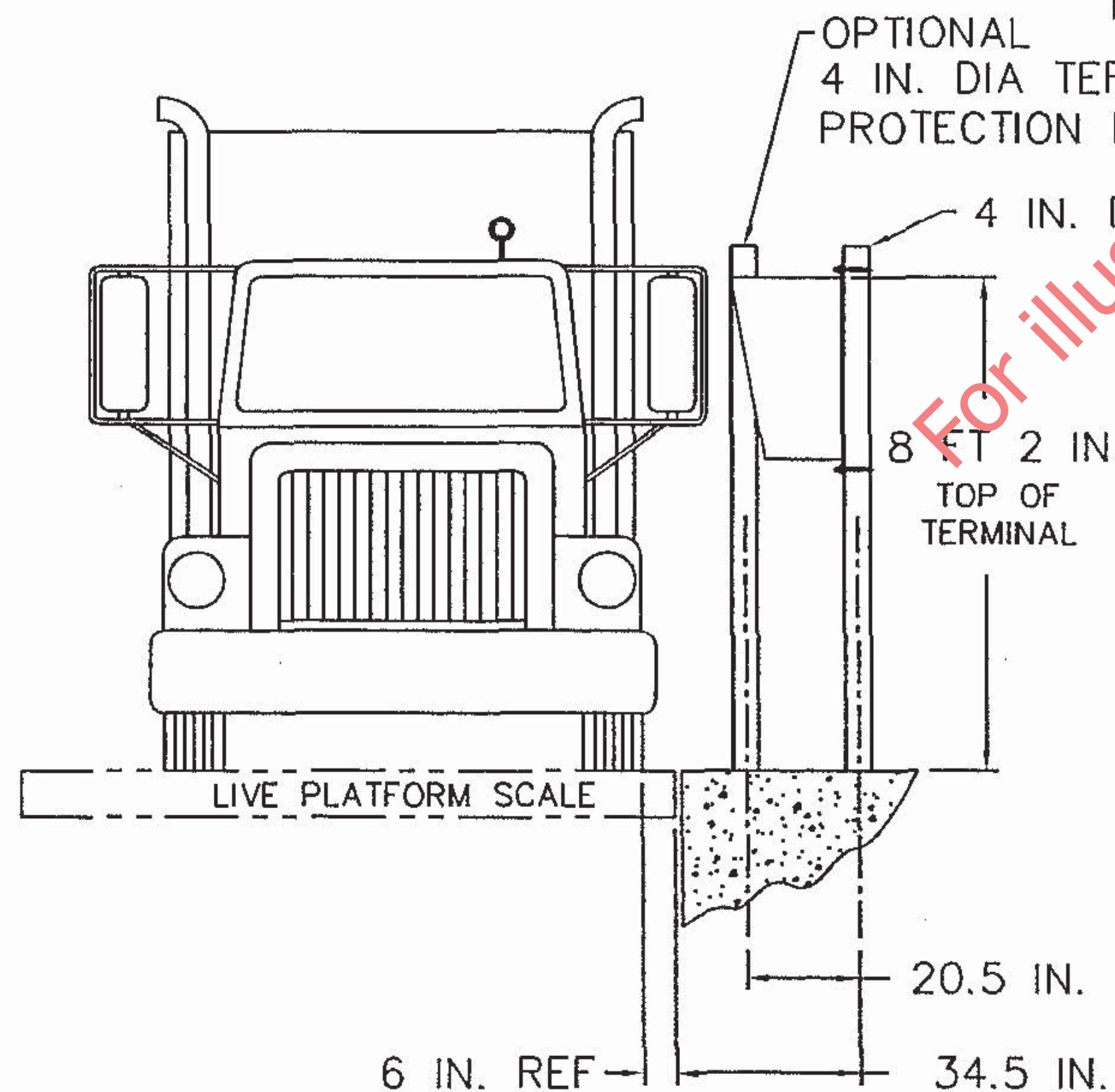
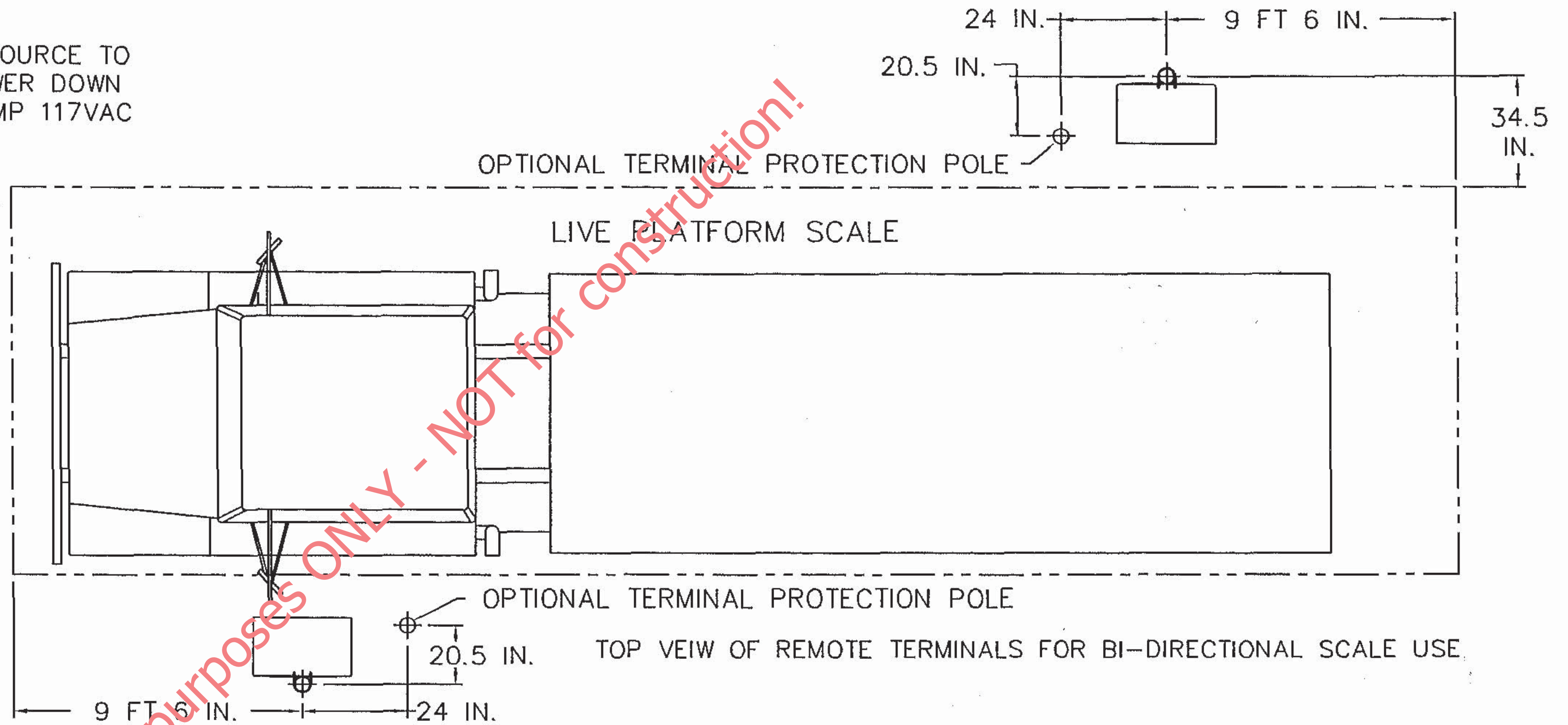


NOTES:

1. MUST HAVE 20 AMP 117VAC DEDICATED POWER SOURCE TO EACH TERMINAL. IN SITES WHERE YOU MUST POWER DOWN TERMINALS, HEATER MUST HAVE SEPARATE, 10 AMP 117VAC DEDICATED LINE.
2. ALL DIMENSIONS ARE BASED ON OPTIONS SHOWN. ALL OPTIONS ARE AVAILABLE FROM FAIRBANKS UPON REQUEST.

REVISIONS			
LTR	DESCRIPTION	DATE	APPROVED



UNLESS OTHERWISE SPECIFIED DIMENSIONS ARE IN INCHES (METRIC) TOLERANCES-FRACTIONS ° ANGLES ° PLACE DECIMALS ° ° PLACE DECIMALS ° °	DR. CAD/RGB	DATE 6-19-98	Fairbanks Scales St. Johnsbury, Vermont
	APP.		
MATERIAL	THE MATERIAL AND INFORMATION CONTAINED HEREIN IS CONFIDENTIAL AND IS THE PROPERTY OF FAIRBANKS SCALES, AND IS NOT TO BE USED, DISCLOSED, COPIED, TRANSFERRED OR REPRODUCED WITHOUT THE PRIOR WRITTEN PERMISSION OF FAIRBANKS.		REMOTE TERMINAL POLE MOUNTED INSTALLATION OPTIONS
FINISH	SIZE D	DRAWING NO. 4-93925	
NEXT ASSY. USED ON APPLICATION	SCALE NONE	SHEET 1 OF 2	