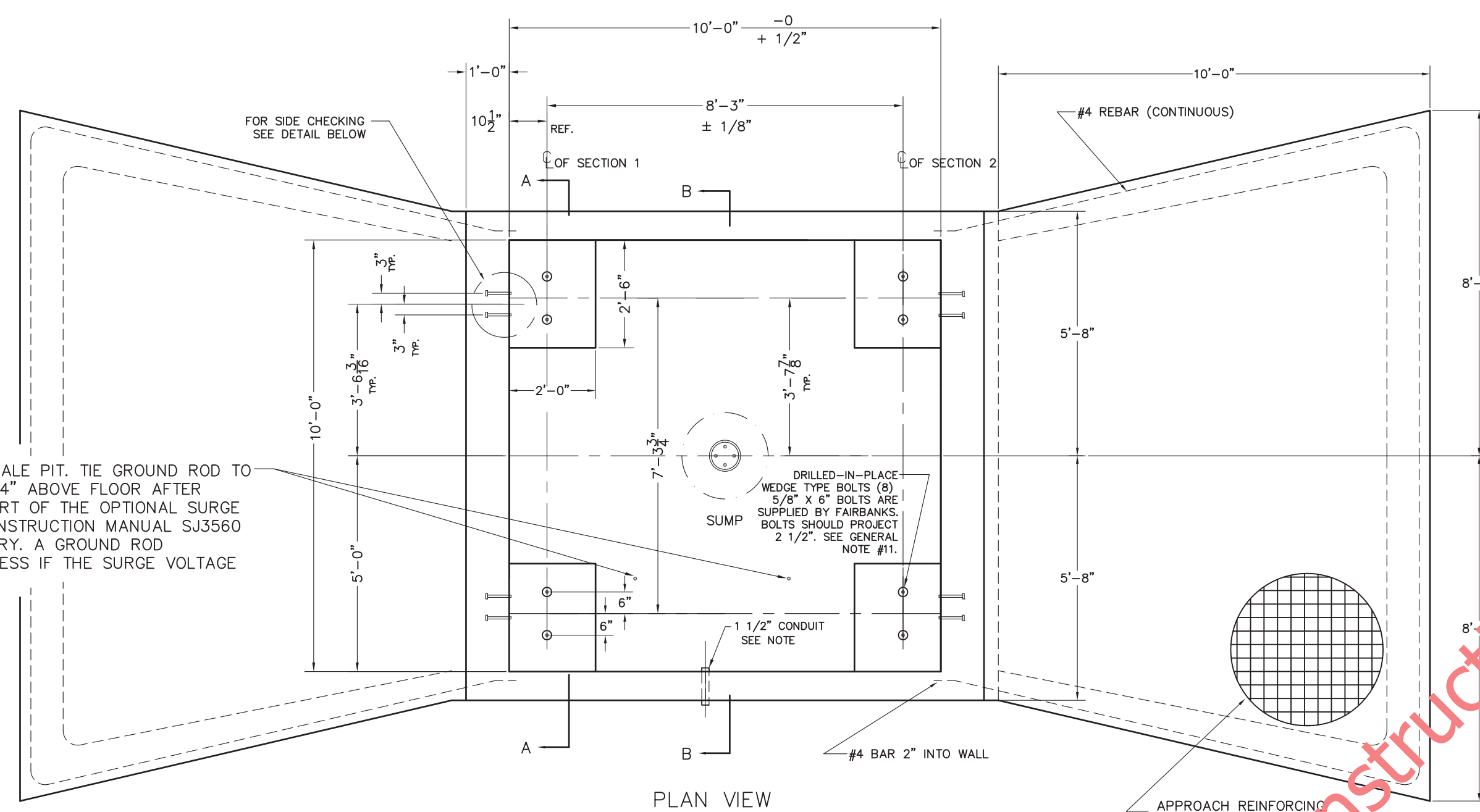
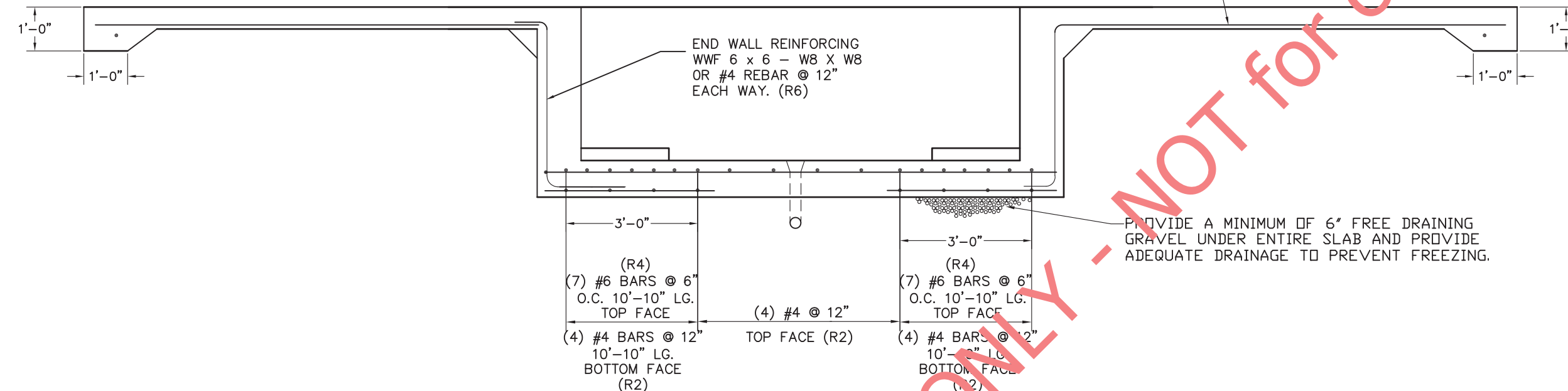


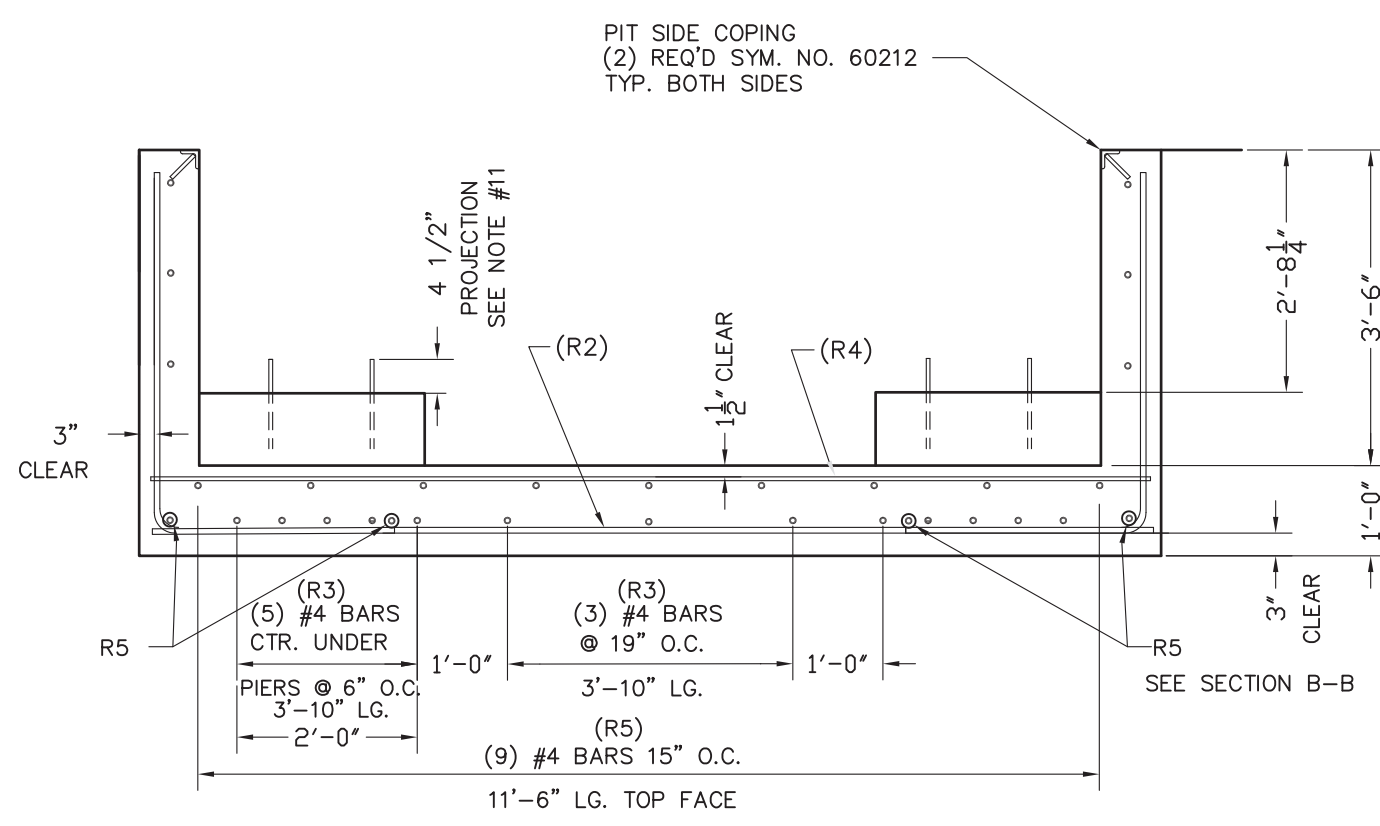
PLACE GROUND RODS NEAR CENTER OF SCALE PIT. TIE GROUND ROD TO SLAB REBAR MAKING SURE IT PROTRUDES 4" ABOVE FLOOR AFTER POURING. TWO RODS ARE PROVIDED AS PART OF THE OPTIONAL SURGE VOLTAGE PROTECTION SYSTEM. REFER TO INSTRUCTION MANUAL SJ3560 FOR MORE INFORMATION ON THIS ACCESSORY. A GROUND ROD SHOULD BE PROVIDED IN THE PIT REGARDLESS IF THE SURGE VOLTAGE PROTECTION GROUP IS SELECTED OR NOT.



PLAN VIEW

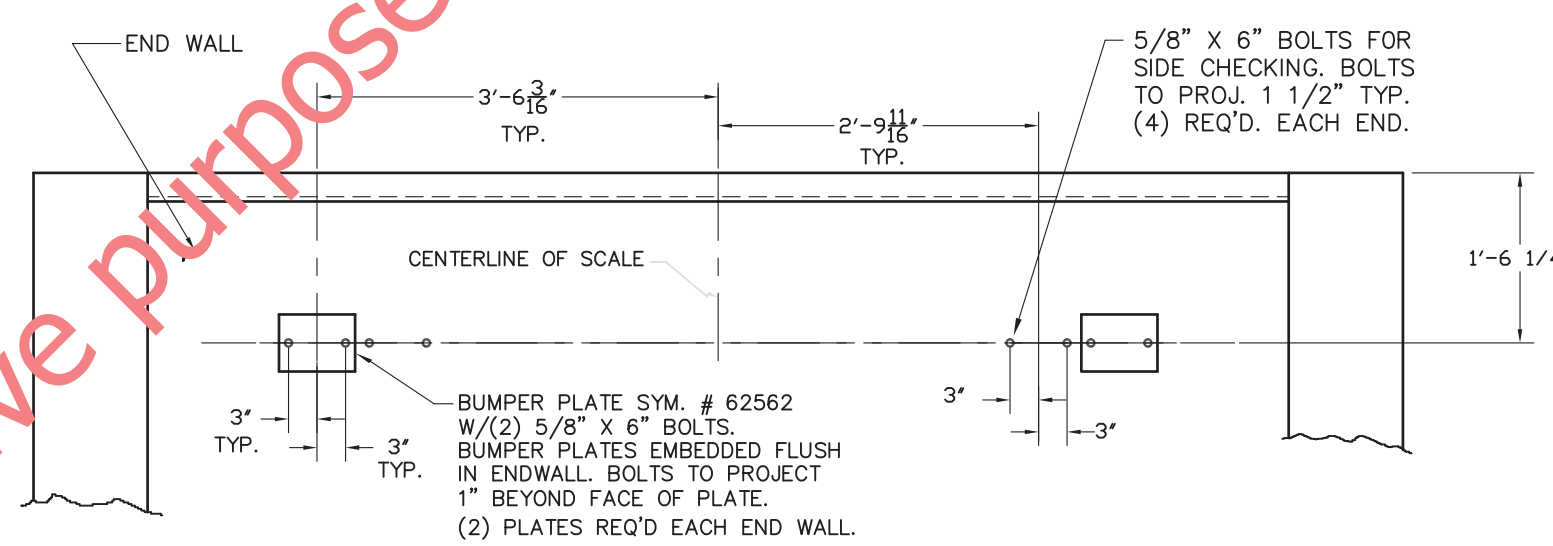


ELEVATION VIEW

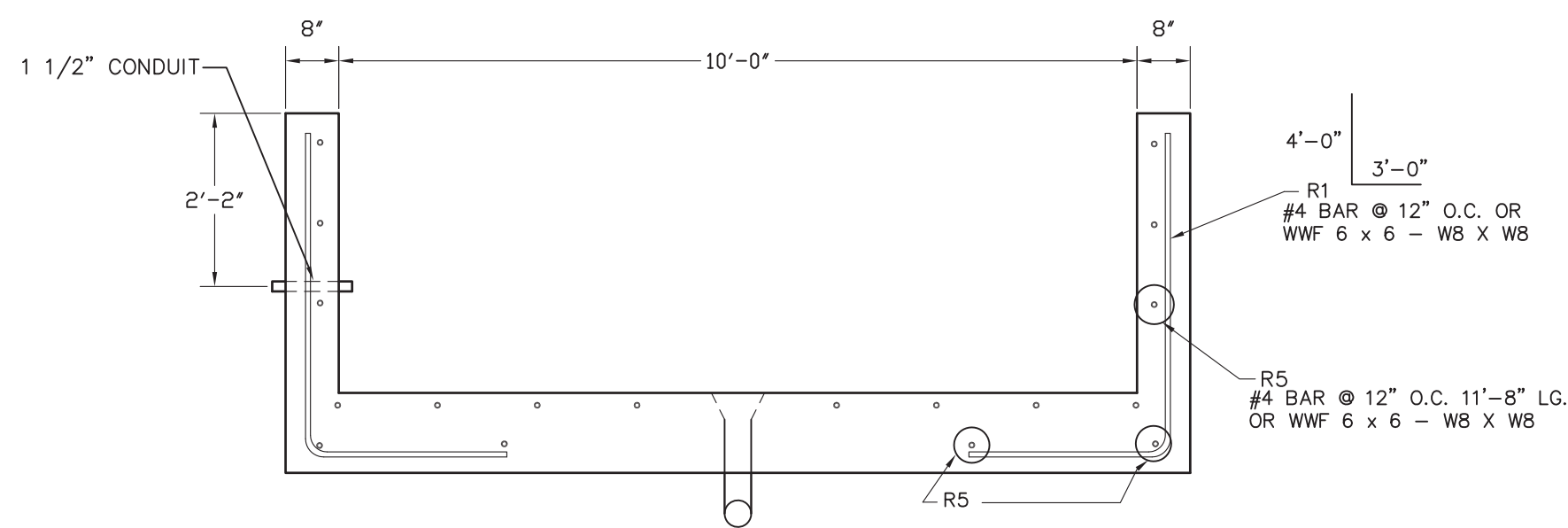


SECTION A-A  
TYPICAL (2) PLACES

NOTE: END AND CENTER SECTIONS IN ADDITION TO BARS SHOWN ON SECTION B-B



SIDE CHECKING DETAIL



SECTION B-B

APPROX. CONCRETE REQ'D.	
SLAB/PIERS	6 CU. YDS.
WALLS	6 CU. YDS.
APPROACHES	6 CU. YDS.
<b>TOTAL</b>	<b>18 CU. YDS.</b>

APPROX. EXCAVATION QTY = 47 CU. YDS.  
(BASED ON 2'-0" CLEARANCE AROUND SIDE OF PIT)

REINFORCING BAR SCHEDULE					
EXCEPT AS NOTED IN SECTION B-B AND THE ELEVATION SECTION					
SYM.	QTY.	SIZE	LENGTH	BENDING	WEIGHT
R1	24	#4	7'-0"	4'-0"   3'-0"	112
R2	12	#4	10'-10"	10'-10"	87
R3	26	#4	3'-10"	3'-10"	67
R4	14	#6	10'-10"	10'-10"	228
R5	19	#4	11'-6"	11'-6"	146
R6	22	#4	9'-0"	2'-0"   4'-0"   3'-0"	132
TOTAL					772
PLUS APPROX. 80 SQUARE FEET OF WWF 6x6 - WBxWB					
ALSO SEE REINFORCING BAR & WIRE FABRIC FOR APPROACHES					

GENERAL NOTES:

- EXCAVATION, FOUNDATION FORMS, REBARS, AND CONCRETE IS TO BE FURNISHED BY CONTRACTOR OR CUSTOMER.
- REINFORCING BARS ARE TO EQUAL ASTM A615, GRADE 40 OR 60. BEND BARS COLD TO CONFORM WITH REQUIRED DETAILS. REMOVE SCALE, LOOSE FLAKY RUST, DIRT, AND OTHER COATINGS THAT WOULD IMPAIR BONDING. SPACE BARS PROPERLY AND TIE SECURELY IN POSITION BEFORE PLACING CONCRETE. TACK WELDING TO KEEP REINFORCING IN PLACE IS NOT PERMITTED.
- MATERIAL AND WORKMANSHIP TO BE IN ACCORDANCE WITH CURRENT AMERICAN CONCRETE INSTITUTE (ACI) CODE REQUIREMENTS. ALL CONCRETE TO BE A MINIMUM OF 2500 P.S.I. @ 28 DAYS.
- 1500 P.S.F. MINIMUM SOIL BEARING CAPACITY IS REQUIRED. THE DESIGN IS ADEQUATE FOR A HIGHWAY SURCHARGE OF 300 P.S.F. ADJACENT TO PIT WALLS.
- REFER TO SJ MANUAL 3884 FOR MORE DETAILED INSTRUCTIONS ON PIT CONSTRUCTION RECOMMENDATIONS.
- WORK FROM CENTERLINES WHEN ERECTING FORMS AND PLACING FOUNDATION BOLTS. PLACE BOLTS TO WITHIN  $\pm 1/8"$  OF POSITIONS INDICATED ON DRAWING. (BOLTS MUST BE PLACED WITHIN  $\pm 1/8"$  OF TOTAL DIMENSIONS FROM CENTERLINE OF SCALE.)
- FOR SETTING PLAN, SEE DRAWING D91360-SP
- PROVIDE MEANS SO THAT ADEQUATE DRAINAGE FOR PIT EXIST. CONNECT THE DRAIN TO A GRAVITY DRAIN, STORM SEWER, OR SUMP PUMP TO INSURE THAT STANDING WATER CANNOT ACCUMULATE IN PIT.
- VARIOUS STATE WEIGHTS & MEASURES AUTHORITIES HAVE REGULATIONS, PARTICULARLY IN REGARD TO PIT DEPTH AND APPROACHES, AFFECTING PIT AND INSTALLATION. THE PIT CONTRACTOR IS RESPONSIBLE TO VERIFY THAT THIS PLAN AND INSTALLATION MEETS LOCAL MINIMUM REQUIREMENTS. FOR ASSISTANCE CONTACT NEAREST FAIRBANKS SCALES OFFICE.
- SUITABLE CONDUIT FOR LOW VOLTAGE CONDUCTOR SHIELDED CABLE MUST PASS THRU THE PIT WALL AT ANY POINT ABOVE PIER TOPS THAT IS CONVENIENT. CONDUIT MUST EXTEND BEYOND PIT WALL A MINIMUM OF 2". FOR RUNS OF CONDUIT UP TO 50'-0" IN LENGTH, USE 1 1/2" CONDUIT. AVOID RUNNING CABLE IN CLOSE PROXIMITY TO HIGH VOLTAGE LINES. IF AC IS REQUIRED IN PIT, IT SHALL NOT RUN CLOSER THEN 24" IN PARALLEL TO ANY LOAD CELL CABLE.
- CAST-IN-PLACE ANCHOR BOLTS ARE NOT REQUIRED AT PIERS, BUT ARE REQUIRED IN END WALLS FOR CHECKING SYSTEM.
- TOPS OF ALL PIERS MUST BE SMOOTH FLAT & LEVEL FOR LOAD CELL BASE PLATES TO BEAR PROPERLY.

LET	BY	DATE	REVISION
A	SLS	9/99	REVISED REBAR SCHEDULE

**FAIRBANKS SCALES**  
Meridian, Mississippi  
10' X 10' REINFORCED PIT  
2-SECTION FULL ELECTRONIC  
CAP. 30 TON 45K CLC  
PLT-2600RC-2AO

date	9/20/99	material	
scale	N/A	in. per ft.	1 of 1
drawn by	BT	checked by	D91360-CA
approved by		checked by	

The material and information contained herein is confidential and is the property of Fairbanks Scales and is not to be used, disclosed, copied, transferred or reproduced without the written permission of Fairbanks.

Unless otherwise specified dimensions are in inches. Tolerances: Fractions: 1/8" Angles: 1/2" 3 place decimals 2 place decimals Hole diameter:  $\pm 1/32"$