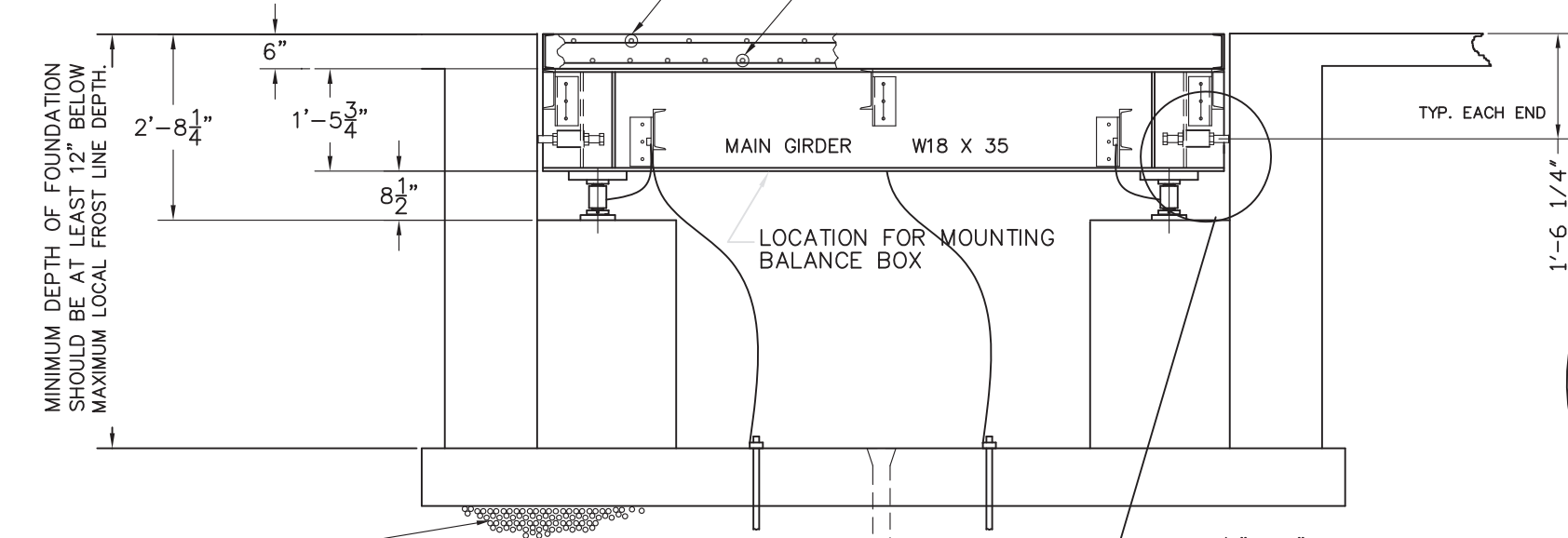


CONDUIT NOTE:
SUITABLE CONDUIT FOR LOW VOLTAGE CONDUCTOR SHIELDED CABLE MUST PASS THRU THE PIT WALL AT ANY POINT ABOVE PIER TOPS THAT IS CONVENIENT. CONDUIT MUST EXTEND BEYOND PIT WALL A MINIMUM OF 2'. FOR RUNS OF CONDUIT UP TO 50' IN LENGTH, USE 1 1/2" CONDUIT. AVOID RUNNING CABLE IN CLOSE PROXIMITY TO HIGH VOLTAGE LINES. PROVIDE #10 COPPER GROUND LEAD AT INSTRUMENT LOCATION. CONNECT TO 10'-0" COPPER-CLAD GROUND ROD DRIVEN IN MOST EARTH. IF AC IS REQUIRED IN PIT, IT SHALL NOT RUN CLOSER THAN 24" IN PARALLEL TO ANY LOAD CELL CABLE. WHEN WELDING IN PIT, LOAD CELLS MUST BE DISCONNECTED AND LEADS TAPED TO PREVENT THEM FROM TOUCHING EACH OTHER AND FROM GROUNDING.

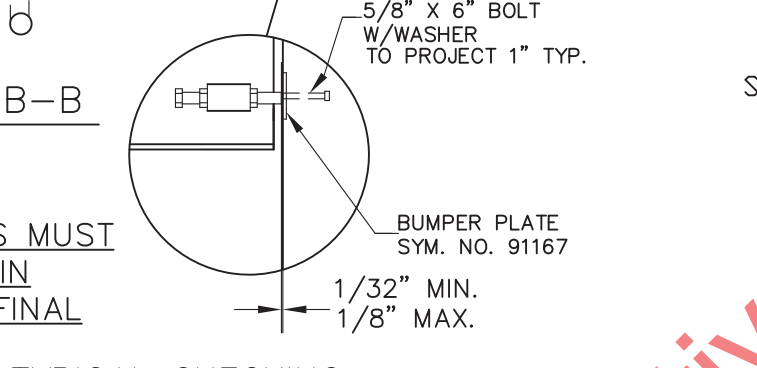
NOTE: PROVIDE MEANS SO THAT ADEQUATE DRAINAGE FOR THE PIT EXISTS. CONNECT THE DRAIN TO A GRAVITY DRAIN, STORM SEWER, OR SUMP PUMP TO INSURE THAT STANDING WATER CANNOT ACCUMULATE IN PIT.
#4 REBAR (R3) @ 10" O.C. 3'-0" LG. 24 REQ'D. SEE SECTION A-A FOR PLACEMENT
#5 REBAR (R2) @ 6 1/2" O.C. 9'-0" LG. 18 REQ'D.

PLACE GROUND RODS NEAR CENTER OF SCALE PIT. TIE GROUND ROD TO SLAB REBAR MAKING SURE IT PROTRUDES 4" ABOVE FLOOR AFTER POURING. TWO RODS ARE PROVIDED AS PART OF THE OPTIONAL SURGE VOLTAGE PROTECTION SYSTEM. REFER TO INSTRUCTION MANUAL SJ3560 FOR MORE INFORMATION ON THIS ACCESSORY. A GROUND ROD SHOULD BE PROVIDED IN THE PIT REGARDLESS IF THE SURGE VOLTAGE PROTECTION GROUP IS SELECTED OR NOT.

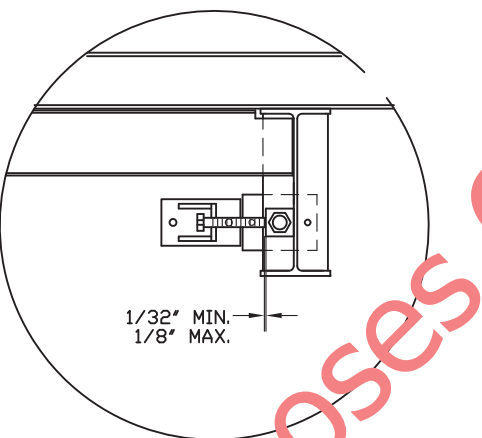


PROVIDE A MINIMUM OF 6" FREE DRAINING GRAVEL UNDER ENTIRE SLAB AND PROVIDE ADEQUATE DRAINAGE TO PREVENT FREEZING.

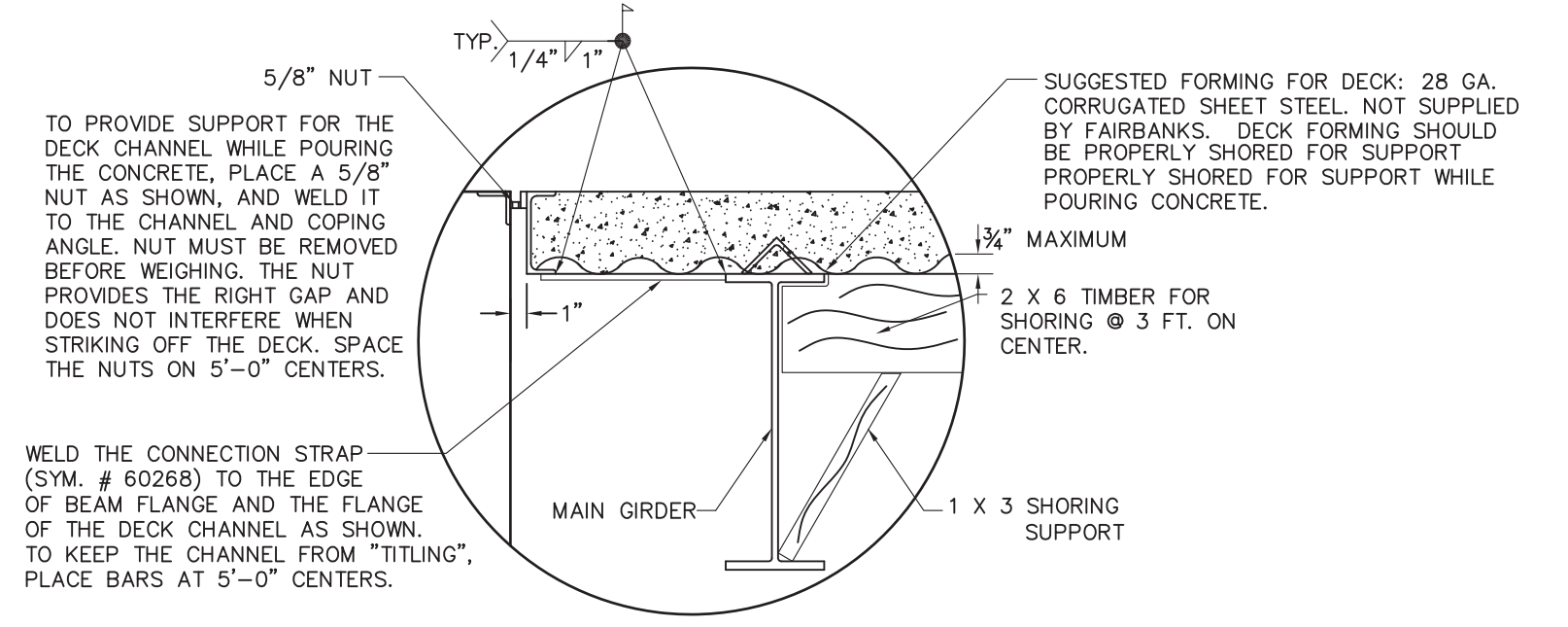
NOTE: ALL BUMPER BOLTS MUST BE INSTALLED BEFORE MAIN GIRDERS ARE PLACED IN FINAL POSITION.



TYPICAL CHECKING ADJUSTMENT DETAIL

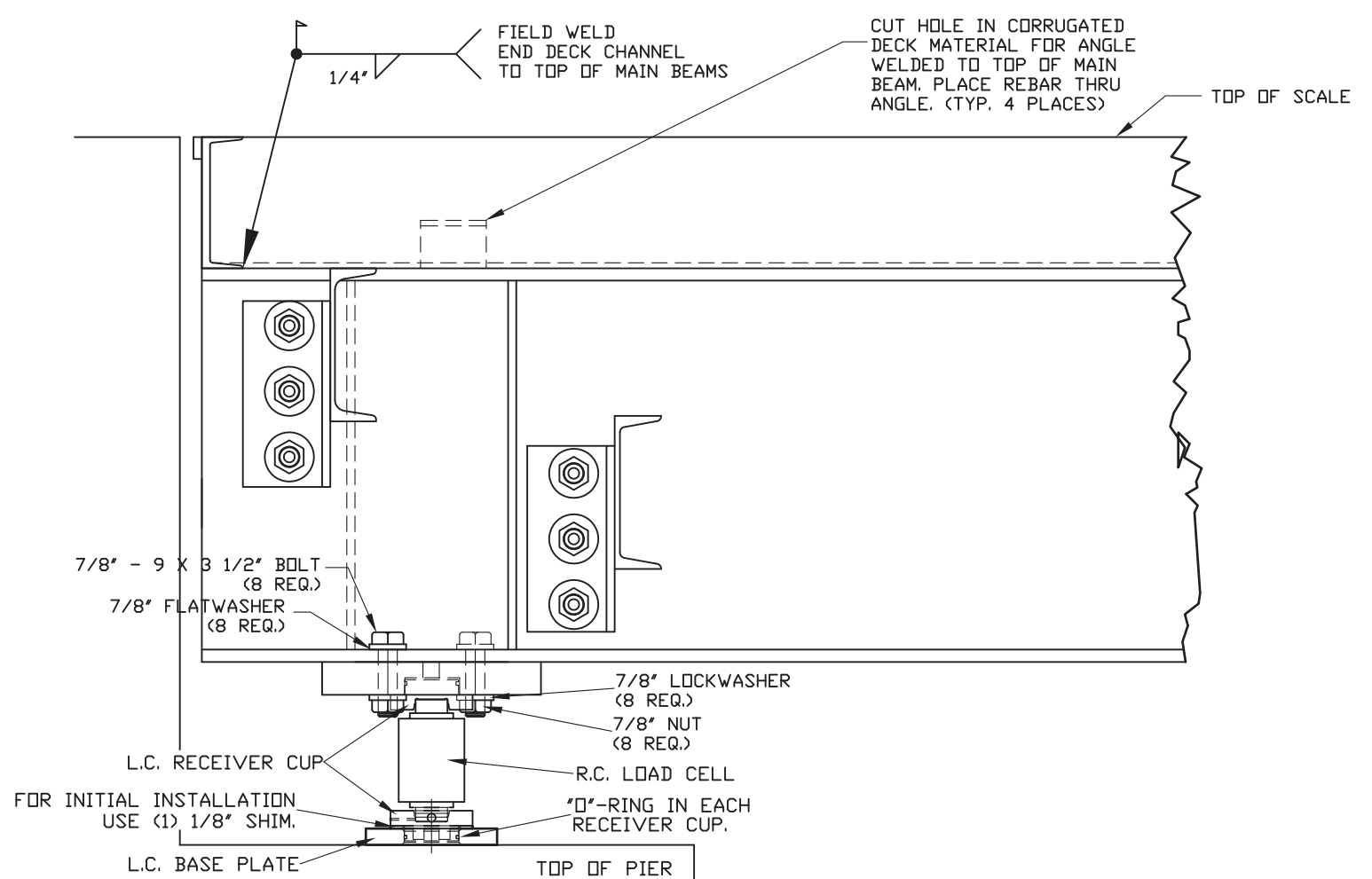


SIDE CHECKING ADJUSTMENT



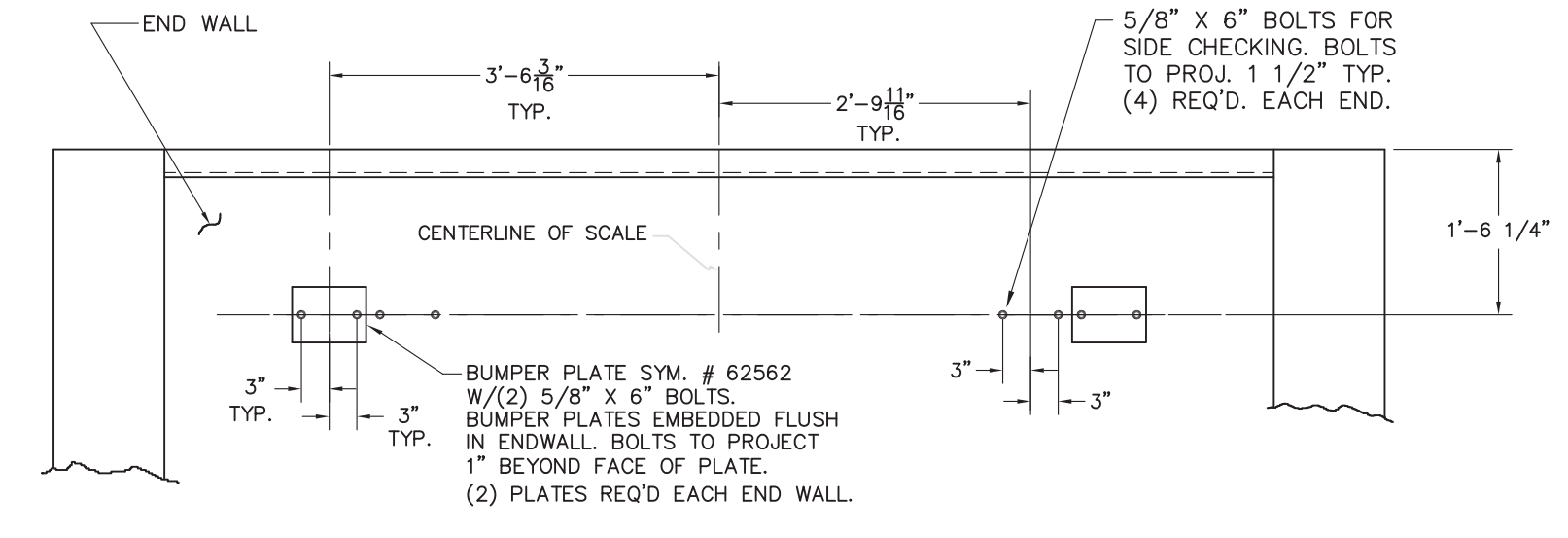
DECK FORMING DETAIL

DECK REINFORCING (SUPPLIED BY FAIRBANKS)				
MARK	QTY.	SIZE	DESCRIPTION	WT.
R1	15	#4	9'-4"	94
R2	18	#5	9'-0"	169
R3	24	#4	3'-0"	48
REBAR BUNDLE # 57019				

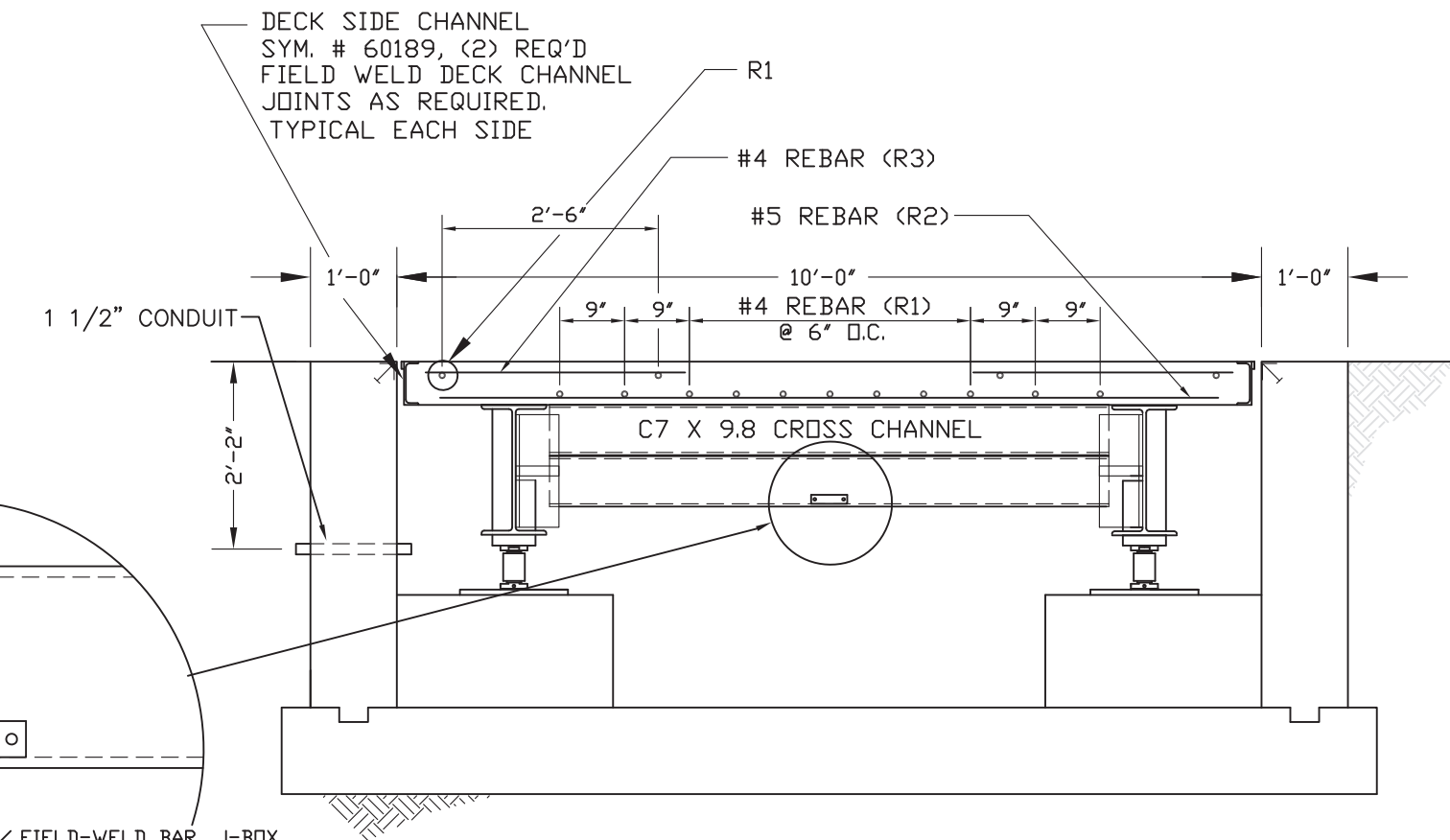


VIEW C-C

LOAD CELL END ASSEMBLY DETAIL



END WALL CHECKING DETAIL
TYPICAL FOR EACH END WALL



SECTION A-A

- GENERAL NOTES:**
- EXCAVATION, FOUNDATION FORMS, FOUNDATION REBAR, AND ALL CONCRETE IS TO BE FURNISHED BY CONTRACTOR OR CUSTOMER OR AS CONTRACTED. REINFORCED FOUNDATION DRAWINGS SUITABLE FOR NORMAL INSTALLATION ARE AVAILABLE UPON REQUEST.
 - THE PIT DIMENSIONS AS SHOWN ARE THE MINIMUM REQUIRED TO ACCOMMODATE THE SCALE. N.B.S. H44 REQUIREMENTS AND LOCAL WEIGHTS AND MEASURE REGULATIONS MAY SPECIFY ADDITIONAL INSTALLATION REQUIREMENTS. IN ORDER TO INSURE COMPLIANCE, CONSULT THE GOVERNING WEIGHTS AND MEASURE DEPARTMENT PRIOR TO INSTALLATION.
 - TO COMPLY WITH SPECIFICATIONS OF N.I.S.T. H44, ANY ENDS OF A VEHICLE SCALE INSTALLED IN ONE LOCATION FOR A PERIOD OF SIX MONTHS OR MORE SHALL HAVE A STRAIGHT APPROACH AT LEAST AS WIDE AS THE PLATFORM AND AT LEAST ONE-HALF THE LENGTH OF THE PLATFORM. NOT LESS THAN 10 FEET ON ANY APPROACH ADJACENT TO THE PLATFORM SHALL BE CONSTRUCTED OF CONCRETE OR OTHER DURABLE MATERIAL TO INSURE THAT THIS PORTION REMAINS SMOOTH AND IS IN THE SAME PLANE AS THE PLATFORM WHERE NECESSARY FOR DRAINAGE, THE REMAINING PORTION OF THE APPROACH MAY SLOPE SLIGHTLY.
 - WORK FROM CENTERLINES WHEN ERECTING FORMS AND PLACING FOUNDATION BOLTS. PLACE BOLTS TO WITHIN ±1/8" OF POSITIONS INDICATED ON DRAWING. (BOLTS MUST BE PLACED WITHIN ±1/8" OF TOTAL DIMENSIONS FROM CENTERLINE OF SCALE.)
 - ADEQUATE PROVISION MUST BE MADE FOR READY ACCESS TO THE PIT FOR INSPECTION OR MAINTENANCE. 24" DIA. MANHOLES ARE OPTIONALLY FURNISHED BY FAIRBANKS WHEN ORDERED. (SYM. NO. 55008).
 - APPROXIMATELY 2 CU. YD. OF CONCRETE IS REQUIRED FOR THE PLATFORM SLAB. USE $f_c = 4000$ PSI CONCRETE.
 - VEHICLES SHOULD ENTER AND EXIT SCALE FROM APPROACHES ONLY. ALL CROSS TRAFFIC SHOULD BE RESTRICTED.
 - IT IS RECOMMENDED THAT THE WEIGHBRIDGE BE ASSEMBLED AND BLOCKED IN THE PIT BEFORE THE LOAD CELL ASSEMBLIES ARE ASSEMBLED AND INSTALLED.
 - WHEN WELDING IN PIT OR ON WEIGHBRIDGE, LOAD CELLS MUST BE DISCONNECTED AND LEADS TAPED TO PREVENT THEM FROM TOUCHING EACH OTHER AND FROM GROUNDING.
 - CAST-IN-PLACE ANCHOR BOLTS ARE NOT REQUIRED AT PIERS, BUT ARE REQUIRED IN THE END WALLS FOR CHECKING SYSTEM.
 - TOPS OF ALL PIERS MUST BE SMOOTH FLAT & LEVEL, FOR LOAD CELL BASE PLATES TO BEAR PROPERLY.

LET	BY	DATE	REVISION
A	BT	9/28/99	PART # CHANGE FOR BUMP PLATE

FAIRBANKS SCALES	
Meridian, Mississippi	
10' X 10' SETTING PLAN 2-SECTION FULL ELECTRONIC w/ ROCKER COLUMN LOAD CELLS CAP. 30 TON 45K CLC	
DATE	6/3/99
SCALE	N/A
SHEET	1 of 1
DRAWN BY	BT
TRACED BY	
CHECKED BY	
APPROVED BY	
MATERIAL	FINISH
PLT-2600RC-2A0	
SETTING PLAN	
D91360-SP	

For illustrative purposes ONLY - NOT for construction!