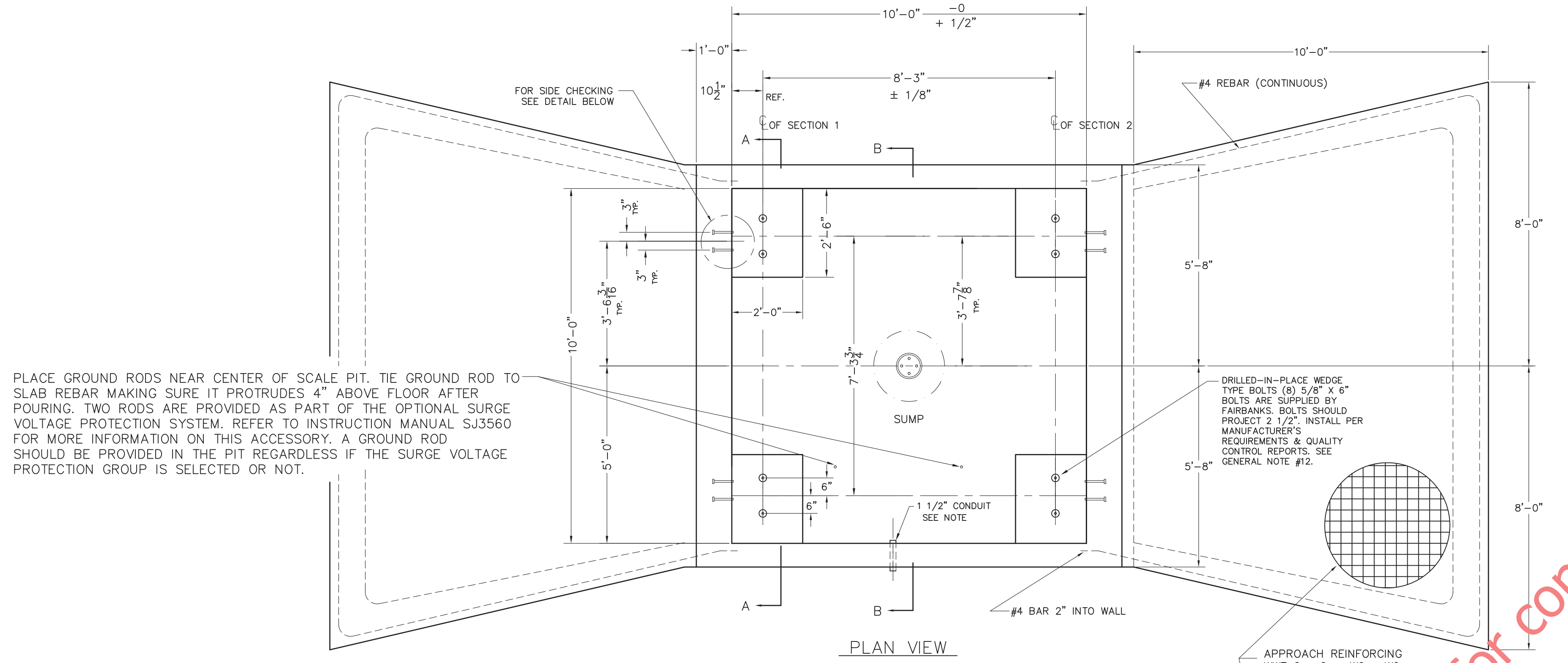


REINFORCING BAR SCHEDULE					
EXCEPT AS NOTED IN SECTION B-B AND THE ELEVATION SECTION					
SYM.	QTY.	SIZE	LENGTH	BENDING	WEIGHT
R1	24	#4	7'-7"	4'-7" 3'-0"	122
R2	12	#4	10'-10"	10'-10"	87
R3	26	#4	3'-10"	3'-10"	67
R4	14	#6	10'-10"	10'-10"	228
R5	21	#4	11'-6"	11'-6"	161
R6	22	#4	9'-6"	2'-0" 4'-0" 3'-0"	140
VR1	16	#4	1'-7"	1'-7"	17
TOTAL					822
PLUS APPROX. 80 SQUARE FEET OF WWF 6x6 - W6xW6					
ALSO SEE REINFORCING BAR & WIRE FABRIC FOR APPROACHES					

NOTE:
1. DRILL & EXPOXY VR1 6" INTO BASE SLAB.

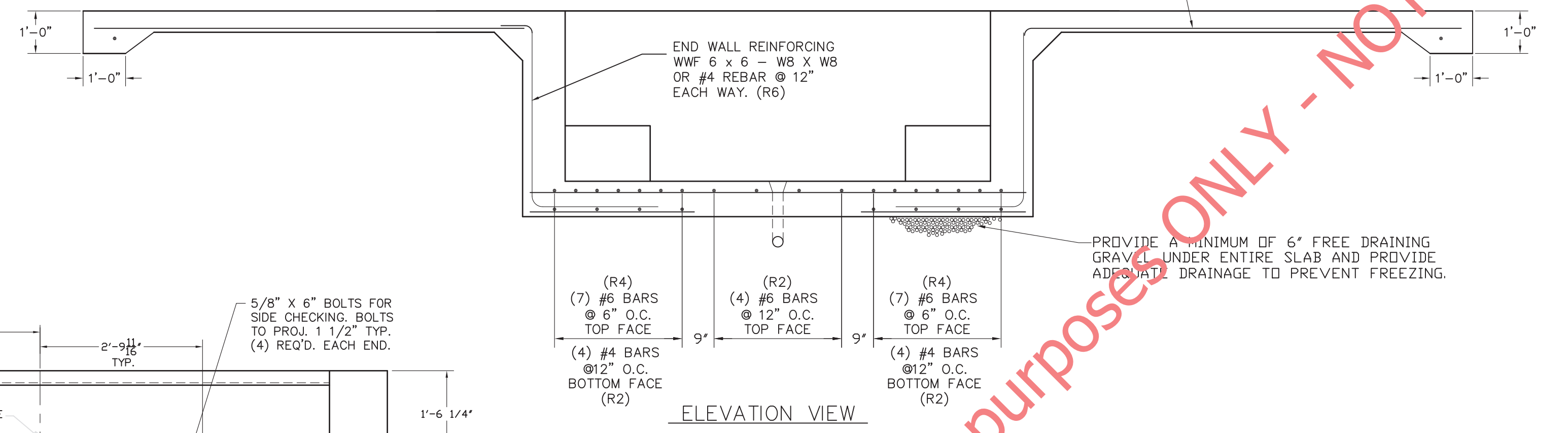
GENERAL NOTES:

- EXCAVATION, FOUNDATION FORMS, REBARS, AND CONCRETE IS TO BE FURNISHED BY CONTRACTOR OR CUSTOMER.
- REINFORCING BARS ARE TO EQUAL ASTM A615, GRADE 60. BEND BARS COLD TO CONFORM WITH REQUIRED DETAILS. REMOVE SCALE, LOOSE FLAKY RUST, DIRT, AND OTHER COATINGS THAT WOULD IMPAIR BONDING. SPACE BARS PROPERLY AND TIE SECURELY IN POSITION BEFORE PLACING CONCRETE. TACK WELDING TO KEEP REINFORCING IN PLACE IS NOT PERMITTED.
- MATERIAL AND WORKMANSHIP TO BE IN ACCORDANCE WITH CURRENT AMERICAN CONCRETE INSTITUTE (ACI) CODE REQUIREMENTS. ALL CONCRETE TO BE A MINIMUM OF 3000 P.S.I. @ 28 DAYS. DESIGN IS BASED ON 2500 P.S.I., THEREFORE SPECIAL INSPECTION IS NOT REQUIRED UNLESS OTHERWISE REQUIRED BY LOCAL BUILDING OFFICIAL.
- 1500 P.S.F. MINIMUM SOIL BEARING CAPACITY IS REQUIRED. THE DESIGN IS ADEQUATE FOR A HIGHWAY SURCHARGE OF 300 P.S.F. ADJACENT TO PIT WALLS. IF EXPANSIVE OR COLLAPSIBLE SOILS ARE DISCOVERED SPECIAL ASSISTANCE WILL BE REQUIRED. WATER TABLE SHALL NOT BE ABOVE BOTTOM OF PIT FLOOR SLAB.
- REFER TO MANUAL FOR MORE DETAILED INSTRUCTIONS ON PIT CONSTRUCTION RECOMMENDATIONS.
- WORK FROM CENTERLINES WHEN ERECTING FORMS AND PLACING FOUNDATION. PLACE BOLTS TO WITHIN ± 1/8" OF POSITIONS INDICATED ON DRAWING. (BOLTS MUST BE PLACED WITHIN ± 1/8" OF TOTAL DIMENSIONS FROM CENTERLINE OF SCALE.)
- FOR SETTING PLAN, SEE DRAWING D91372-SP.
- WHERE PIT FLOOR IS POURED SOLID, SUMPS, INTERCONNECTED BY 2" PVC PIPES, SHALL BE INSTALLED AT LOCATIONS INDICATED. SUMPS SHALL BE 20" DIA. X 20" DEPTH WITH CONCRETE BOTTOM. THE PIT FLOOR SHALL SLOPE 1" FROM 4 DIRECTIONS TOWARD EACH SUMP. SUMP PUMP DISCHARGE SHALL TERMINATE WITH 2" FEMALE PIPE COUPLING JUST OUTSIDE THE PIT WALL. DUPLEX RECEPTACLE (WEATHER PROOF) WITH 115V AC, SINGLE PHASE, 20 AMP, AND GROUND-FAULT PROTECTION IS REQUIRED FOR SUMP PUMP ELECTRICAL SERVICE AND SHALL BE FURNISHED BY OTHERS.
- VARIOUS STATE WEIGHTS & MEASUREMENTS AUTHORITIES HAVE REGULATIONS, PARTICULARLY IN REGARD TO PIT DEPTH AND APPROACHES, AFFECTING PIT AND INSTALLATION. THE PIT CONTRACTOR IS RESPONSIBLE TO VERIFY THAT THIS PLAN AND INSTALLATION MEETS LOCAL MINIMUM REQUIREMENTS. FOR ASSISTANCE CONTACT NEAREST FAIRBANKS SCALES OFFICE.
- SUITABLE CONDUIT FOR LOW VOLTAGE CONDUCTOR SHIELDED CABLE MUST PASS THRU THE PIT WALL AT ANY POINT ABOVE PIER TOPS THAT IS CONVENIENT. CONDUIT MUST EXTEND BEYOND PIT WALL A MINIMUM OF 2'. FOR RUNS OF CONDUIT UP TO 50'-0" IN LENGTH, USE 1 1/2" CONDUIT. AVOID RUNNING CABLE IN CLOSE PROXIMITY TO HIGH VOLTAGE LINES. IF AC IS REQUIRED IN PIT, IT SHALL NOT RUN CLOSER THAN 24" IN PARALLEL TO ANY LOAD CELL CABLE.
- CAST-IN-PLACE ANCHOR BOLTS ARE NOT REQUIRED AT PIERS, BUT ARE REQUIRED IN THE END WALLS FOR CHECKING SYSTEM.
- TOPS OF ALL PIERS MARKED "A" OR "B" MUST BE SMOOTH, FLAT, AND LEVEL FOR LOADCELL BASE PLATES TO BEAR PROPERLY.
- CLEARANCE DIMENSION FOR BOTTOM OF MAIN GIRDER TO PIT FLOOR IS 24 1/8".



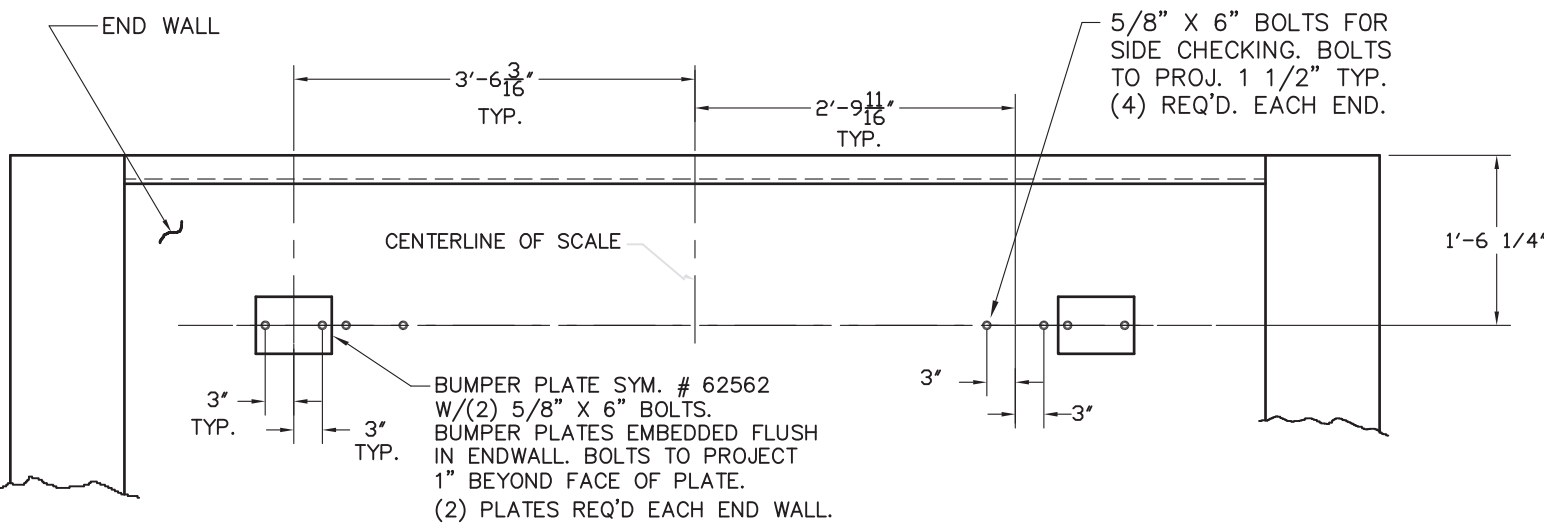
PLACE GROUND RODS NEAR CENTER OF SCALE PIT. TIE GROUND ROD TO SLAB REBAR MAKING SURE IT PROTRUDES 4" ABOVE FLOOR AFTER POURING. TWO RODS ARE PROVIDED AS PART OF THE OPTIONAL SURGE VOLTAGE PROTECTION SYSTEM. REFER TO INSTRUCTION MANUAL SJ3560 FOR MORE INFORMATION ON THIS ACCESSORY. A GROUND ROD SHOULD BE PROVIDED IN THE PIT REGARDLESS IF THE SURGE VOLTAGE PROTECTION GROUP IS SELECTED OR NOT.

DRILLED-IN-PLACE WEDGE TYPE BOLTS (8) 5/8" X 6" BOLTS ARE SUPPLIED BY FAIRBANKS. BOLTS SHOULD PROJECT 2 1/2". INSTALL PER MANUFACTURER'S REQUIREMENTS & QUALITY CONTROL REPORTS. SEE GENERAL NOTE #12.

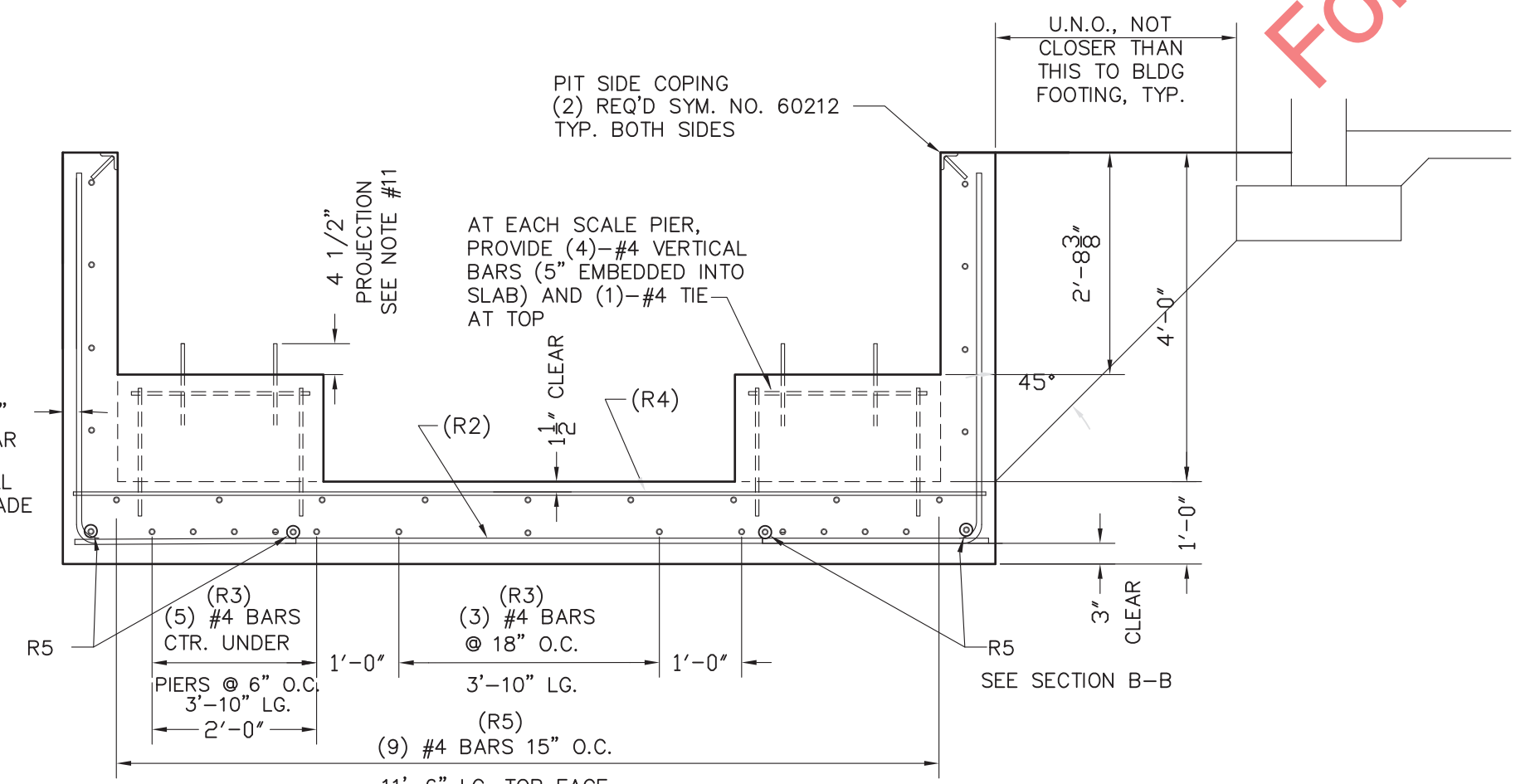


APPROX. EXCAVATION QTY = 50 CU. YDS. (BASED ON 2'-0" CLEARANCE AROUND SIDE OF PIT). COMPACT FILL PER LOCAL REQUIREMENTS.

APPROX. CONCRETE REQ'D.	
SLAB/PIERS	6 CU. YDS.
WALLS	5 CU. YDS.
APPROACHES	7 CU. YDS.
TOTAL	18 CU. YDS.

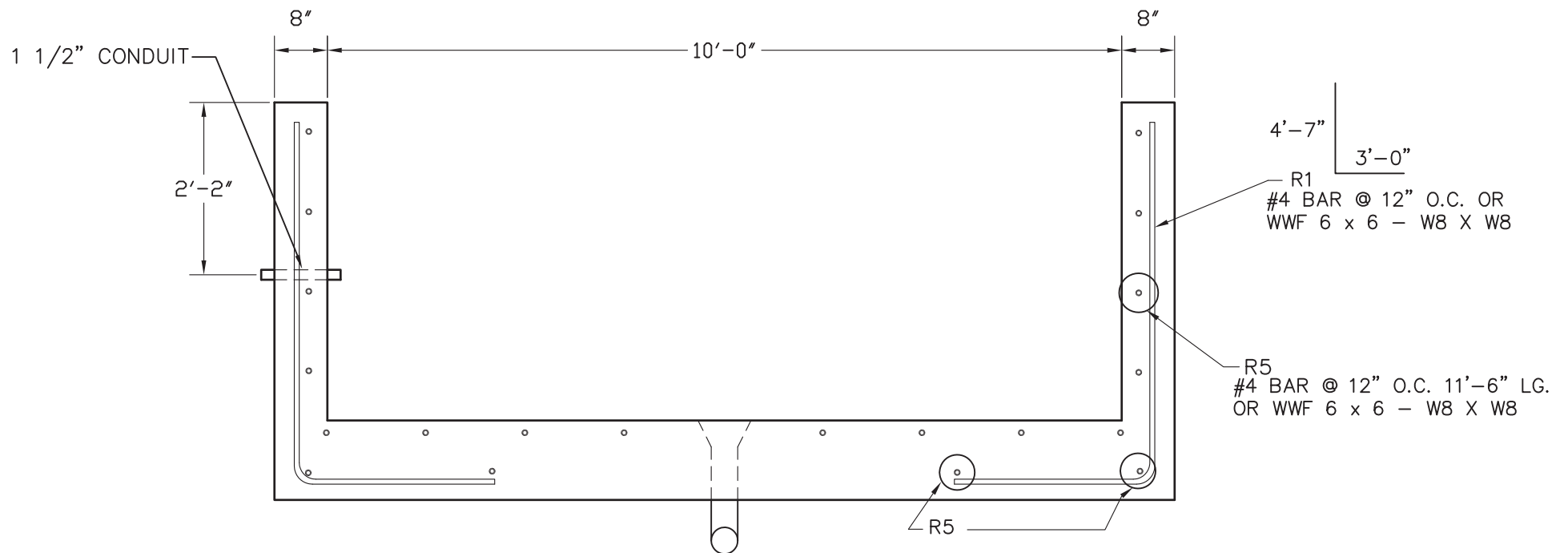


SIDE CHECKING DETAIL



SECTION A-A
TYPICAL (2) PLACES

*NOTE: END AND CENTER SECTIONS IN ADDITION TO BARS SHOWN ON SECTION B-B



SECTION B-B

LET	BY	DATE	REVISION
A	REC	1/6/05	REV GEN NOTES, SECT A-A, MISC

FAIRBANKS SCALES	
Meridian, Mississippi	
10' X 10' REINFORCED PIT	
2-SECTION FULL ELECTRONIC	
CAP. 40 TON 70K CLC	
PLT-2600RC-5A0	
date	9/16/99
material	4" DP. CA PIT
scale	N/A
in. per ft.	1
sheet	1 of 1
drawn by	REC
checked by	
approved by	D91372-RP4-CA

For illustrative purposes ONLY - NOT for construction!