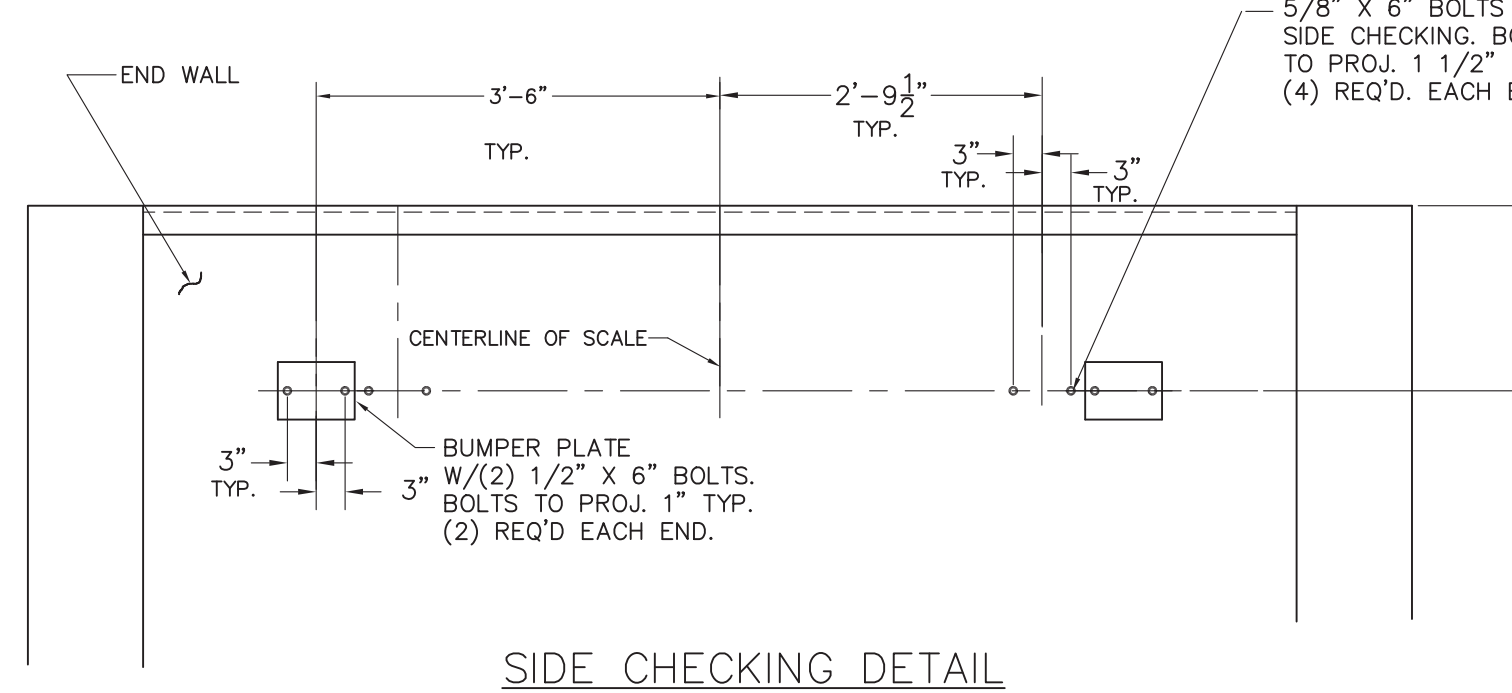
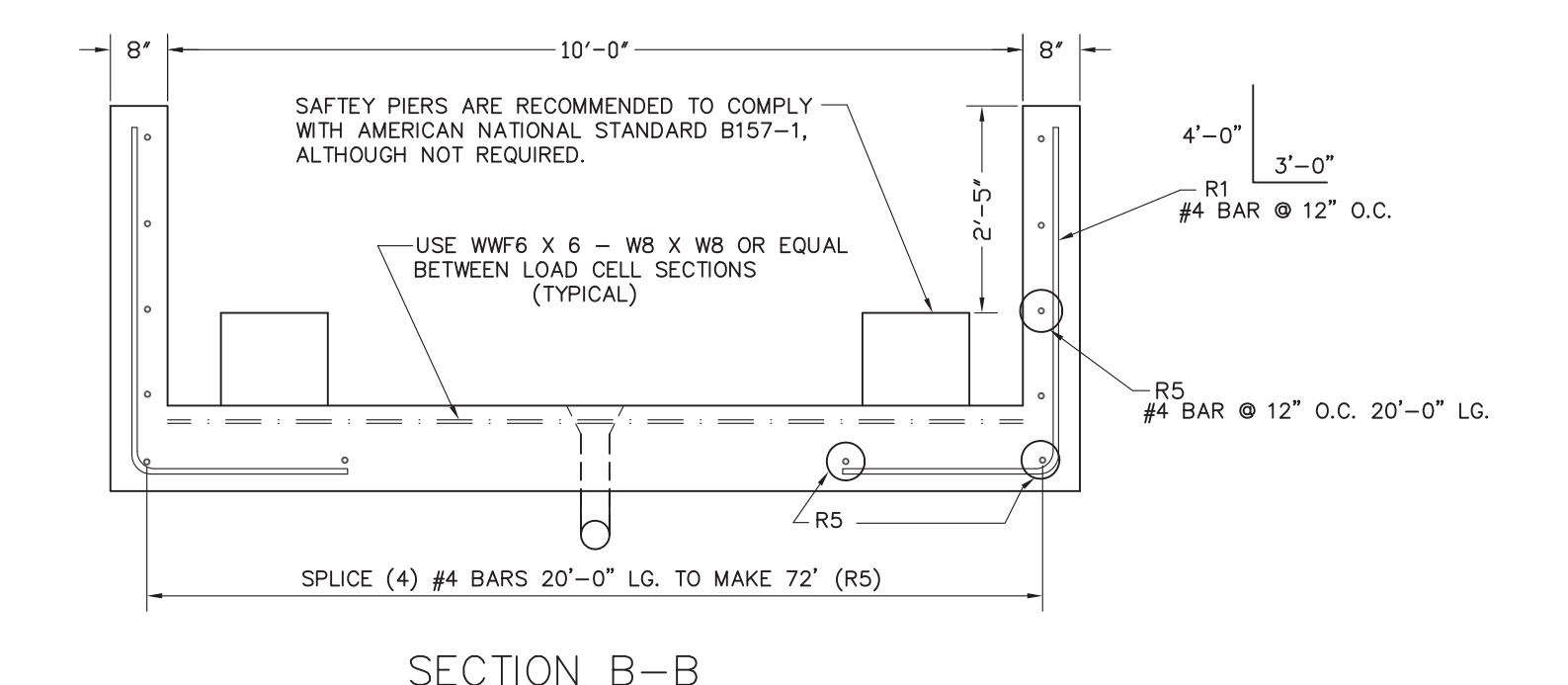
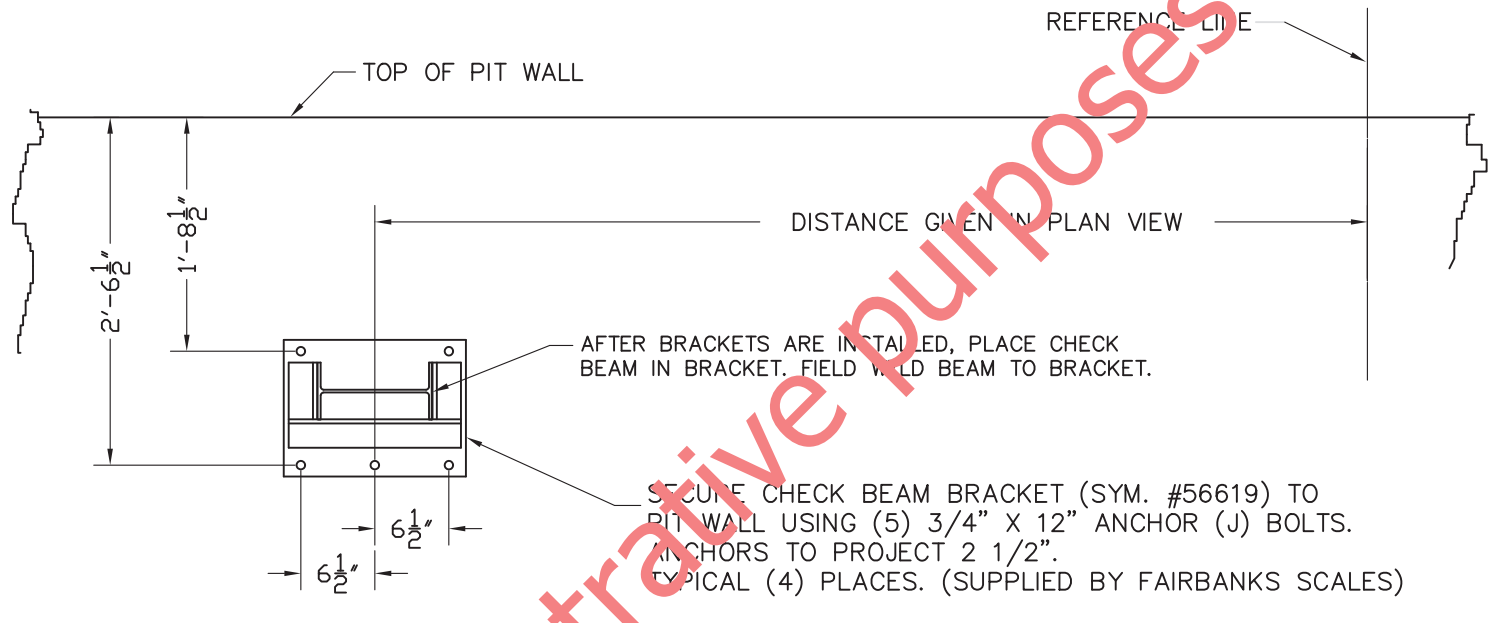
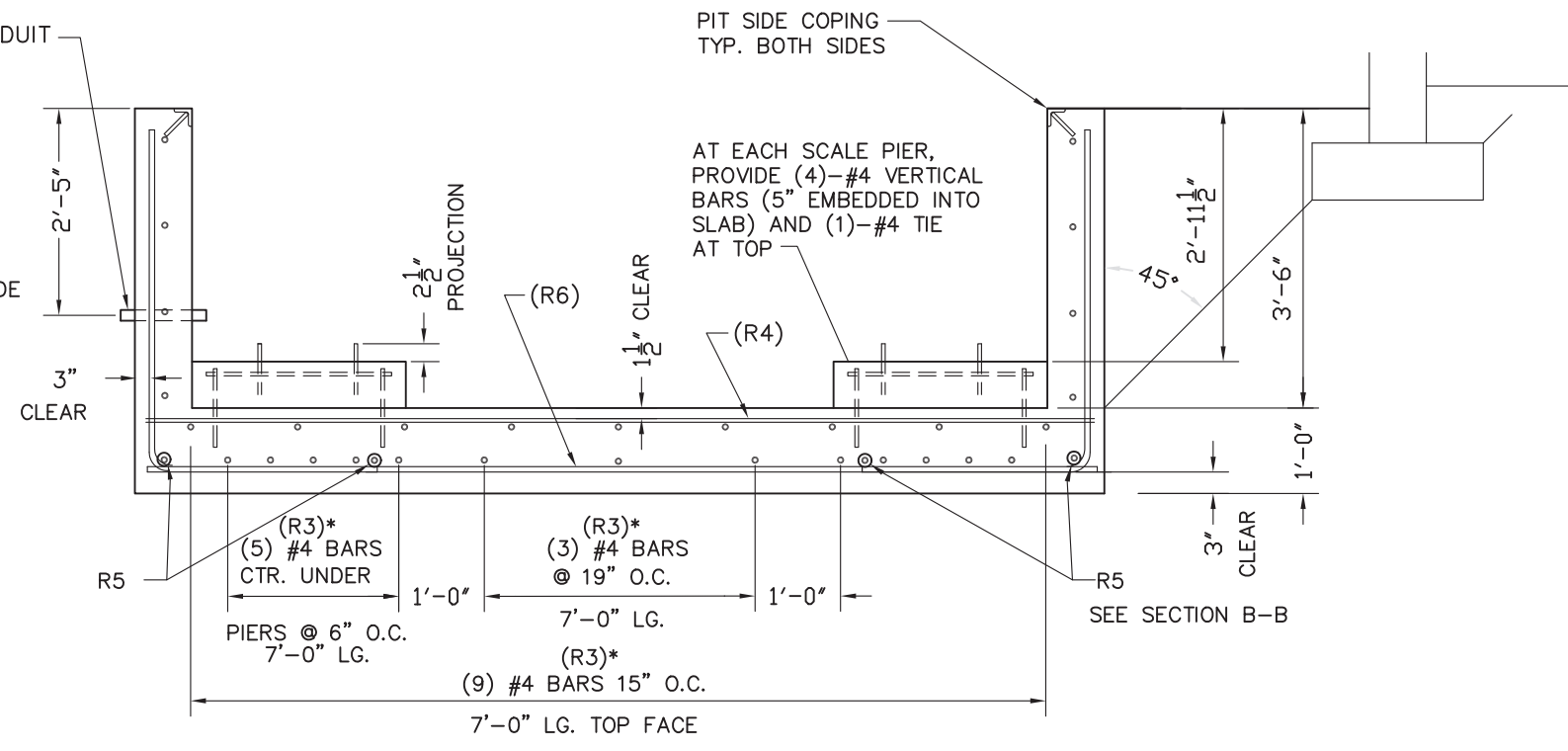


REINFORCING BAR SCHEDULE					
EXCEPT AS NOTED SECTION B-B AND THE ELEVATION VIEW					
SYM.	QTY.	SIZE	LENGTH	BENDING	WEIGHT
R1	142	#4	7'-0"	4'-0"   3'-0"	664
R2	44	#4	10'-0"	10'-0"	294
R3	66	#4	7'-0"	7'-0"	309
R4	61	#6	10'-10"	10'-10"	993
R5	48	#4	20'-0"	20'-0"	641
R6	33	#4	10'-10"	10'-10"	239
TOTAL					3140
PLUS APPROX. 680 SQUARE FEET OF WB X WB, 6" X 6" WIRE FABRIC					
ALSO SEE REINFORCING BAR & WIRE FABRIC FOR APPROACHES					

- GENERAL NOTES:
- EXCAVATION, FOUNDATION FORMS, REBARS, AND CONCRETE IS TO FURNISHED BY CONTRACTOR OR CUSTOMER.
  - REINFORCING BARS ARE TO EQUAL ASTM A615, GRADE 60. BEND BARS COLD TO CONFORM WITH REQUIRED DETAILS. REMOVE SCALE, LOOSE FLAKY RUST, DIRT, AND OTHER COATINGS THAT WOULD IMPAIR BONDING. SPACE BARS PROPERLY AND TIE SECURELY IN POSITION BEFORE PLACING CONCRETE. TACK WELDING TO KEEP REINFORCING IN PLACE IS NOT PERMITTED.
  - MATERIAL AND WORKMANSHIP TO BE IN ACCORDANCE WITH CURRENT AMERICAN CONCRETE INSTITUTE (ACI) CODE REQUIREMENTS. ALL CONCRETE TO BE A MINIMUM OF 3000 P.S.I. @ 28 DAYS. DESIGN IS BASED ON 2500 P.S.I., THEREFORE SPECIAL INSPECTION IS NOT REQUIRED UNLESS OTHERWISE REQUIRED BY LOCAL BUILDING OFFICIAL.
  - 1500 P.S.F. MINIMUM SOIL BEARING CAPACITY IS REQUIRED. THE DESIGN IS ADEQUATE FOR A HIGHWAY SURCHARGE OF 300 P.S.F. ADJACENT TO PIT WALLS. IF EXPANSIVE OR COLLAPSIBLE SOILS ARE DISCOVERED SPECIAL ASSISTANCE WILL BE REQUIRED. WATER TABLE SHALL NOT BE ABOVE BOTTOM OF PIT FLOOR SLAB.
  - REFER TO MANUAL FOR MORE DETAILED INSTRUCTIONS ON PIT CONSTRUCTION RECOMMENDATIONS.
  - WORK FROM CENTERLINES WHEN ERECTING FORMS AND PLACING FOUNDATION BOLTS. PLACE BOLTS TO WITHIN ± 1/8" OF POSITIONS INDICATED ON DRAWING. (BOLTS MUST BE PLACED WITHIN ± 1/8" OF TOTAL DIMENSIONS FROM CENTERLINE OF SCALE.
  - FOR SETTING PLAN, SEE DRAWING D91518-SP.
  - WHERE PIT FLOOR IS POURED SOLID, SUMPS, INTERCONNECTED BY 2" PVC PIPES, SHALL BE INSTALLED AT LOCATIONS INDICATED. SUMPS SHALL BE 20" DIA. X 20" DEPTH WITH CONCRETE BOTTOM. THE PIT FLOOR SHALL SLOPE 1" FROM 4 DIRECTIONS TOWARD EACH SUMP. SUMP PUMP DISCHARGE SHALL TERMINATE WITH 2" FEMALE PIPE COUPLING JUST OUTSIDE THE PIT WALL. DUPLEX RECEPTACLE (WEATHER PROOF) WITH 115V AC, SINGLE PHASE, 20 AMP, AND GROUND-FAULT PROTECTION IS REQUIRED FOR SUMP PUMP ELECTRICAL SERVICE AND SHALL BE FURNISHED BY OTHERS.
  - VARIOUS STATE WEIGHTS & MEASUREMENTS AUTHORITIES HAVE REGULATIONS, PARTICULARLY IN REGARD TO PIT DEPTH AND APPROACHES, AFFECTING PIT AND INSTALLATION. THE PIT CONTRACTOR IS RESPONSIBLE TO VERIFY THAT THIS PLAN AND INSTALLATION MEETS LOCAL MINIMUM REQUIREMENTS. FOR ASSISTANCE CONTACT NEAREST FAIRBANKS SCALES OFFICE.
  - SUITABLE CONDUIT FOR LOW VOLTAGE CONDUCTOR SHIELDED CABLE MUST PASS THRU THE PIT WALL AT ANY POINT ABOVE PIER TOPS THAT IS CONVENIENT. CONDUIT MUST EXTEND BEYOND PIT WALL A MINIMUM OF 2". FOR RUNS OF CONDUIT UP TO 50'-0" IN LENGTH, USE 1 1/2" CONDUIT. AVOID RUNNING CABLE IN CLOSE PROXIMITY TO HIGH VOLTAGE LINES. IF AC IS REQUIRED IN PIT, IT SHALL NOT RUN CLOSER THAN 24" IN PARALLEL TO ANY LOAD CELL CABLE.



APPROX. CONCRETE REQ'D	APPROX. EXCAVATION QTY. AND 215 CU. YDS. (BASED ON 2'-0" CLEARANCE AROUND SIDE OF PIT)
CAST-IN-PLACE ANCHOR BOLTS ARE NOT REQUIRED AT PIERS, BUT ARE REQUIRED SLAB/PIER END WALLS CHECKING SYSTEM.	APPROX. EXCAVATION QTY. AND 215 CU. YDS. (BASED ON 2'-0" CLEARANCE AROUND SIDE OF PIT)
APPROX. ALL PIERS MARKED "A" OR "B" MUST BE CONCRETE TO BE USED TO BE USED, DISCLOSED, COPIED, TRANSFERRED OR REPRODUCED WITHOUT THE PRIOR WRITTEN PERMISSION OF FAIRBANKS SCALES.	APPROX. EXCAVATION QTY. AND 215 CU. YDS. (BASED ON 2'-0" CLEARANCE AROUND SIDE OF PIT)
TOTAL W/O SAFETY PIERS 59 CU. YDS.	TOTAL W/ SAFETY PIERS 56 CU. YDS.

LET	BY	DATE	REVISION
A	SLS	1/19/08	ADDED CENTER SIDE WALL CHK. DETAIL
B	BT	5/3/08	APPROACH DIM.
C	SLS	11/08	REVISED ANCHOR BOLTS

<b>FAIRBANKS SCALES</b>	
Meridian, Mississippi	
10'-20'-40'x10' HIGHWAY SYSTEM REINFORCED PIT FULL ELECTRONIC CAP. 100 TON 70K CLC 7 SECTION	
date	12/14/09
material	PLT-2600-5MOHS1
N/A	per ft. sheet 1 of 1
drawn by	SLS
checked by	
approved by	D91518-RP4-CA

For illustrative purposes ONLY - NOT for construction!