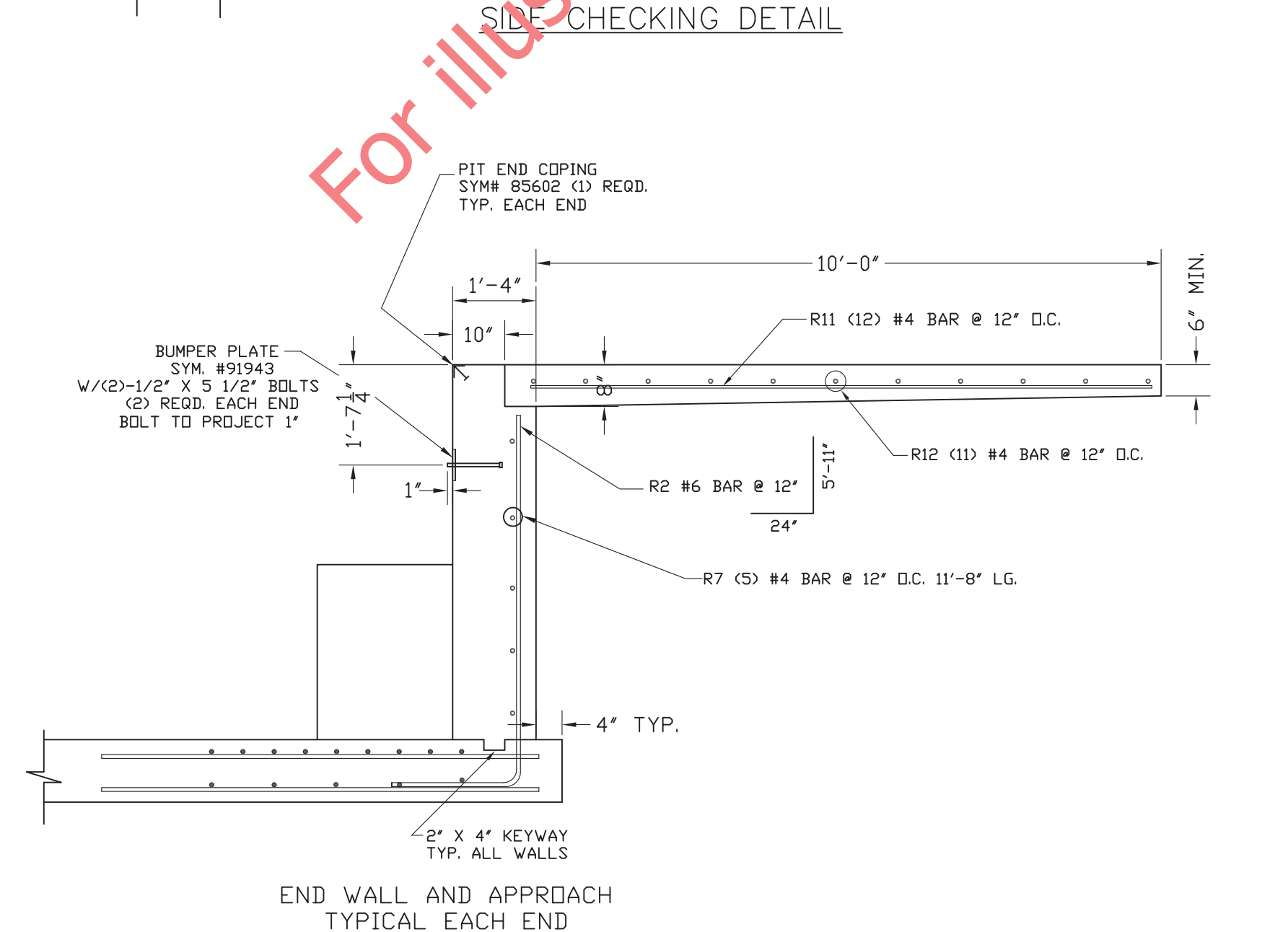
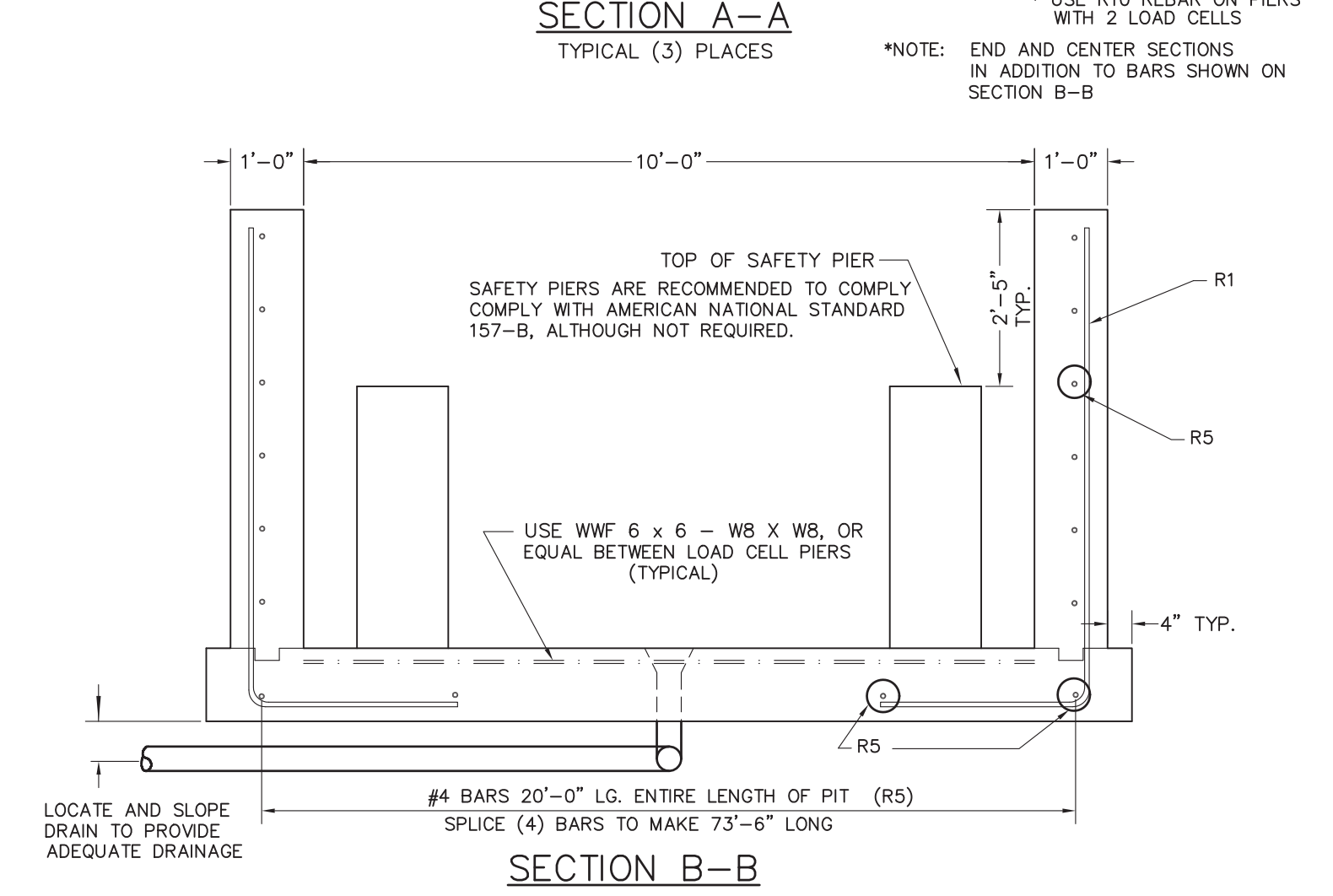
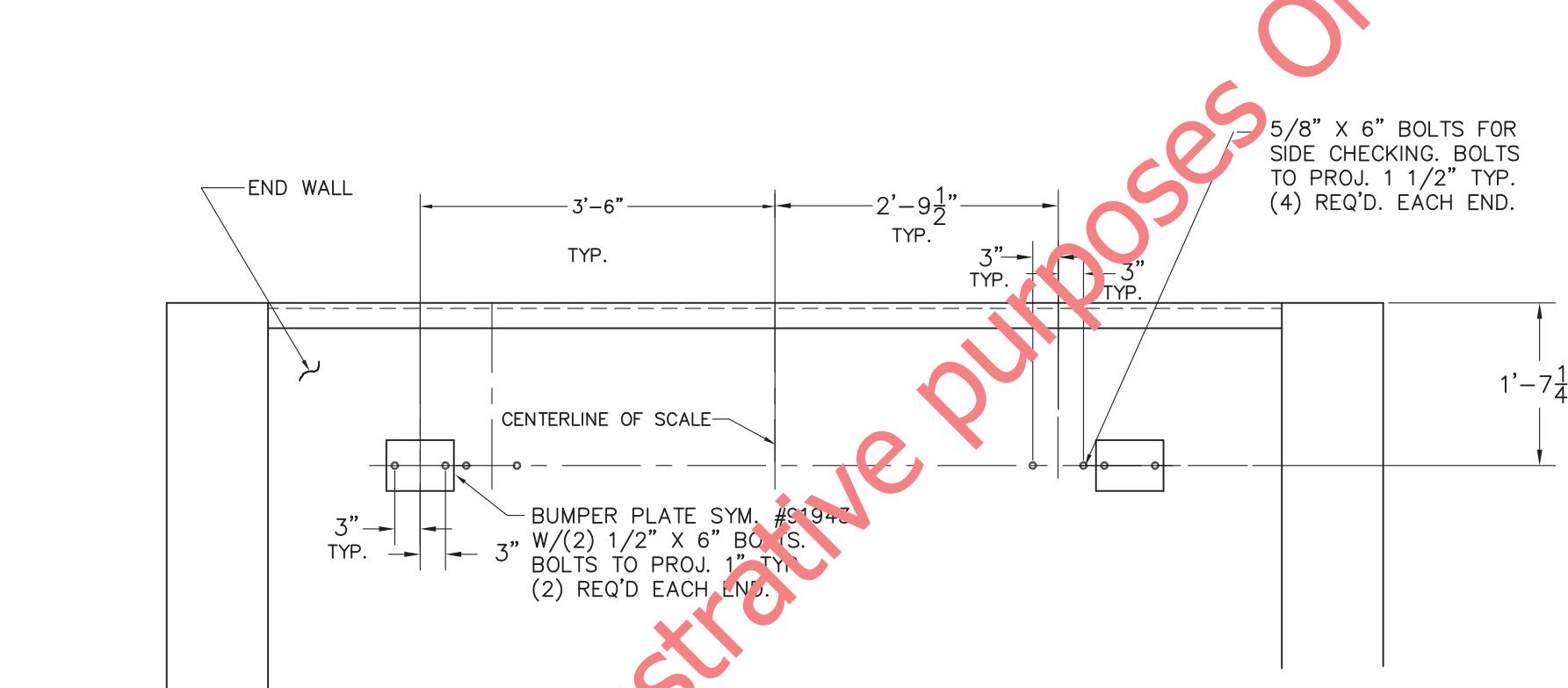
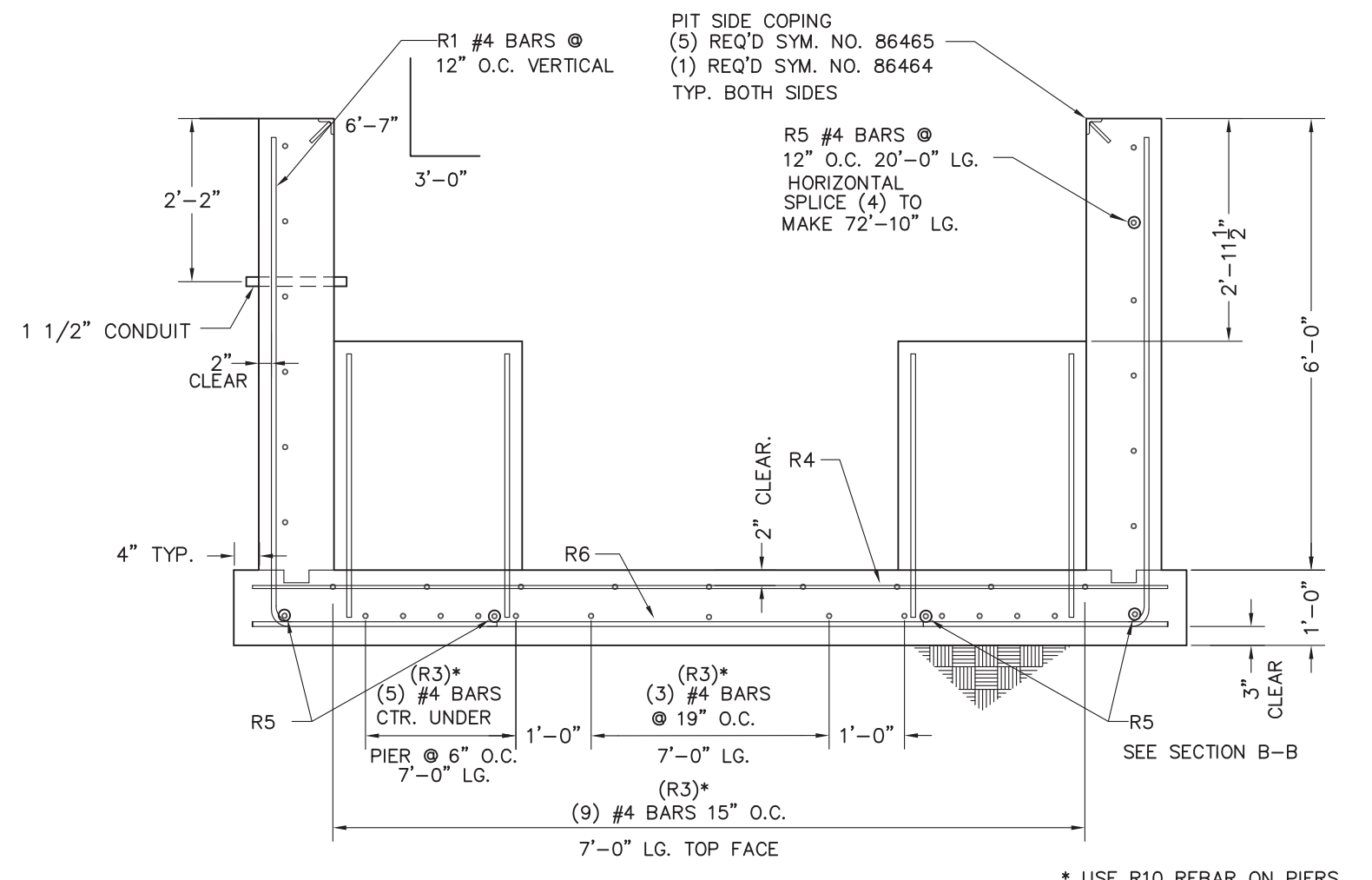
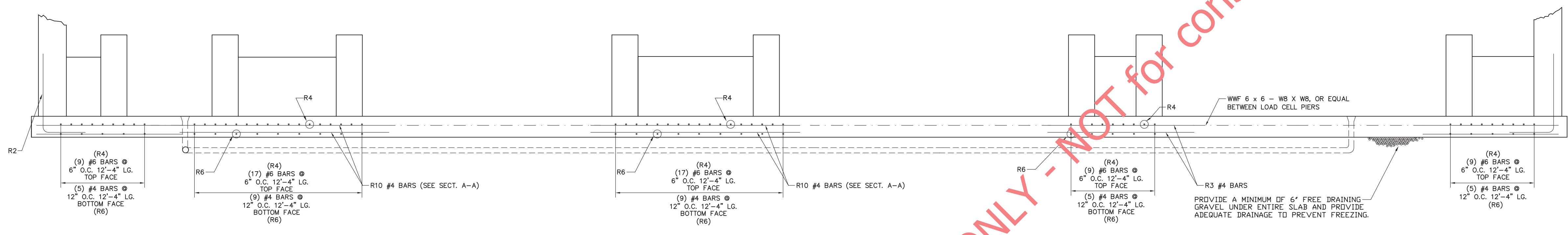


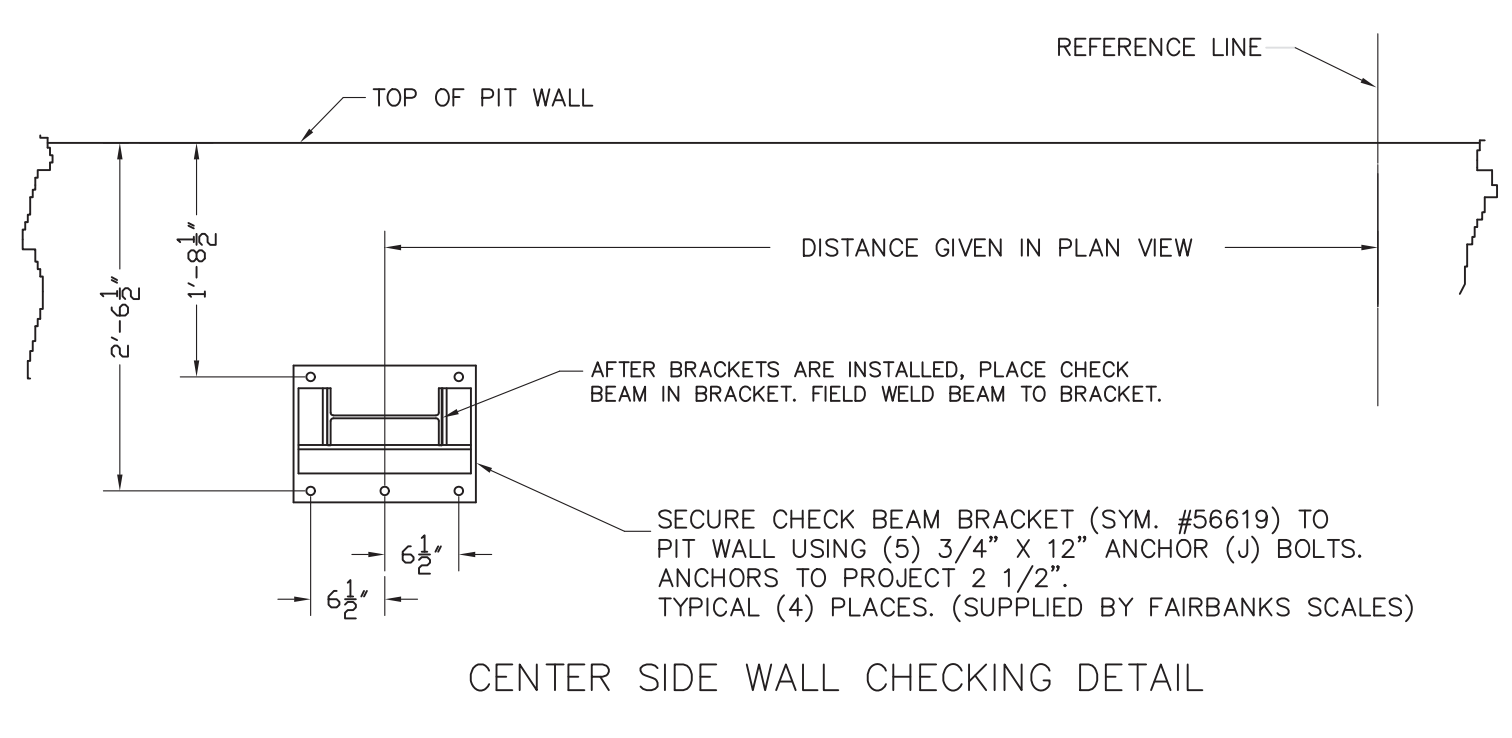
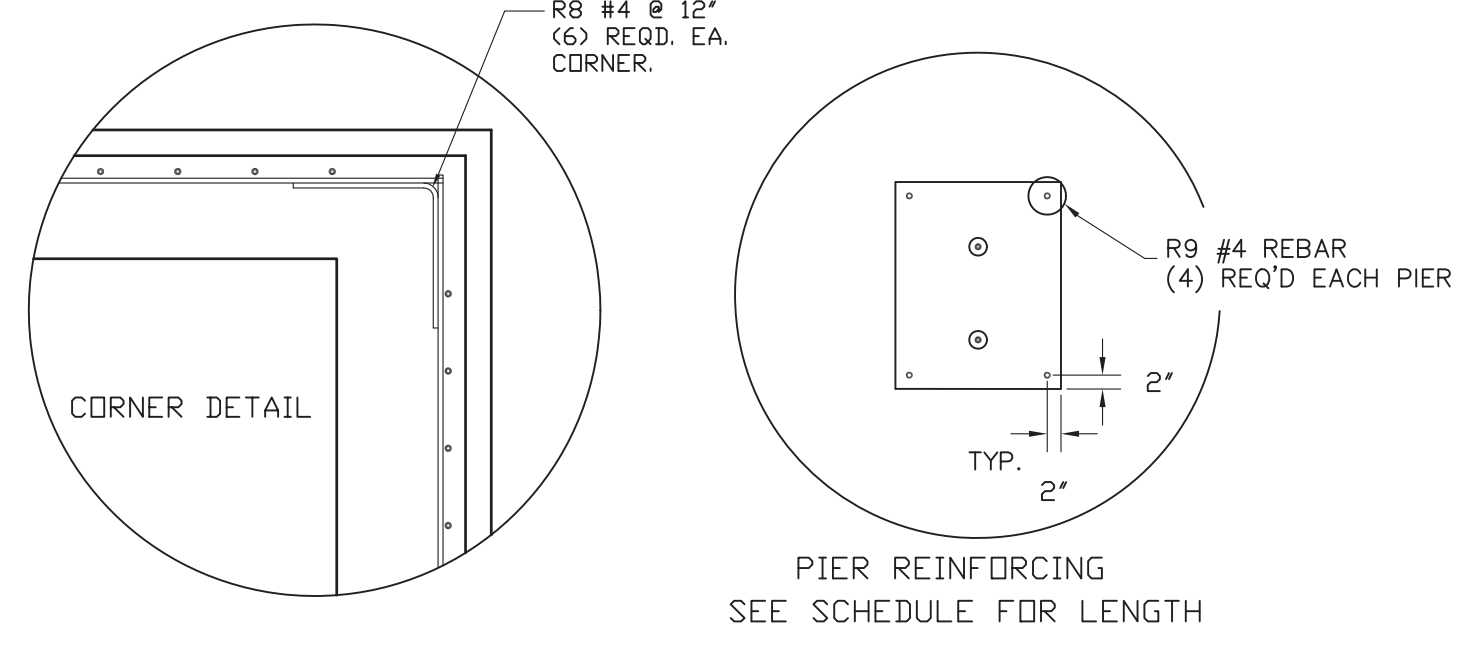
REINFORCING BAR SCHEDULE					
SYM.	QTY.	SIZE	LENGTH	BENDING	WEIGHT
R1	142	#4	9'-7"	6'-7" 3'-0"	909
R2	22	#6	7'-11"	5'-11" 2'-0"	262
R3	66	#4	7'-0"	7'-0"	309
R4	61	#6	12'-4"	12'-4"	1130
R5	64	#4	20'-0"	20'-0"	855
R6	33	#4	12'-4"	12'-4"	272
R7	10	#4	11'-8"	11'-8"	78
R8	24	#4	4'-0"	2'-0" 2'-0"	64
R9	56	#4	3'-6"	3'-6"	131
R10	44	#4	10'-0"	10'-0"	294
REINFORCING BAR SCHEDULE FOR APPROACHES					
R11	24	#4	10'-0"	10'-0"	160
R12	22	#4	11'-8"	11'-8"	171
TOTAL					4635
PLUS APPROX. 620 SQUARE FEET OF WWF 6 x 6 - W8 X W8					

APPROX. CONCRETE REQ'D.	
SLAB/PIERS	41 CU. YDS.
WALLS	38 CU. YDS.
APPROACHES	5 CU. YDS.
TOTAL W/O SAFETY PIERS	84 CU. YDS.
TOTAL W/ SAFETY PIERS	87 CU. YDS.

APPROX. EXCAVATION QTY = 341 CU. YDS.
(BASED ON 2'-0" CLEARANCE AROUND SIDE OF PIT)



- GENERAL NOTES:**
- EXCAVATION, FOUNDATION FORMS, REBARS, AND CONCRETE IS TO BE FURNISHED BY CONTRACTOR OR CUSTOMER.
 - REINFORCING BARS ARE TO EQUAL ASTM A615, GRADE 40 OR 60. BEND BARS COLD TO CONFORM WITH REQUIRED DETAILS. REMOVE SCALE, LOOSE FLAKY RUST, DIRT, AND OTHER COATING THAT WOULD IMPAIR BONDING. SPACE BARS PROPERLY AND TIE SECURELY IN POSITION BEFORE PLACING CONCRETE. TACK WELDING TO KEEP REINFORCING IN PLACE IS NOT PERMITTED.
 - MATERIAL AND WORKMANSHIP TO BE IN ACCORDANCE WITH CURRENT AMERICAN CONCRETE INSTITUTE (ACI) CODE REQUIREMENTS. ALL CONCRETE TO BE A MINIMUM OF 3500 P.S.I. @ 28 DAYS.
 - 1500 P.S.F. MINIMUM SOIL BEARING CAPACITY IS REQUIRED. THE DESIGN IS ADEQUATE FOR A HIGHWAY SURCHARGE OF 300 P.S.F. ADJACENT TO PIT WALLS.
 - REFER TO SJ MANUAL 3884 FOR MORE DETAILED INSTRUCTIONS ON PIT CONSTRUCTION RECOMMENDATIONS.
 - WORK FROM CENTERLINES WHEN ERECTING FORMS AND PLACING FOUNDATION BOLTS. PLACE BOLTS TO WITHIN ±1/8" OF POSITIONS INDICATED ON DRAWING. (BOLTS MUST BE PLACED WITHIN ±1/8" OF TOTAL DIMENSIONS FROM CENTERLINE OF SCALE.)
 - FOR SETTING PLAN, SEE DRAWING D91518-SP
 - CLEARANCE DIMENSION FROM BOTTOM OF MAIN GIRDER TO PIT FLOOR IS 21".
 - VARIOUS STATE WEIGHTS & MEASURES AUTHORITIES HAVE REGULATIONS, PARTICULARLY IN REGARD TO PIT DEPTH AND APPROACHES, AFFECTING PIT AND INSTALLATION. THE PIT CONTRACTOR IS RESPONSIBLE TO VERIFY THAT THIS PLAN AND INSTALLATION MEETS LOCAL MINIMUM REQUIREMENTS. FOR ASSISTANCE CONTACT NEAREST FAIRBANKS SCALES OFFICE.
 - SUITABLE CONDUIT FOR LOW VOLTAGE CONDUCTOR SHIELDED CABLE MUST PASS THRU THE PIT WALL AT ANY POINT ABOVE PIER TOPS THAT IS CONVENIENT. CONDUIT MUST EXTEND BEYOND PIT WALL A MINIMUM OF 2". FOR RUNS OF CONDUIT UP TO 50'-0" IN LENGTH, USE 1 1/2" CONDUIT. AVOID RUNNING CABLE IN CLOSE PROXIMITY TO HIGH VOLTAGE LINES. IF AC IS REQUIRED IN PIT, IT SHALL NOT RUN CLOSER THAN 24" IN PARALLEL TO ANY CELL CABLE.



LET	BY	DATE	REVISION
			MADE FROM D91518-RP6

FAIRBANKS SCALES Meridian, Mississippi 10'-20'-40'x10' HIGHWAY SYSTEM REINFORCED PIT FULL ELECTRONIC CAP. 100 TON 70K CLC 7 SECTION		date: 5/24/04 material: PLT-2600-5MOHS1 N/A scale sheet 1 of 1 drawn by: CB 6' DEEP PIT WISCONSIN D91518-RP6-WI
---	--	--

For illustrative purposes ONLY - NOT for construction!