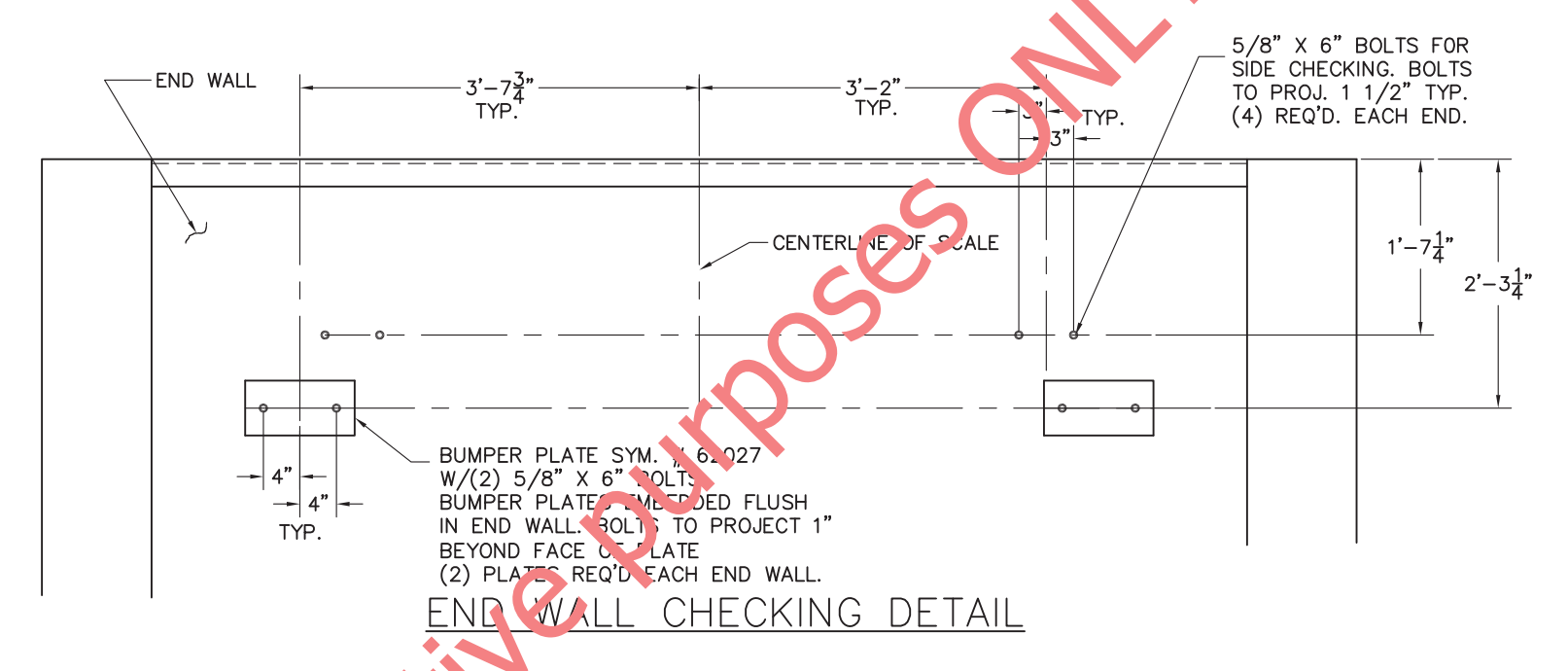


SECTION A-A
TYPICAL (6) PLACES

*NOTE: UNDER LOAD CELL PIERS A & B IN ADDITION TO BARS SHOWN ON SECTION B-B



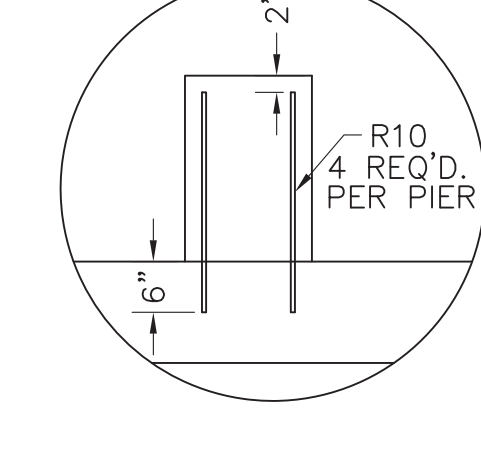
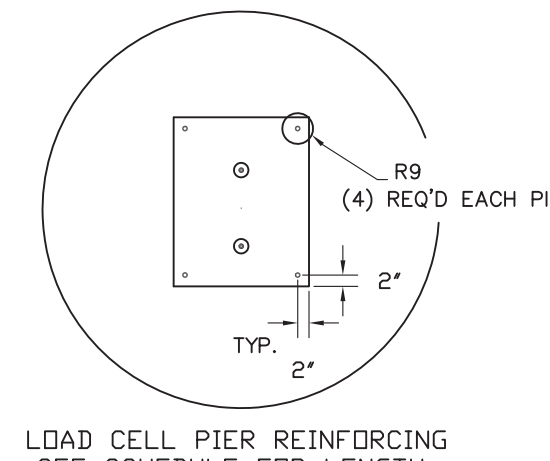
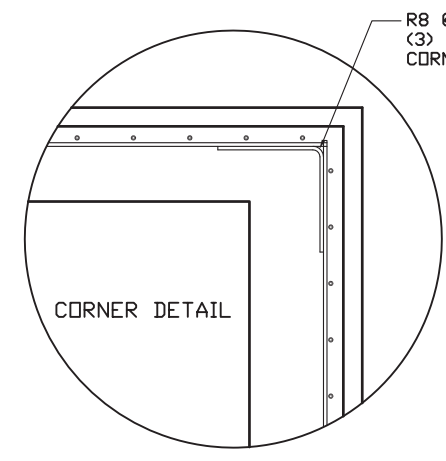
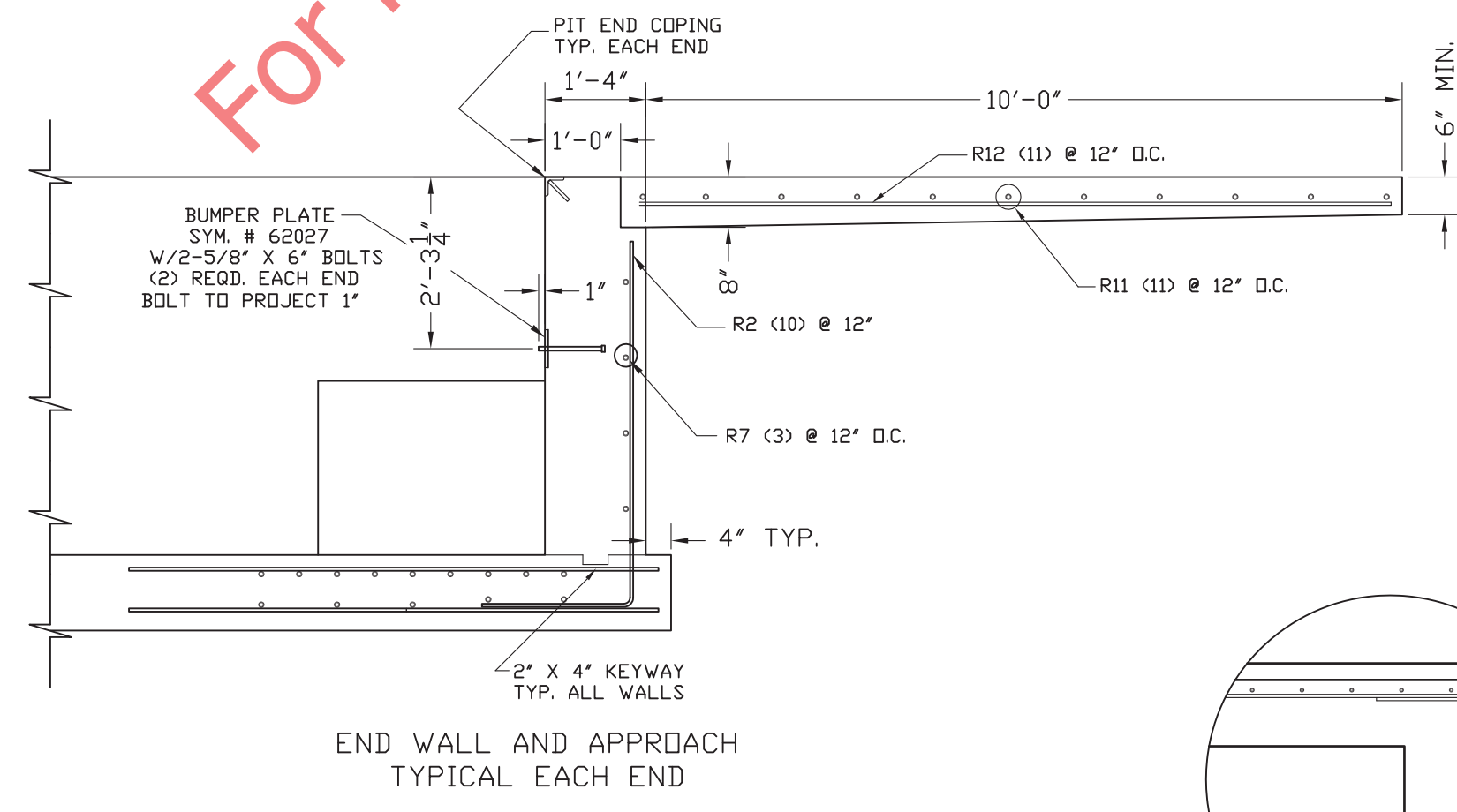
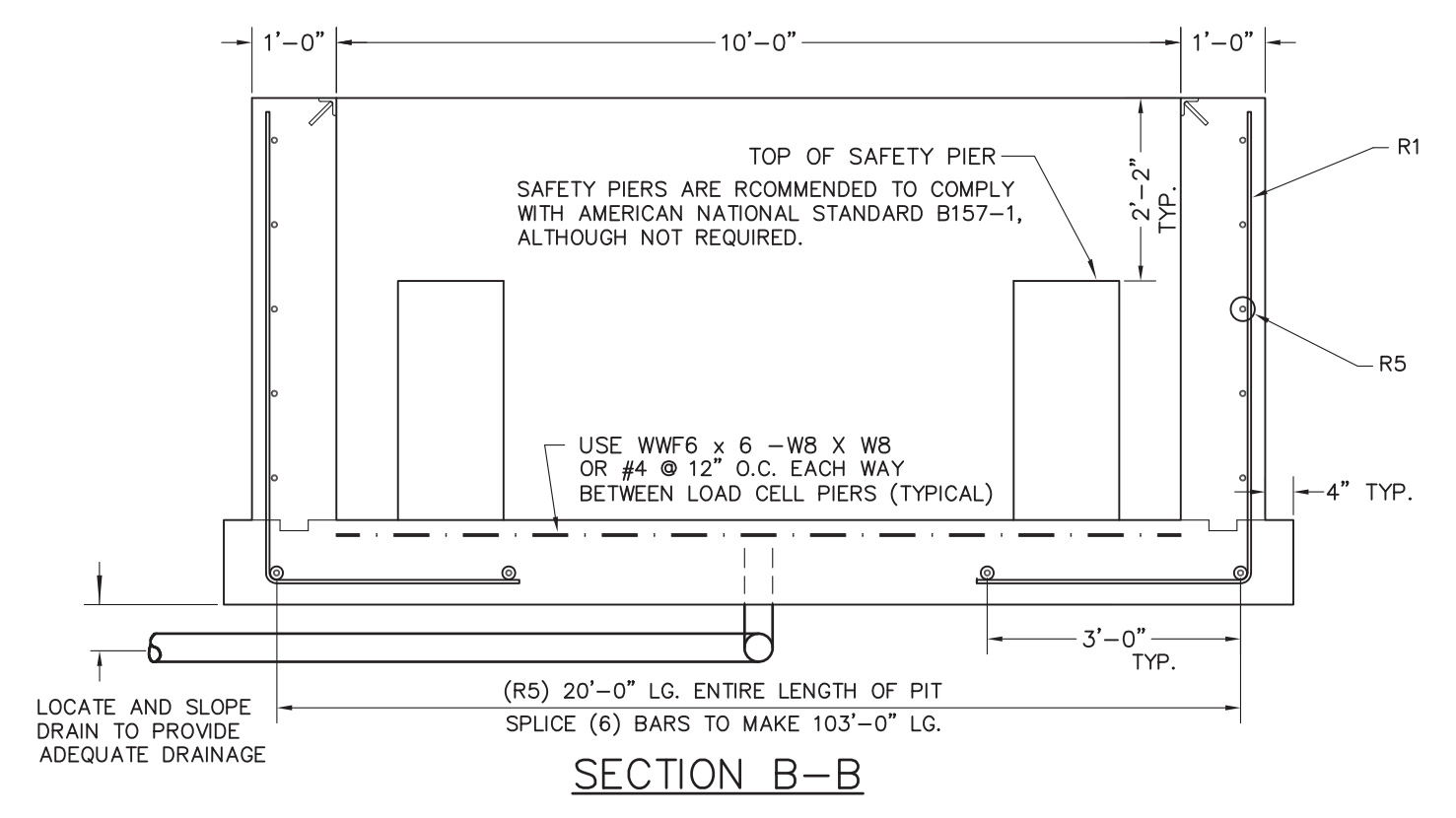
REINFORCING BAR SCHEDULE					
SYM.	QTY.	SIZE	LENGTH	BENDING	WEIGHT
R1	204	#4	8'-7"	5'-7" 3'-0"	1170
R2	20	#6	6'-10"	4'-10" 24"	205
R3	132	#4	7'-0"	7'-0"	617
R4	54	#6	12'-4"	12'-4"	1000
R5	72	#4	20'-0"	20'-0"	962
R6	30	#4	12'-4"	12'-4"	247
R7	6	#4	11'-8"	11'-8"	47
R8	12	#4	4'-0"	2'-0" 2'-0"	32
R9	48	#4	1'-10"	1'-10"	59
R10	80	#4	3'-2"	3'-2"	169
REINFORCING BAR SCHEDULE FOR APPROACHES					
R11	22	#4	11'-8"	11'-8"	172
R12	22	#4	10'-0"	10'-0"	148
TOTAL					4828

PLUS APPROX. 820 SQUARE FEET OF W8 X W8, 6" X 6" WIRE FABRIC

APPROX. CONCRETE REQ'D.	
SLAB/PIERS	54 CU. YDS.
WALLS	43 CU. YDS.
APPROACHES	5 CU. YDS.
TOTAL W/O SAFETY PIERS	102 CU. YDS.
TOTAL W/ SAFETY PIERS	105 CU. YDS.

APPROX. EXCAVATION QTY = 400 CU. YDS. (BASED ON 2'-0" CLEARANCE AROUND SIDE OF PIT)

- GENERAL NOTES:
- EXCAVATION, FOUNDATION FORMS, REBARS, AND CONCRETE IS TO BE FURNISHED BY CONTRACTOR OR CUSTOMER.
 - REINFORCING BARS ARE TO EQUAL ASTM A615, GRADE 40 OR 60. BEND BARS COLD TO CONFORM WITH REQUIRED DETAILS. REMOVE SCALE, LOOSE FLAKY RUST, DIRT, AND OTHER COATING THAT WOULD IMPAIR BONDING. SPACE BARS PROPERLY AND TIE SECURELY IN POSITION BEFORE PLACING CONCRETE. TACK WELDING TO KEEP REINFORCING IN PLACE IS NOT PERMITTED.
 - MATERIAL AND WORKMANSHIP TO BE IN ACCORDANCE WITH CURRENT AMERICAN CONCRETE INSTITUTE (ACI) CODE REQUIREMENTS. ALL CONCRETE TO BE A MINIMUM OF 3500 P.S.I. @ 28 DAYS.
 - 1500 P.S.F. MINIMUM SOIL BEARING CAPACITY IS REQUIRED. THE DESIGN IS ADEQUATE FOR A HIGHWAY SURCHARGE OF 300 P.S.F. ADJACENT TO PIT WALLS.
 - REFER TO SJ MANUAL 3884 FOR MORE DETAILED INSTRUCTIONS ON PIT CONSTRUCTION RECOMMENDATIONS.
 - WORK FROM CENTERLINES WHEN ERECTING FORMS AND PLACING FOUNDATION BOLTS. PLACE BOLTS TO WITHIN ±1/8" OF POSITIONS INDICATED ON DRAWING. (BOLTS MUST BE PLACED WITHIN ±1/8" OF TOTAL DIMENSIONS FROM CENTERLINE OF SCALE.)
 - FOR SETTING PLAN, SEE DRAWING D91381-SP
 - CLEARANCE DIMENSION FROM BOTTOM OF MAIN GIRDER TO PIT FLOOR IS 24".
 - VARIOUS STATE WEIGHTS & MEASURES AUTHORITIES HAVE REGULATIONS, PARTICULARLY IN REGARD TO PIT DEPTH AND APPROACHES, AFFECTING PIT AND INSTALLATION. THE PIT CONTRACTOR IS RESPONSIBLE TO VERIFY THAT THAT THIS PLAN AND INSTALLATION MEETS LOCAL MINIMUM REQUIREMENTS. FOR ASSISTANCE CONTACT NEAREST FAIRBANKS SCALES OFFICE.
 - SOME STATES REQUIRE THAT CONCRETE PIERS BE POURED MONOLITHIC WITH SIDE WALLS. (RECOMMENDED METHOD)
 - SUITABLE CONDUIT FOR LOW VOLTAGE CONDUCTOR SHIELDED CABLE MUST PASS THRU THE PIT WALL AT ANY POINT ABOVE PIER TOPS THAT IS CONVENIENT. CONDUIT MUST EXTEND BEYOND PIT WALL A MINIMUM OF 2". FOR RUNS OF CONDUIT UP TO 50'-0" IN LENGTH, USE 1 1/2" CONDUIT. AVOID RUNNING CABLE IN CLOSE PROXIMITY TO HIGH VOLTAGE LINES. IF AC IS REQUIRED IN PIT, IT SHALL NOT RUN CLOSER THAN 24" IN PARALLEL TO ANY CELL CABLE.



LET	BY	DATE	REVISION

FAIRBANKS SCALES	
Meridian, Mississippi	
100' X 10' REINFORCED PIT	
6-SECTION FULL ELECTRONIC w/ROCKER COLUMN LOAD CELLS	
CAP. 100 TON 70K CLC	
DATE	8/27/99
SCALE	PLT-2600RC-550
DESCRIPTION	N/A
IN. PER FT.	Sheet 1 of 1
DRAWN BY	SJA
5' DEEP PIT	
D91381-RP5	

The material and information contained herein is confidential and is the property of Fairbanks Scales and is not to be used, disclosed, copied, transferred or reproduced without the prior written permission of Fairbanks.

Unless otherwise specified dimensions are in inches. Tolerances: Fractions: 1/8" Angles: 1° 3 place decimals. 2 Place decimals: Hole diameter: ±1/32"

MATERIAL FINISH checked by approved by