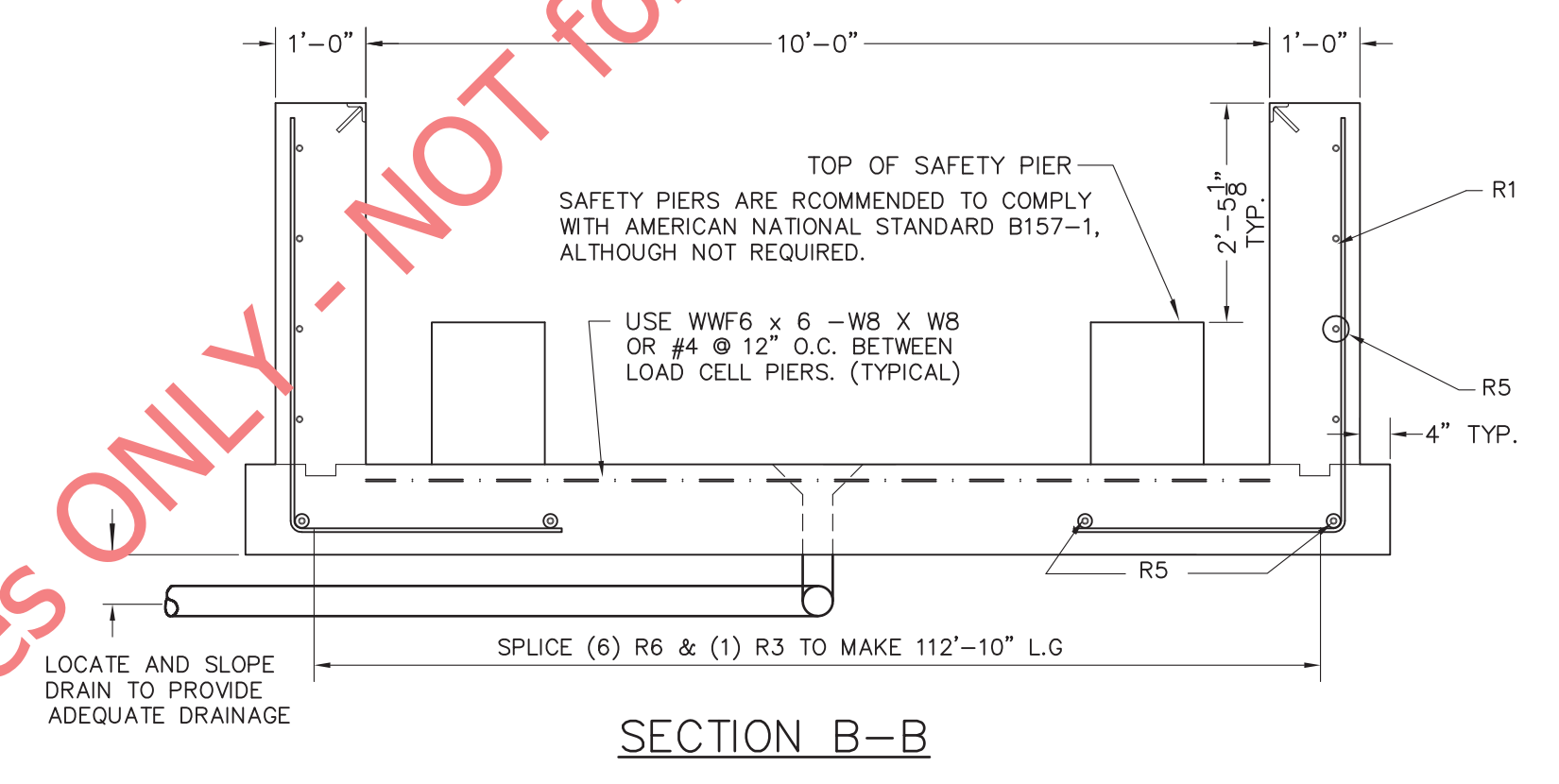
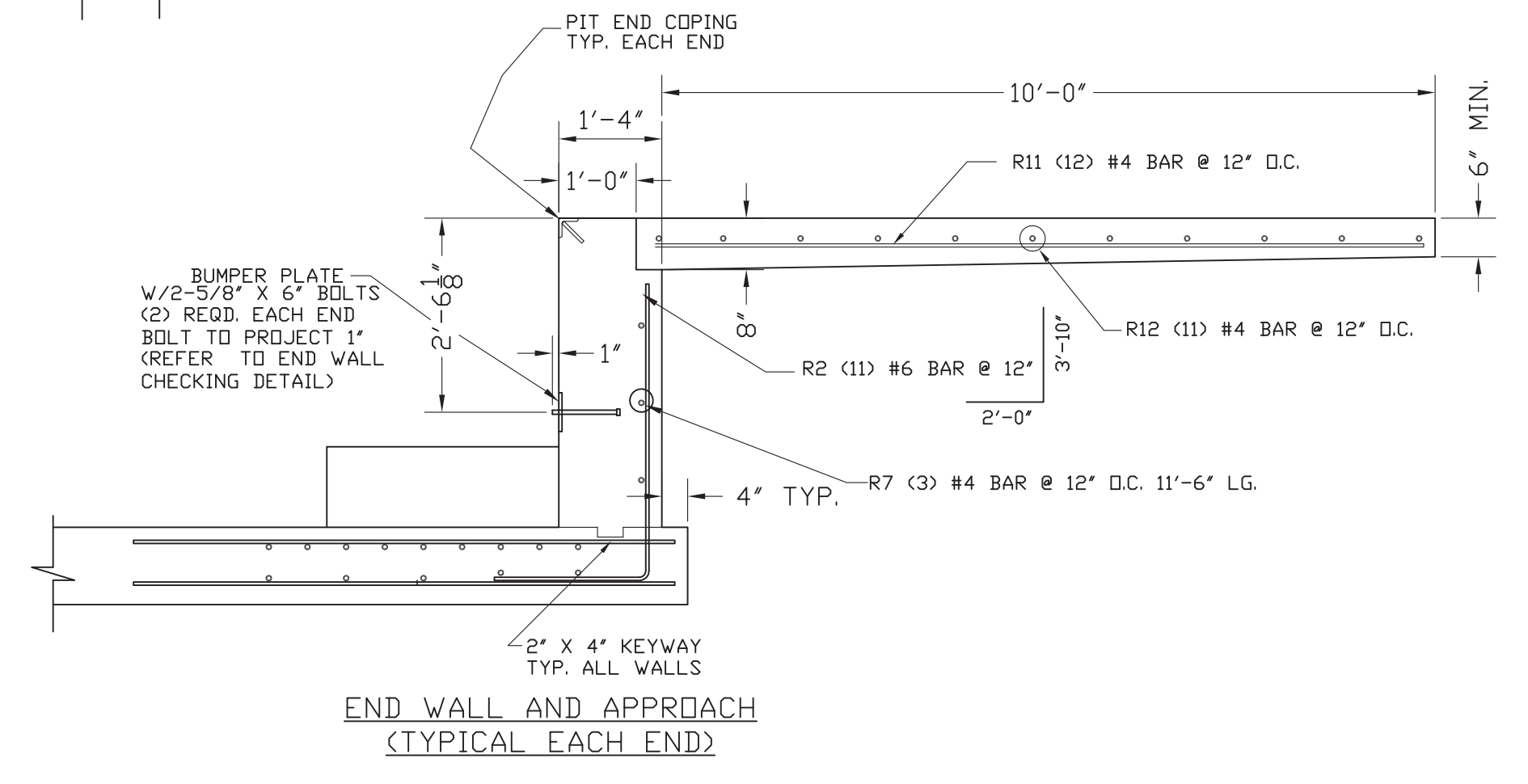
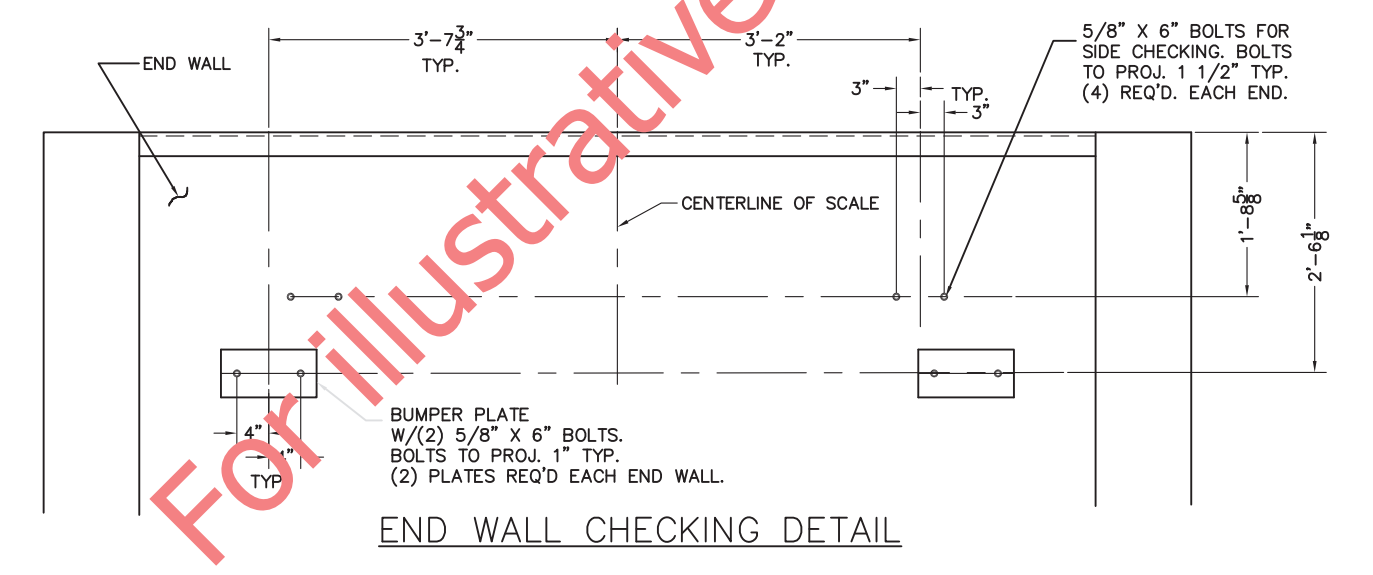


APPROX. CONCRETE REQ'D.

SLAB/PIERS	55 CU. YDS.
WALLS	39 CU. YDS.
APPROACHES	5 CU. YDS.
TOTAL W/O SAFETY PIERS	99 CU. YDS.
TOTAL W/ SAFETY PIERS	101 CU. YDS.



- GENERAL NOTES
- EXCAVATION, FOUNDATION FORMS, REBARS, AND CONCRETE IS TO BE FURNISHED BY CONTRACTOR OR CUSTOMER.
 - REINFORCING BARS ARE TO EQUAL ASTM A615, GRADE 50 OR 60. BEND BARS COLD TO CONFORM WITH REQUIRED DETAILS. REMOVE SCALE, LOOSE FLAKY RUST, DIRT, AND OTHER COATING THAT WOULD IMPAIR BONDING. SPACE BARS PROPERLY AND TIE SECURELY IN POSITION BEFORE PLACING CONCRETE. TACK WELDING TO KEEP REINFORCING IN PLACE IS NOT PERMITTED.
 - MATERIAL AND WORKMANSHIP TO BE IN ACCORDANCE WITH CURRENT AMERICAN CONCRETE INSTITUTE (ACI) CODE REQUIREMENTS. ALL CONCRETE TO BE A MINIMUM OF 3000 P.S.I. @ 28 DAYS.
 - 1500 P.S.F. MINIMUM SOIL BEARING CAPACITY IS REQUIRED. THE DESIGN IS ADEQUATE FOR HIGHWAY SURCHARGE OR 300 P.S.F. ADJACENT TO PIT WALLS.
 - REFER TO S.J. MANUAL 3884 FOR MORE DETAILED INSTRUCTIONS ON PIT CONSTRUCTION RECOMMENDATIONS.
 - WORK FROM CENTERLINES WHEN ERECTING FORMS AND PLACING FOUNDATION BOLTS. PLACE BOLTS TO WITHIN ± 1/8" OF POSITIONS INDICATED ON DRAWINGS. (BOLTS MUST BE PLACED WITHIN ± 1/8" OF TOTAL DIMENSIONS FROM CENTERLINE OF SCALE.)
 - FOR SETTING PLAN, SEE DRAWING D91382-SP.
 - CLEARANCE DIMENSION FOR BOTTOM OF MAIN GIRDER TO PIT FLOOR IS 20 7/8".
 - VARIOUS STATE WEIGHTS AND MEASURES AUTHORITIES HAVE REGULATIONS, PARTICULARLY IN REGARD TO PIT DEPTH AND APPROACHES, AFFECTING PIT AND INSTALLATION. THE PIT CONTRACTOR IS RESPONSIBLE TO VERIFY THAT THIS PLAN AND INSTALLATION MEETS LOCAL MINIMUM REQUIREMENTS. FOR ASSISTANCE, CONTACT NEAREST FAIRBANKS SCALE OFFICE.
 - SOME STATES REQUIRE THAT CONCRETE PIERS BE POUR MONOLITHIC WITH SIDE WALLS. (RECOMMENDED METHOD)
 - SUITABLE CONDUIT FOR LOW VOLTAGE CONDUCTOR SHIELDED CABLE MUST PASS THRU THE PIT WALL AT ANY POINT ABOVE PIER TOPS THAT IS CONVENIENT. CONDUIT MUST EXTEND BEYOND PIT WALL A MINIMUM DR 2". FOR RUNS OF CONDUIT UP TO 50'-0" IN LENGTH, USE 1 1/2" CONDUIT. AVOID RUNNING CABLE IN CLOSE PROXIMITY TO HIGH VOLTAGE LINES. IF AS IS REQUIRED IN PIT, IT SHALL NOT RUN CLOSER THAN 24" IN PARALLEL TO ANY CELL CABLE.
 - CAST-IN-PLACE ANCHOR BOLTS ARE NOT REQUIRED AT PIERS, BUT ARE REQUIRED IN THE END WALLS FOR CHECKING SYSTEM.
 - TOPS OF ALL PIERS MARKED 'A' OR 'B' MUST BE SMOOTH, FLAT, AND LEVEL FOR LOADCELL BASE PLATES TO BEAR PROPERLY.

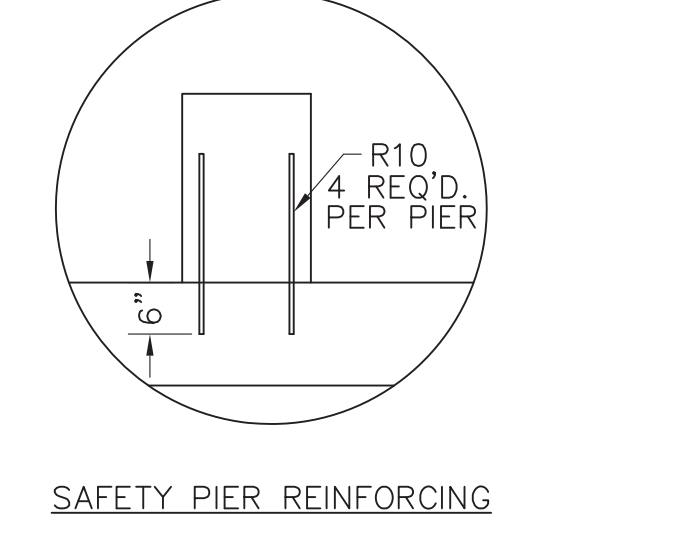
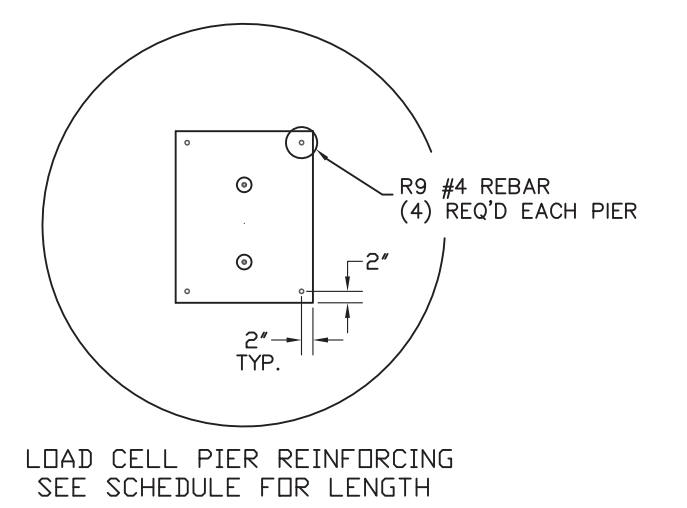


APPROX. EXCAVATION QTY = 380 CU. YDS.
(BASED ON 2'-0" CLEARANCE AROUND SIDE OF PIT)

REINFORCING BAR SCHEDULE

SYM.	QTY.	SIZE	LENGTH	BENDING	WEIGHT
R1	222	#4	7'-6"	4'-6" 3'-0"	1,112
R2	22	#6	5'-9"	3'-9" 2'-0"	190
R3	204	#4	7'-0"	7'-0"	954
R4	54	#6	12'-2"	12'-2"	987
R5	72	#4	20'-0"	20'-0"	962
R6	30	#4	12'-2"	12'-2"	244
R7	6	#4	11'-6"	11'-6"	46
R8	16	#4	4'-0"	2'-0" 2'-0"	43
R9	48	#4	1'-6"	1'-6"	48
R10	80	#4	1'-10"	1'-10"	98
REINFORCING BAR SCHEDULE FOR APPROACHES					
R11	24	#4	10'-0"	10'-0"	160
R12	22	#4	11'-6"	11'-6"	169
TOTAL					5,013

PLUS APPROX. 828 SQUARE FEET OF WWF 6 x 6 - WB x WB



LET	BY	DATE	REVISION

FAIRBANKS SCALES
Meridian, Mississippi

110' X 10' REINFORCED PIT
6-SECTION FULL ELECTRONIC
CAP. 100 TON 70K CLC
PLT-2600RC-SU0

1/3/03

N/A

3 place decimals
2 place decimals
11/32"

checked by
approved by

sheet 1 of 1

4' DEEP PIT

D91382-RP4