

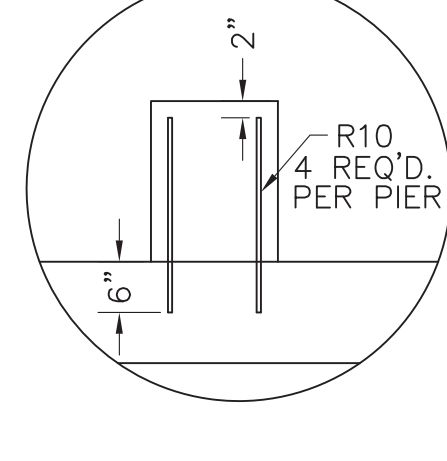
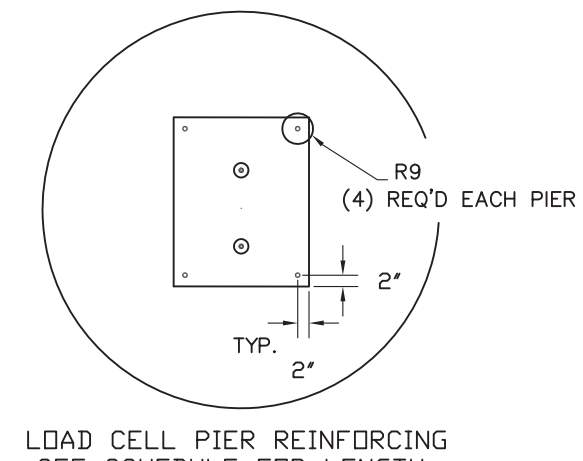
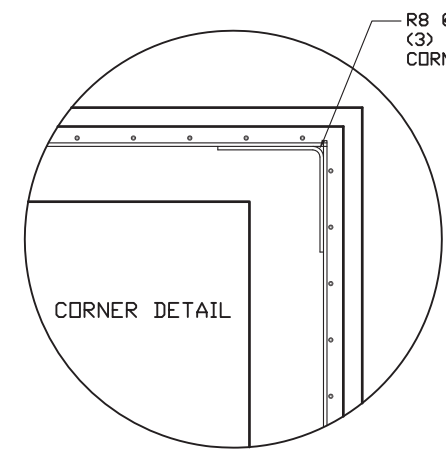
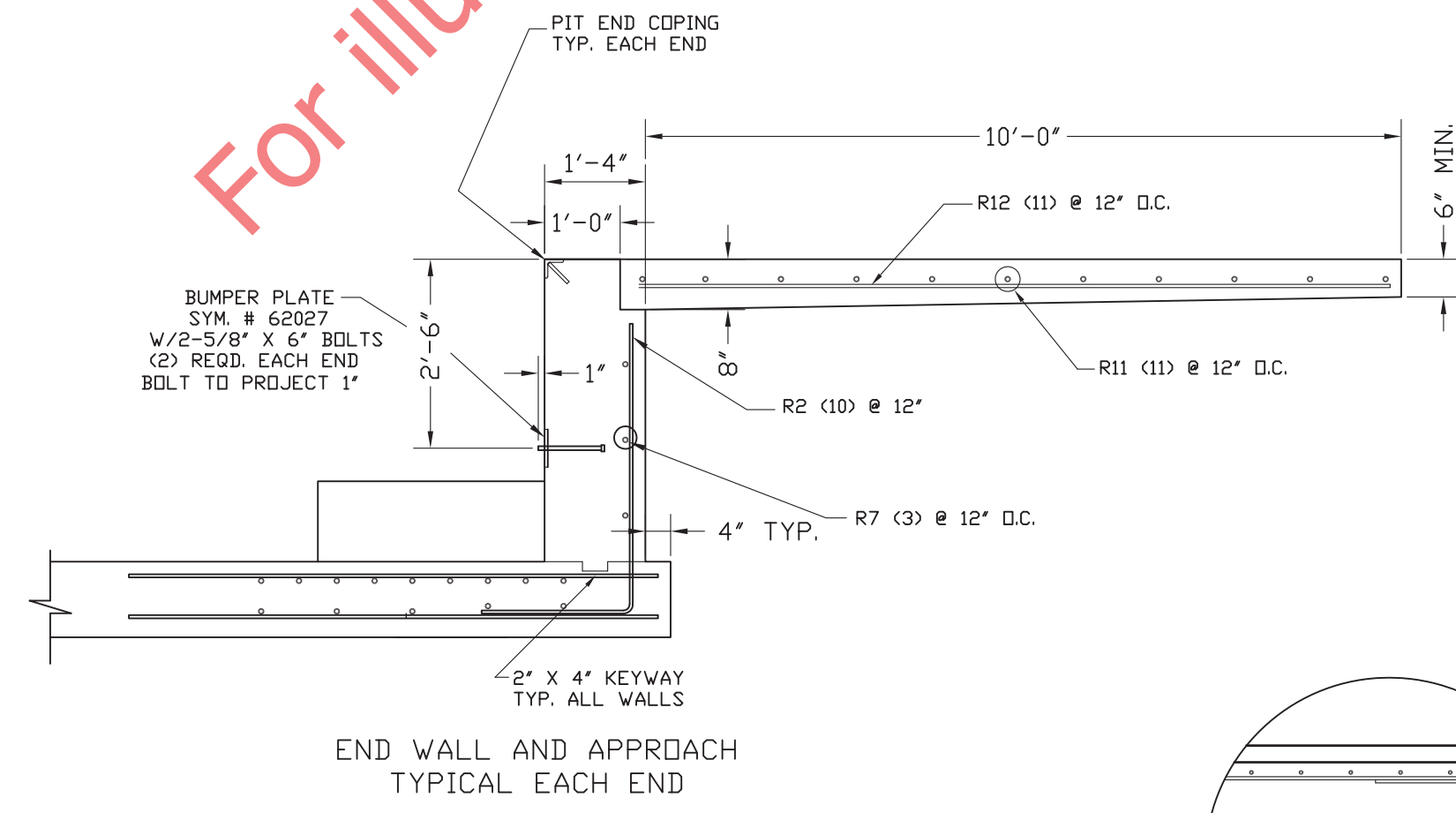
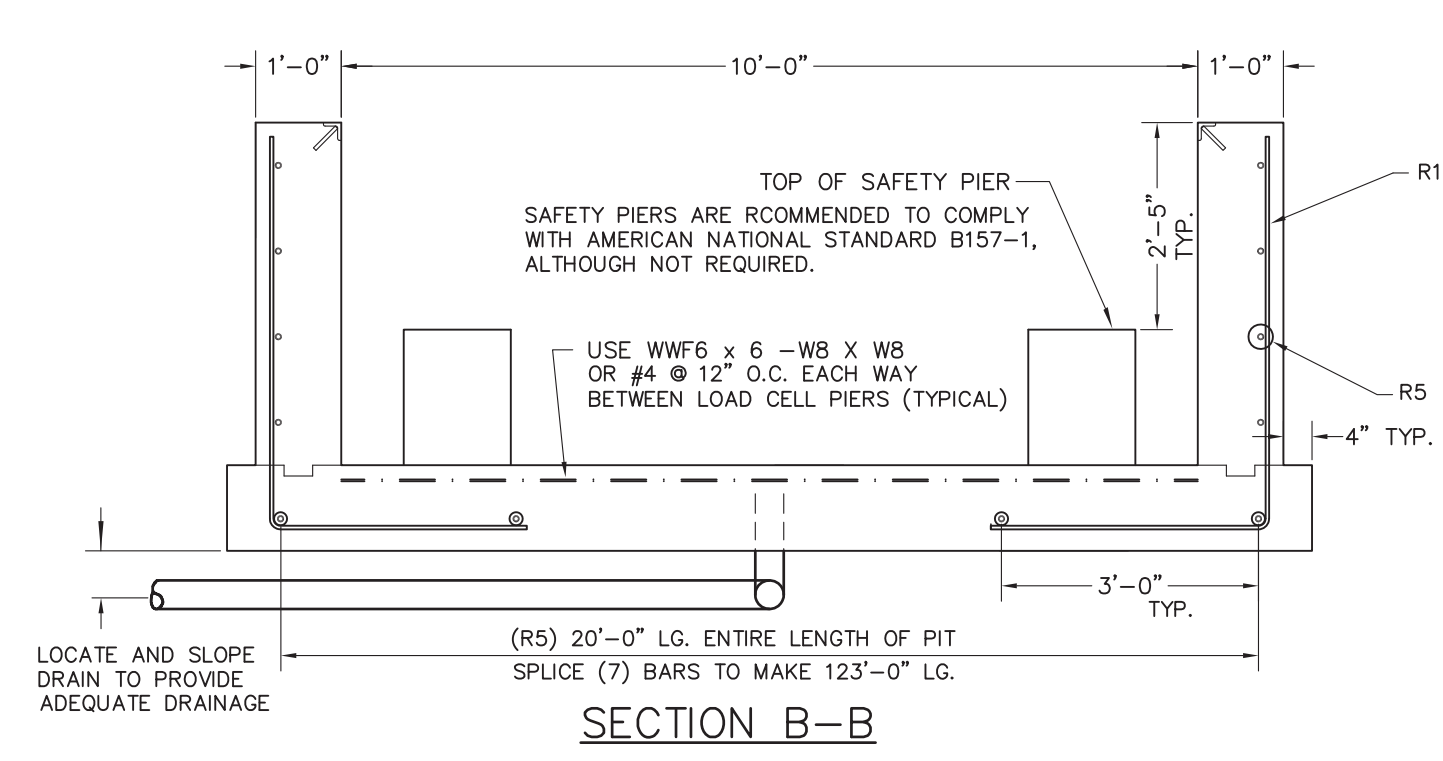
REINFORCING BAR SCHEDULE					
SYM.	QTY.	SIZE	LENGTH	BENDING	WEIGHT
R1	242	#4	7'-7"	4'-7" 3'-0"	1226
R2	20	#6	5'-10"	3'-10" 24"	175
R3	154	#4	7'-0"	7'-0"	720
R4	63	#6	12'-4"	12'-4"	1167
R5	84	#4	20'-0"	20'-0"	1122
R6	35	#4	12'-4"	12'-4"	288
R7	6	#4	11'-8"	11'-8"	47
R8	12	#4	4'-0"	2'-0" 2'-0"	32
R9	56	#4	1'-7"	1'-7"	59
R10	96	#4	1'-11"	1'-11"	123
REINFORCING BAR SCHEDULE FOR APPROACHES					
R11	22	#4	11'-8"	11'-8"	172
R12	22	#4	10'-0"	10'-0"	148
TOTAL					5279

PLUS APPROX. 870 SQUARE FEET OF W8 X W6, 6" X 6" WIRE FABRIC

- GENERAL NOTES:
- EXCAVATION, FOUNDATION FORMS, REBARS, AND CONCRETE IS TO BE FURNISHED BY CONTRACTOR OR CUSTOMER.
 - REINFORCING BARS ARE TO EQUAL ASTM A615, GRADE 40 OR 60. BEND BARS COLD TO CONFORM WITH REQUIRED DETAILS. REMOVE SCALE, LOOSE FLAKY RUST, DIRT, AND OTHER COATING THAT WOULD IMPAIR BONDING. SPACE BARS PROPERLY AND TIE SECURELY IN POSITION BEFORE PLACING CONCRETE. TACK WELDING TO KEEP REINFORCING IN PLACE IS NOT PERMITTED.
 - MATERIAL AND WORKMANSHIP TO BE IN ACCORDANCE WITH CURRENT AMERICAN CONCRETE INSTITUTE (AC) CODE REQUIREMENTS. ALL CONCRETE TO BE A MINIMUM OF 3500 P.S.I. @ 28 DAYS.
 - 1500 P.S.F. MINIMUM SOIL BEARING CAPACITY IS REQUIRED. THE DESIGN IS ADEQUATE FOR A HIGHWAY SURCHARGE OF 300 P.S.F. ADJACENT TO PIT WALLS.
 - REFER TO SJ MANUAL 3684 FOR MORE DETAILED INSTRUCTIONS ON PIT CONSTRUCTION RECOMMENDATIONS.
 - WORK FROM CENTERLINES WHEN ERECTING FORMS AND PLACING FOUNDATION BOLTS. PLACE BOLTS TO WITHIN ±1/8" OF POSITIONS INDICATED ON DRAWING. (BOLTS MUST BE PLACED WITHIN ±1/8" OF TOTAL DIMENSIONS FROM CENTERLINE OF SCALE.)
 - FOR SETTING PLAN, SEE DRAWING D91383-SP
 - CLEARANCE DIMENSION FROM BOTTOM OF MAIN GIRDER TO PIT FLOOR IS 21".
 - VARIOUS STATE WEIGHTS & MEASURES AUTHORITIES HAVE REGULATIONS, PARTICULARLY IN REGARD TO PIT DEPTH AND APPROACHES, AFFECTING PIT AND INSTALLATION. THE PIT CONTRACTOR IS RESPONSIBLE TO VERIFY THAT THIS PLAN AND INSTALLATION MEETS LOCAL MINIMUM REQUIREMENTS. FOR ASSISTANCE CONTACT NEAREST FAIRBANKS SCALES OFFICE.
 - SOME STATES REQUIRE THAT CONCRETE PIERS BE POURED MONOLITHIC WITH SIDE WALLS. (RECOMMENDED METHOD)
 - SUITABLE CONDUIT FOR LOW VOLTAGE CONDUCTOR SHIELDED CABLE MUST PASS THRU THE PIT WALL AT ANY POINT ABOVE PIER TOPS THAT IS CONVENIENT. CONDUIT MUST EXTEND BEYOND PIT WALL A MINIMUM OF 2". FOR RUNS OF CONDUIT UP TO 50'-0" IN LENGTH, USE 1 1/2" CONDUIT. AVOID RUNNING CABLE IN CLOSE PROXIMITY TO HIGH VOLTAGE LINES. IF AC IS REQUIRED IN PIT, IT SHALL NOT RUN CLOSER THAN 24" IN PARALLEL TO ANY CELL CABLE.

APPROX. CONCRETE REQ'D.	
SLAB/PIERS	58 CU. YDS.
WALLS	40 CU. YDS.
APPROACHES	5 CU. YDS.
TOTAL	103 CU. YDS.
W/O SAFETY PIERS	103 CU. YDS.
TOTAL	105 CU. YDS.

APPROX. EXCAVATION QTY = 431 CU. YDS. (BASED ON 2'-0" CLEARANCE AROUND SIDE OF PIT)



LET	BY	DATE	REVISION

FAIRBANKS SCALES	
Meridian, Mississippi	
120' X 10' REINFORCED PIT	
7-SECTION FULL ELECTRONIC	
w/ROCKER COLUMN LOAD CELLS	
CAP. 100 TON 70K CLC	
date	4/27/01 PLT-2600RC-5WO
scale	N/A
drawn by	SLS
checked by	
approved by	
4' DEEP PIT	
D91383-RP4	

The material and information contained herein is confidential and the property of Fairbanks Scales and is not to be used, disclosed, copied, transferred or reproduced without the prior written permission of Fairbanks.

Unless otherwise specified dimensions are in inches. Tolerances: Fractions: 1/8" Angles: 1° 3 place decimals: 2 place decimals Hole diameters: ±1/32"