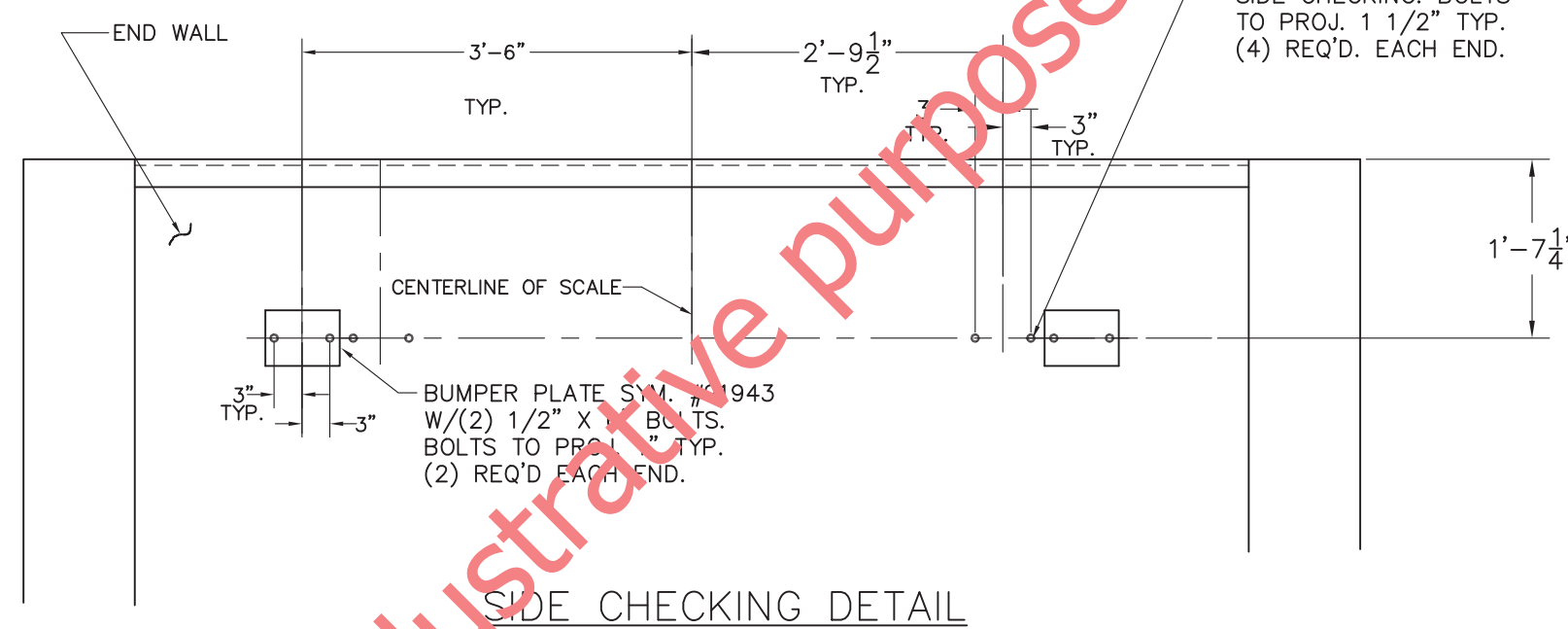
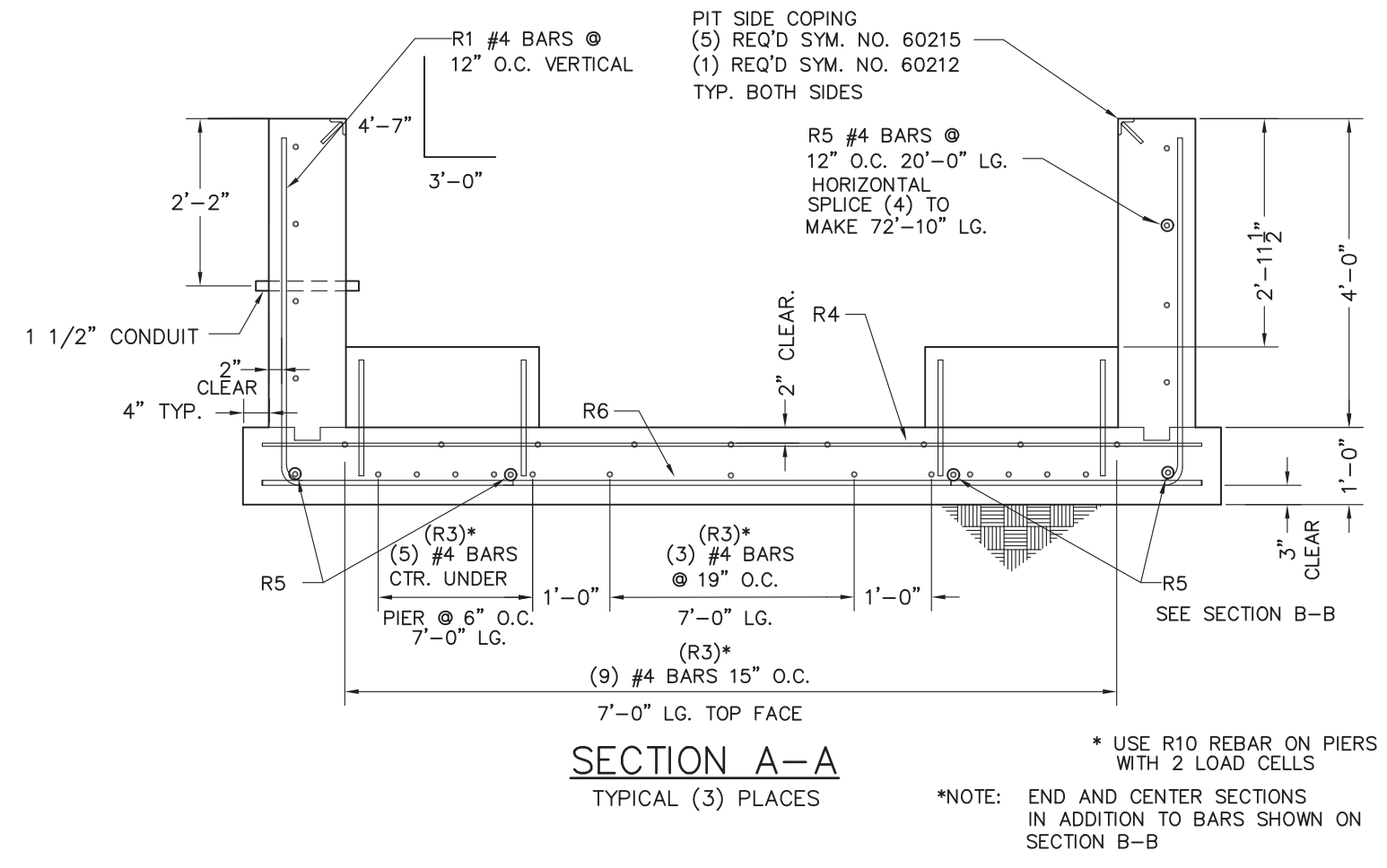
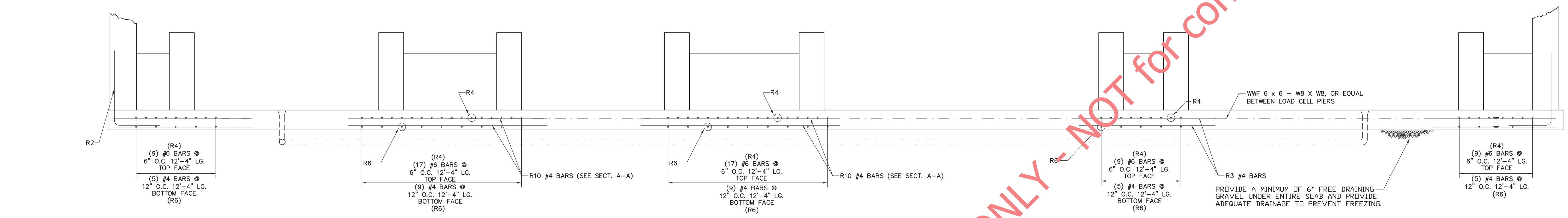


REINFORCING BAR SCHEDULE					
SYM.	QTY.	SIZE	LENGTH	BENDING	WEIGHT
R1	142	#4	7'-7"	4'-7" 3'-0"	719
R2	22	#6	5'-11"	3'-11" 2'-0"	196
R3	66	#4	7'-0"	7'-0"	309
R4	61	#6	12'-4"	12'-4"	1130
R5	48	#4	20'-0"	20'-0"	641
R6	33	#4	12'-4"	12'-4"	272
R7	6	#4	11'-8"	11'-8"	47
R8	16	#4	4'-0"	2'-0" 2'-0"	43
R9	56	#4	1'-6"	1'-6"	53
R10	44	#4	10'-0"	10'-0"	284
REINFORCING BAR SCHEDULE FOR APPROACHES					
R11	24	#4	10'-0"	10'-0"	160
R12	22	#4	11'-8"	11'-8"	171
TOTAL					4035

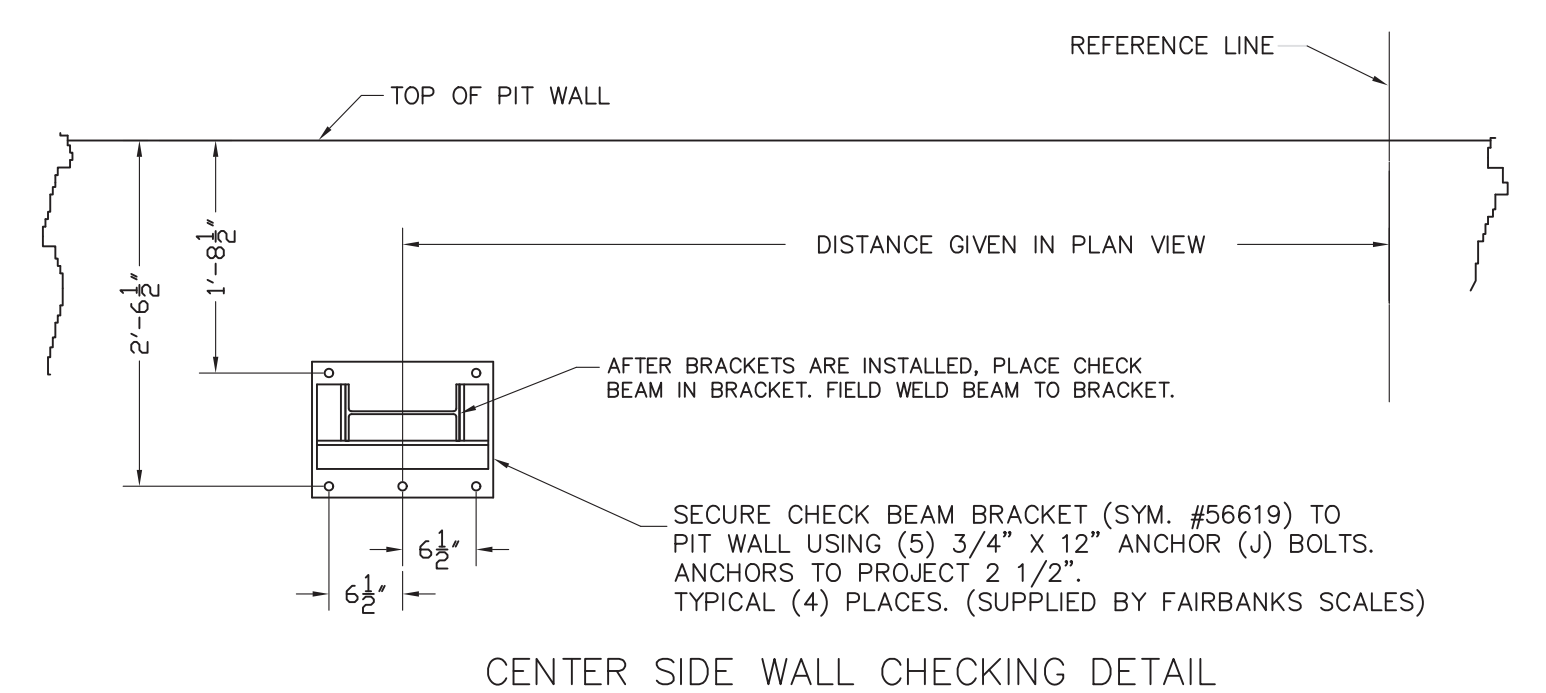
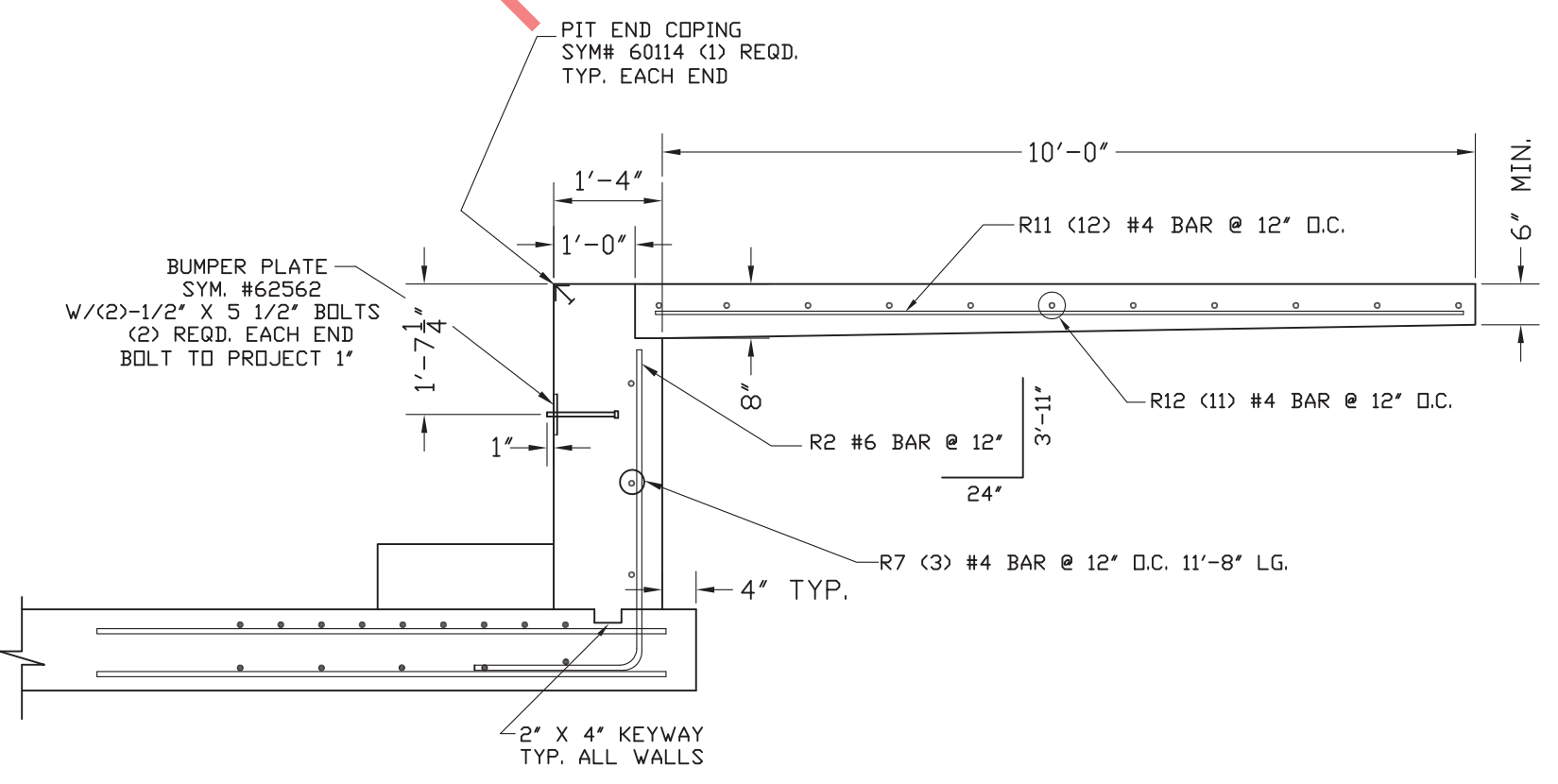
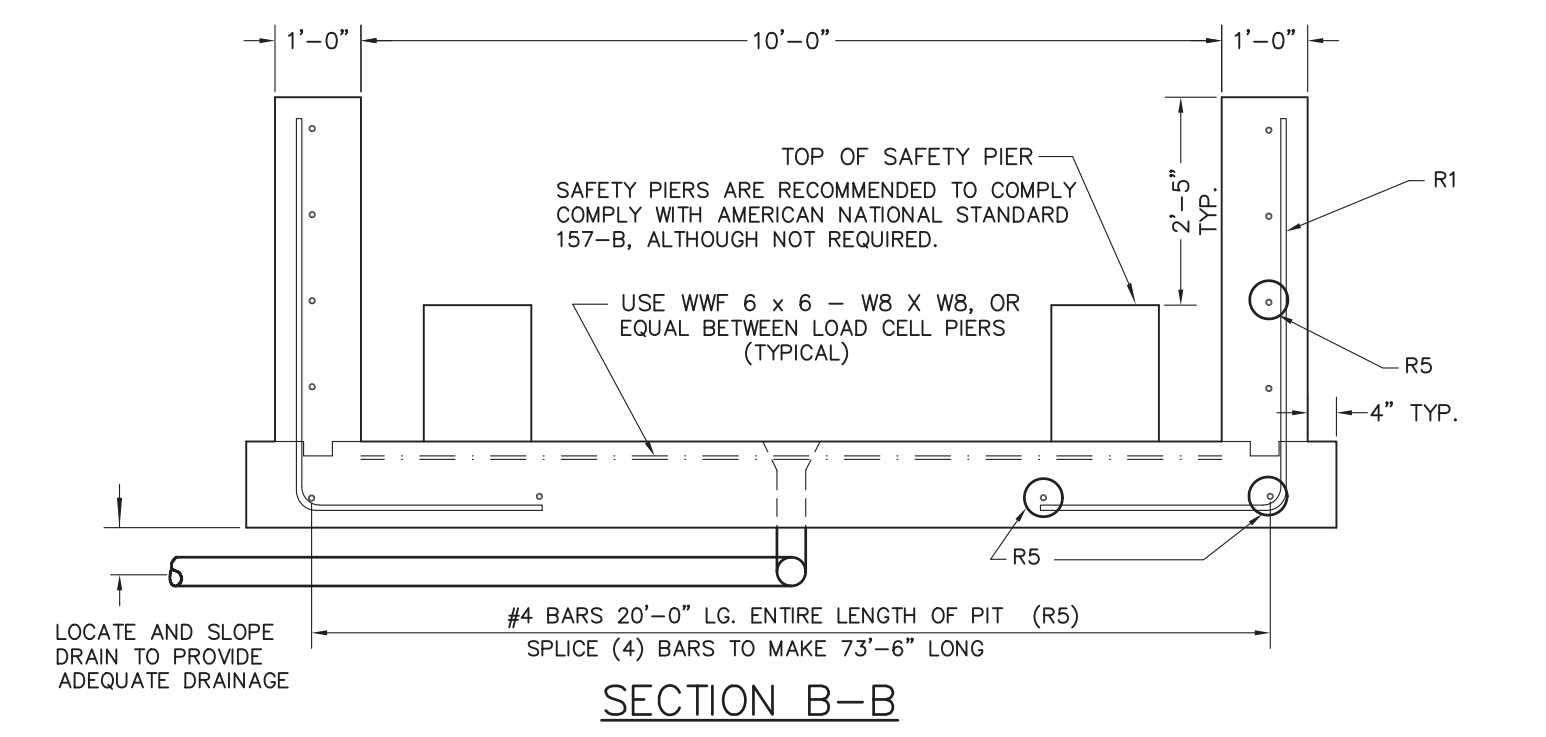
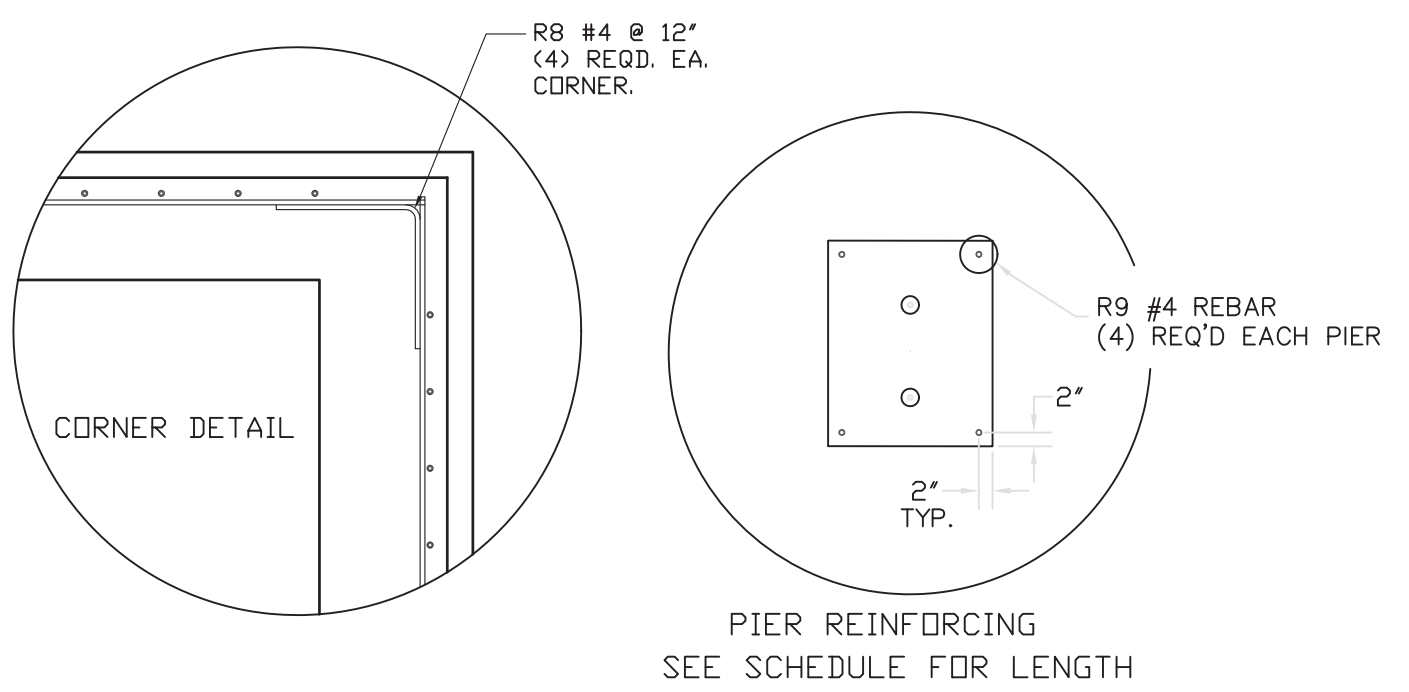
PLUS APPROX. 620 SQUARE FEET OF WWF 6 x 6 - WB X WB

APPROX. CONCRETE REQ'D.	
SLAB/PIERS	37 CU. YDS.
WALLS	26 CU. YDS.
APPROACHES	5 CU. YDS.
TOTAL W/O SAFETY PIERS	68 CU. YDS.
TOTAL W/ SAFETY PIERS	70 CU. YDS.

APPROX. EXCAVATION QTY = 252 CU. YDS. (BASED ON 2'-0" CLEARANCE AROUND SIDE OF PIT)



- GENERAL NOTES:
- EXCAVATION, FOUNDATION FORMS, REBARS, AND CONCRETE IS TO BE FURNISHED BY CONTRACTOR OR CUSTOMER.
 - REINFORCING BARS ARE TO EQUAL ASTM A615, GRADE 40 OR 60. BEND BARS WELD TO CONFORM WITH REQUIRED DETAILS. REMOVE SCALE, LOOSE FLAKY RUST, DIRT, AND OTHER COATING THAT WOULD IMPAIR BONDING. SPACE BARS PROPERLY AND TIE SECURELY IN POSITION BEFORE PLACING CONCRETE. TACK WELDING TO KEEP REINFORCING IN PLACE IS NOT PERMITTED.
 - MATERIAL AND WORKMANSHIP TO BE IN ACCORDANCE WITH CURRENT AMERICAN CONCRETE INSTITUTE (ACI) CODE REQUIREMENTS. ALL CONCRETE TO BE A MINIMUM OF 3500 P.S.I. @ 28 DAYS.
 - 1500 P.S.F. MINIMUM SOIL BEARING CAPACITY IS REQUIRED. THE DESIGN IS ADEQUATE FOR A HIGHWAY SURCHARGE OF 300 P.S.F. ADJACENT TO PIT WALLS.
 - REFER TO SJ MANUAL 3884 FOR MORE DETAILED INSTRUCTIONS ON PIT CONSTRUCTION RECOMMENDATIONS.
 - WORK FROM CENTERLINES WHEN ERECTING FORMS AND PLACING FOUNDATION BOLTS. PLACE BOLTS TO WITHIN ±1/8" OF POSITIONS INDICATED ON DRAWING. (BOLTS MUST BE PLACED WITHIN ±1/8" OF TOTAL DIMENSIONS FROM CENTERLINE OF SCALE.)
 - FOR SETTING PLAN, SEE DRAWING D91519-SP
 - CLEARANCE DIMENSION FROM BOTTOM OF MAIN GIRDER TO PIT FLOOR IS 21".
 - VARIOUS STATE WEIGHTS & MEASURES AUTHORITIES HAVE REGULATIONS, PARTICULARLY IN REGARD TO PIT DEPTH AND APPROACHES, AFFECTING PIT AND INSTALLATION. THE PIT CONTRACTOR IS RESPONSIBLE TO VERIFY THAT THIS PLAN AND INSTALLATION MEETS LOCAL MINIMUM REQUIREMENTS. FOR ASSISTANCE CONTACT NEAREST FAIRBANKS SCALES OFFICE.
 - SUITABLE CONDUIT FOR LOW VOLTAGE CONDUCTOR SHIELDED CABLE MUST PASS THRU THE PIT WALL AT ANY POINT ABOVE PIER TOPS THAT IS CONVENIENT. CONDUIT MUST EXTEND BEYOND PIT WALL A MINIMUM OF 2". FOR RUNS OF CONDUIT UP TO 50'-0" IN LENGTH, USE 1 1/2" CONDUIT. AVOID RUNNING CABLE IN CLOSE PROXIMITY TO HIGH VOLTAGE LINES. IF AC IS REQUIRED IN PIT, IT SHALL NOT RUN CLOSER THAN 24" IN PARALLEL TO ANY CELL CABLE.



LET	BY	DATE	REVISION
A	SLS	1/19/00	ADDED CENTER SIDE WALL CHK. DETAIL
B	SLS	11/00	REVISED ANCHOR BOLTS

FAIRBANKS SCALES	
Meridian, Mississippi	
15'-15'-40'x10' HIGHWAY SYSTEM REINFORCED PIT FULL ELECTRONIC CAP. 100 TON 70K CLC 7 SECTION	
date	10/26/99
material	PLT-2600-5MOHS2
scale	N/A, per ft.
sheet	1 of 1
drawn by	GSB
4' DEEP PIT	
checked by	
approved by	D91519-RP4

The material and information contained herein is confidential and is the property of Fairbanks Scales and is not to be used, disclosed, copied, transferred or reproduced without the prior written permission of Fairbanks.

Unless otherwise specified, dimensions are in inches. Tolerances: Fractions: 1/8" Angles: 1° 3 place decimals: 2 place decimals: Hole diameters: +1/32"