

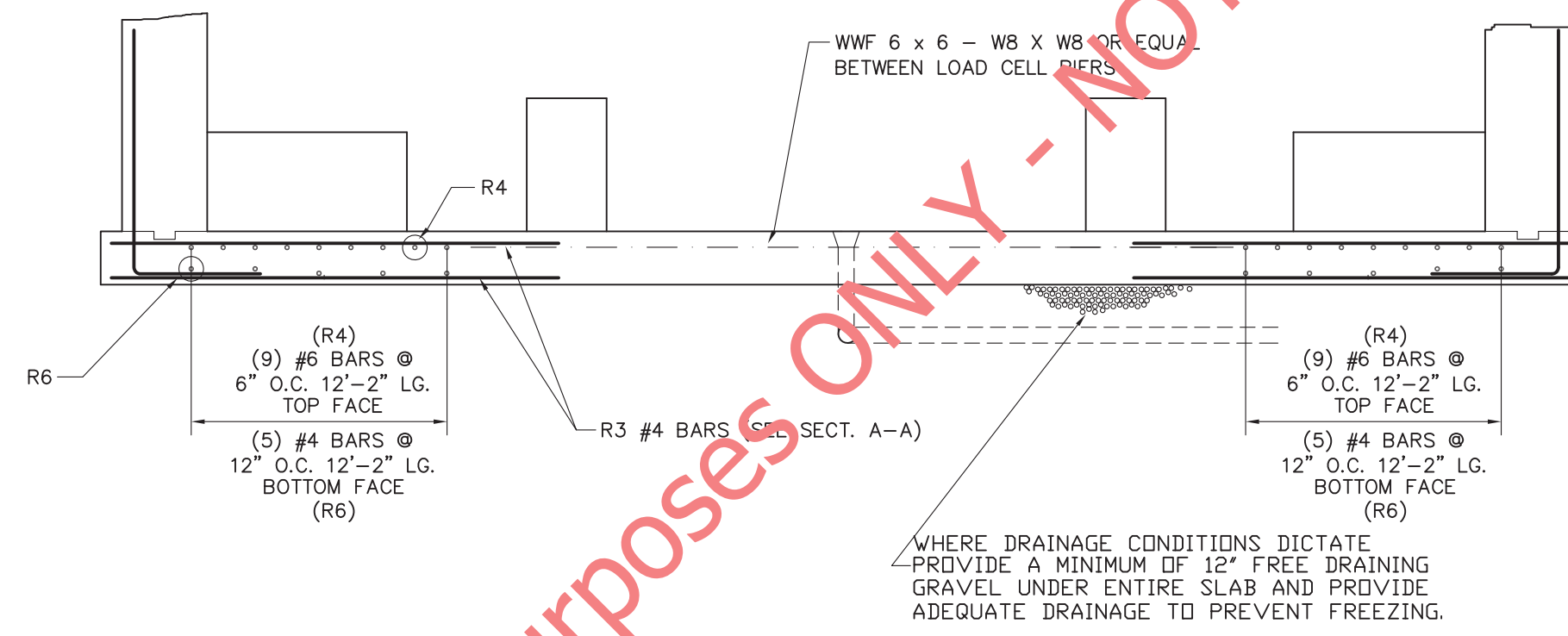
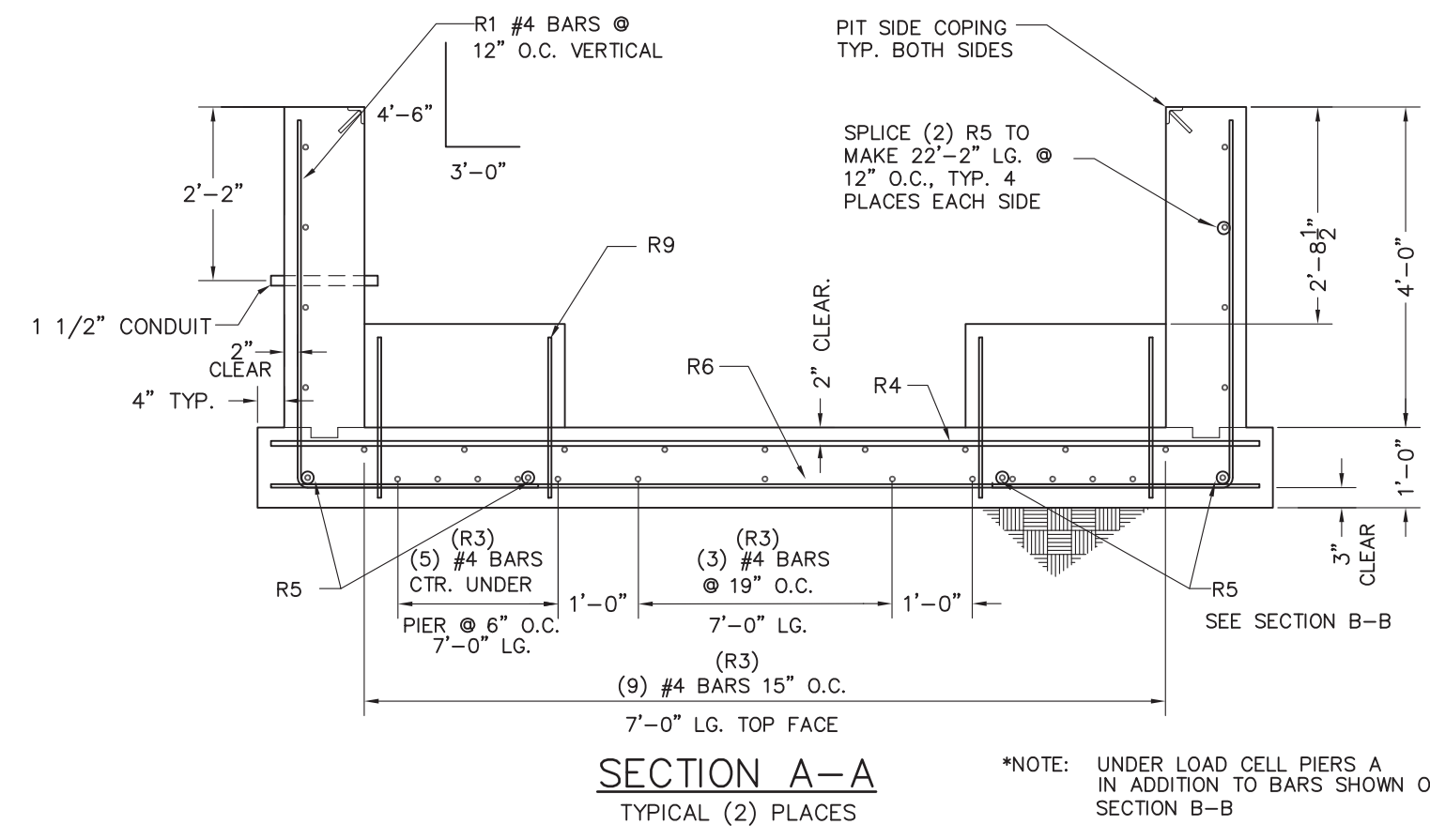
NOTE: SUITABLE CONDUIT FOR LOW VOLTAGE CONDUCTOR SHIELDED CABLE MUST PASS THRU THE PIT WALL AT ANY POINT ABOVE PIER TOPS THAT IS CONVENIENT. CONDUIT MUST EXTEND BEYOND PIT WALL A MINIMUM OF 2'. FOR RUNS OF CONDUIT UP TO 50' IN LENGTH, USE 1 1/2" CONDUIT. AVOID RUNNING CABLE IN CLOSE PROXIMITY TO HIGH VOLTAGE LINES. IF AC IS REQUIRED IN PIT, IT SHALL NOT RUN CLOSER THAN 24" IN PARALLEL TO ANY LOAD CELL CABLE.

NOTE: PROVIDE MEANS SO THAT ADEQUATE DRAINAGE FOR THE PIT EXIST. DRAIN TO A GRAVITY DRAIN, OR SUMP PUMP TO INSURE THAT STANDING WATER CANNOT ACCUMULATE IN PIT.

PLACE GROUND RODS NEAR CENTER OF SCALE PIT. TIE GROUND ROD TO SLAB REBAR MAKING SURE IT PROTRUDES 4" ABOVE FLOOR AFTER POURING. TWO RODS ARE PROVIDED AS PART OF THE OPTIONAL SURGE VOLTAGE PROTECTION SYSTEM. REFER TO INSTRUCTION MANUAL SJ3560 FOR MORE INFORMATION ON THIS ACCESSORY. A GROUND ROD SHOULD BE PROVIDED IN THE PIT REGARDLESS IF THE SURGE VOLTAGE PROTECTION GROUP IS SELECTED OR NOT.

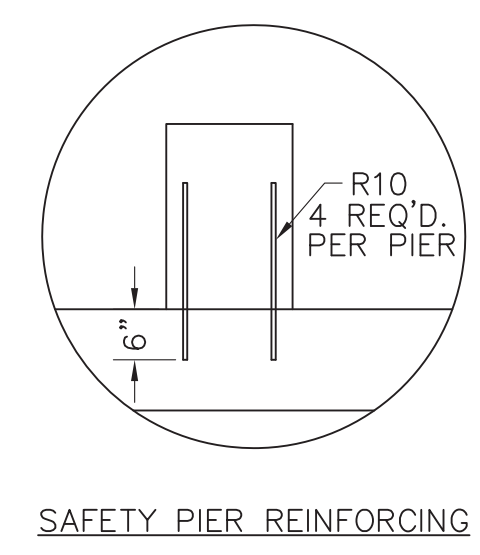
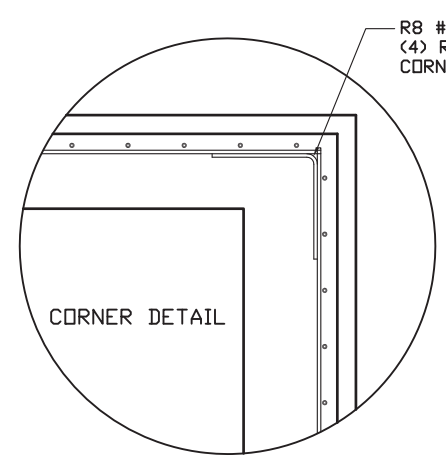
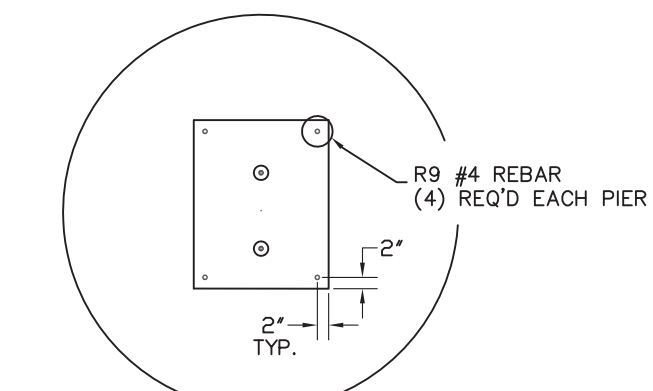
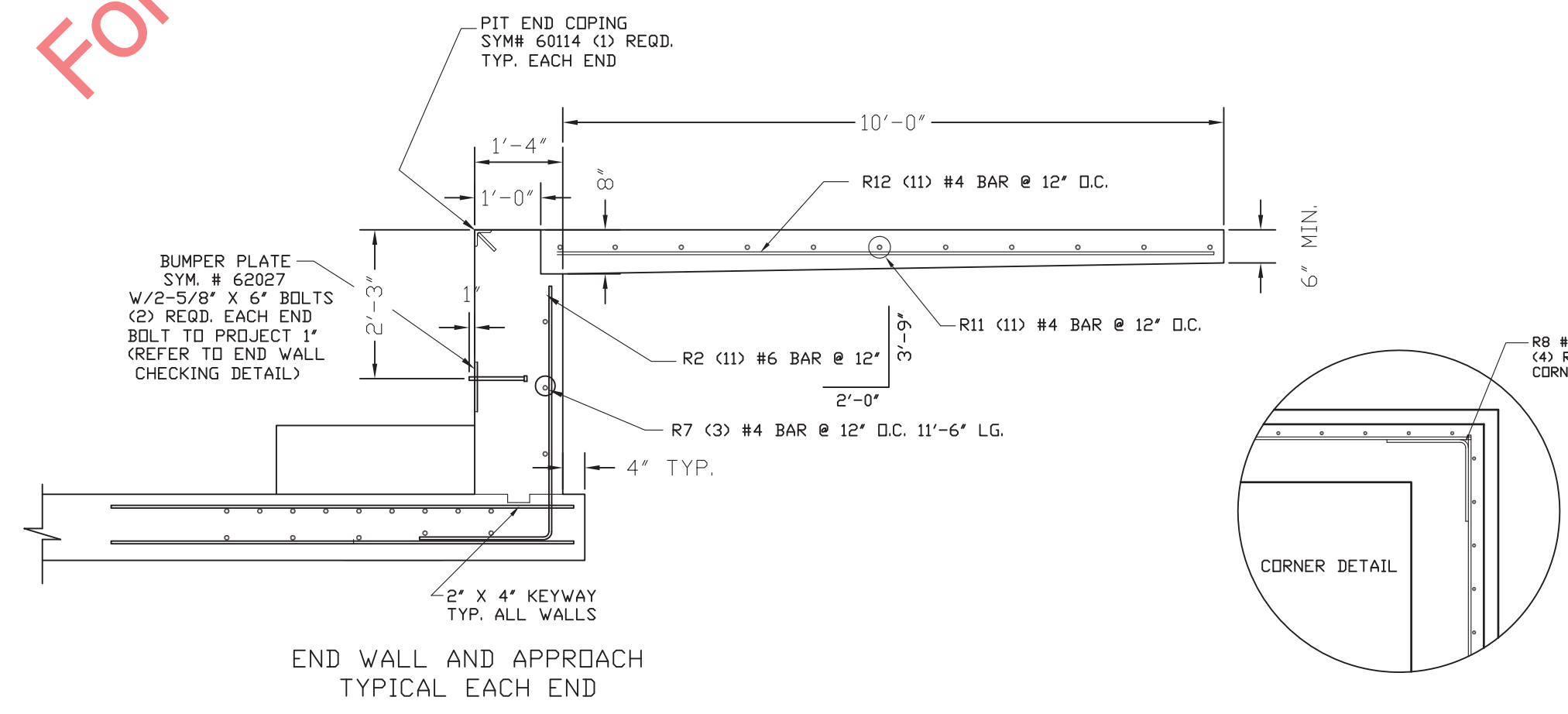
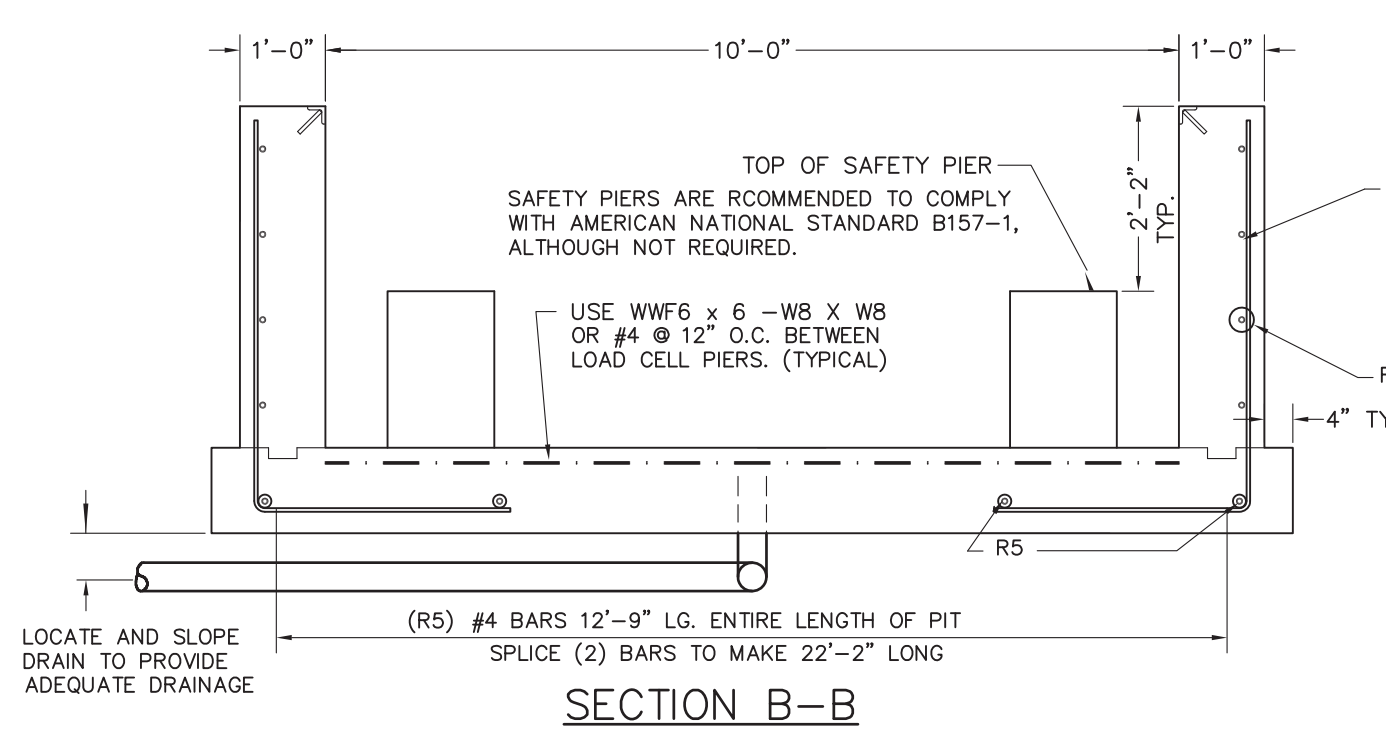
REINFORCING BAR SCHEDULE					
SYM.	QTY.	SIZE	LENGTH	BENDING	WEIGHT
R1	44	#4	7'-6"	4'-6" 3'-0"	220
R2	22	#5	5'-9"	3'-9" 2'-0"	132
R3	44	#4	7'-0"	7'-0"	206
R4	18	#6	12'-2"	12'-2"	329
R5	24	#4	12'-9"	12'-9"	204
R6	10	#4	12'-2"	12'-2"	81
R7	6	#4	11'-6"	11'-6"	46
R8	16	#4	4'-0"	2'-0" 2'-0"	43
R9	16	#4	1'-9"	1'-9"	19
R10	16	#4	2'-0"	2'-0"	21
REINFORCING BAR SCHEDULE FOR APPROACHES					
R11	22	#4	11'-6"	11'-6"	169
R12	22	#4	10'-0"	10'-0"	147
TOTAL					1,617
PLUS APPROX. 177 SQUARE FEET OF WWF 6 X 6 - WB X WB					

- GENERAL NOTES
- EXCAVATION, FOUNDATION FORMS, REBARS, AND CONCRETE IS TO BE FURNISHED BY CONTRACTOR OR CUSTOMER.
 - REINFORCING BARS ARE TO EQUAL ASTM A615, GRADE 50 OR 60. BEND BARS COLD TO CONFORM WITH REBAR DETAILS. REMOVE SCALE, LOOSE FLAKY RUST, DIRT, AND OTHER COATING THAT WOULD IMPAIR BONDING. SPACE BARS PROPERLY AND TIE SECURELY IN POSITION BEFORE PLACING CONCRETE. TACK WELDING TO KEEP REINFORCING IN PLACE IS NOT PERMITTED.
 - MATERIAL AND WORKMANSHIP TO BE IN ACCORDANCE WITH CURRENT AMERICAN CONCRETE INSTITUTE (ACI) CODE REQUIREMENTS. ALL CONCRETE TO BE A MINIMUM OF 3000 P.S.I. @ 28 DAYS.
 - 1500 P.S.F. MINIMUM SOIL BEARING CAPACITY IS REQUIRED. THE DESIGN IS ADEQUATE FOR HIGHWAY SURCHARGE OR 300 P.S.F. ADJACENT TO PIT WALLS.
 - REFER TO MANUAL FOR MORE DETAILED INSTRUCTIONS ON PIT CONSTRUCTION RECOMMENDATIONS.
 - WORK FROM CENTERLINES WHEN ERECTING FORMS AND PLACING FOUNDATION BOLTS. PLACE BOLTS TO WITHIN 1/4" OF POSITIONS INDICATED ON DRAWINGS. (BOLTS MUST BE PLACED WITHIN 1/4" OF TOTAL DIMENSIONS FROM CENTERLINE OF SCALE.)
 - FOR SETTING PLAN, SEE DRAWING D91361-SP.
 - CLEARANCE DIMENSION FOR BOTTOM OF MAIN GIRDER TO PIT FLOOR IS 2'-0".
 - VARIOUS STATE WEIGHTS AND MEASURES AUTHORITIES HAVE REGULATIONS, PARTICULARLY IN REGARD TO PIT DEPTH AND APPROACHES, AFFECTING PIT AND INSTALLATION. THE PIT CONTRACTOR IS RESPONSIBLE TO VERIFY THAT THIS PLAN AND INSTALLATION MEETS LOCAL MINIMUM REQUIREMENTS. FOR ASSISTANCE, CONTACT NEAREST FAIRBANKS SCALE OFFICE.
 - SOME STATES REQUIRE THAT CONCRETE PIERS BE POUR MONOLITHIC WITH SIDE WALLS. (RECOMMENDED METHOD)
 - SUITABLE CONDUIT FOR LOW VOLTAGE CONDUCTOR SHIELDED CABLE MUST PASS THRU THE PIT WALL AT ANY POINT ABOVE PIER TOPS THAT IS CONVENIENT. CONDUIT MUST EXTEND BEYOND PIT WALL A MINIMUM OF 2'. FOR RUNS OF CONDUIT UP TO 50'-0" IN LENGTH, USE 1 1/2" CONDUIT. AVOID RUNNING CABLE IN CLOSE PROXIMITY TO HIGH VOLTAGE LINES. IF AS IS REQUIRED IN PIT, IT SHALL NOT RUN CLOSER THAN 24" IN PARALLEL TO ANY CELL CABLE.
 - CAST-IN-PLACE ANCHOR BOLTS ARE NOT REQUIRED AT PIERS, BUT ARE REQUIRED IN THE END WALLS FOR CHECKING SYSTEM.
 - TOPS OF ALL PIERS MARKED "A" MUST BE SMOOTH, FLAT, AND LEVEL FOR LOADCELL BASE PLATES TO BEAR PROPERLY.



APPROX. CONCRETE REQ'D.	
SLAB/PIERS	12 CU. YDS.
WALLS	11 CU. YDS.
APPROACHES	5 CU. YDS.
TOTAL W/O SAFETY PIERS	28 CU. YDS.
TOTAL W/ SAFETY PIERS	29 CU. YDS.

APPROX. EXCAVATION QTY = 87 CU. YDS. (BASED ON 2'-0" CLEARANCE AROUND SIDE OF PIT)



LET BY	DATE	REVISION
A	CB 10/15/02	REVISED DETAILS

FAIRBANKS SCALES	
Meridian, Mississippi	
20' X 10' REINFORCED PIT	
2-SECTION FULL ELECTRONIC	
CAP. 30 TON 45K CLC	
PLT-260ORC-2CO	
DATE	10/09/02
SCALE	N/A
SHEET	1 OF 1
DRAWN BY	JC
CHECKED BY	
APPROVED BY	
4' DEEP PIT	
D91361-RP4	

The material and information contained herein is confidential and is the property of Fairbanks Scales and is not to be used, disclosed, copied, transferred or reproduced without the prior written permission of Fairbanks.

Unless otherwise specified, dimensions are in inches. Tolerances: Fractions: 1/8" Angles: 1° 3 place decimals 2 place decimals Hole diameter: +1/32"

MATERIAL FINISH

For illustrative purposes ONLY - NOT FOR CONSTRUCTION!