

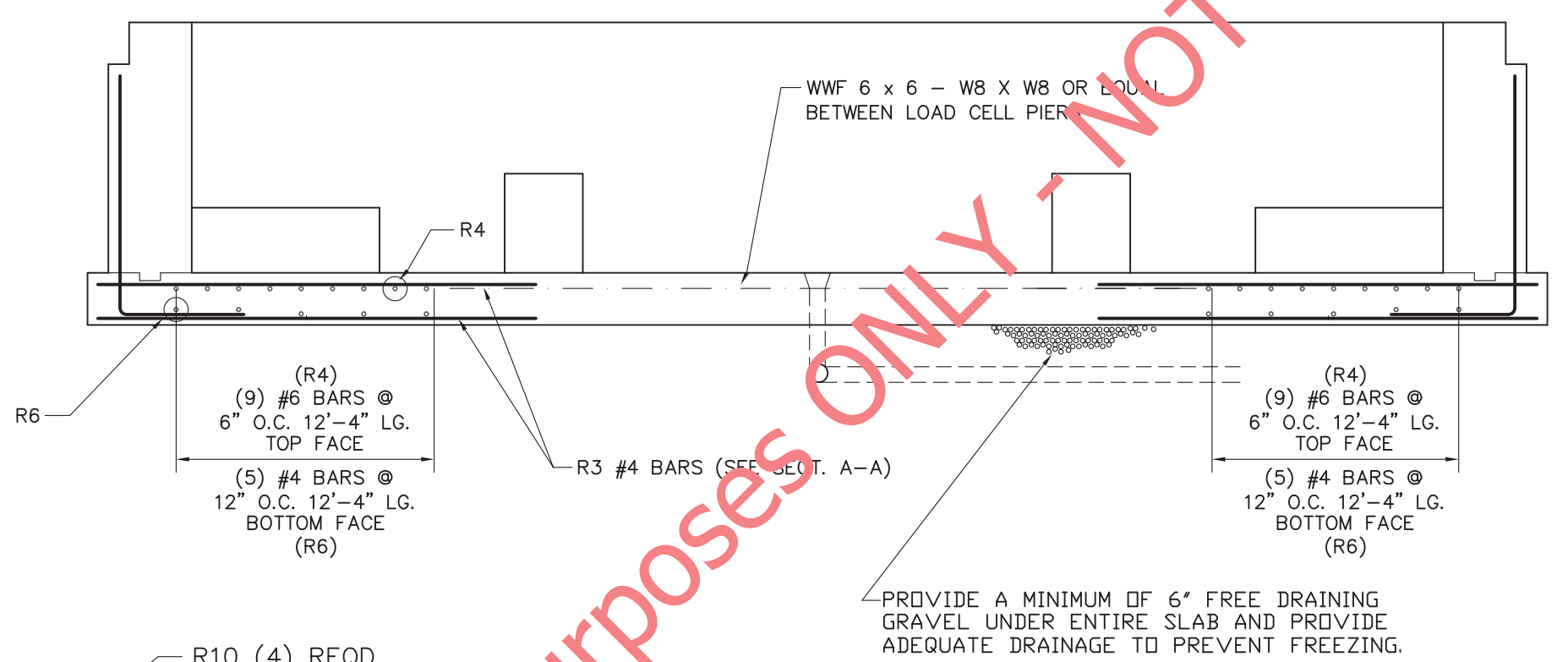
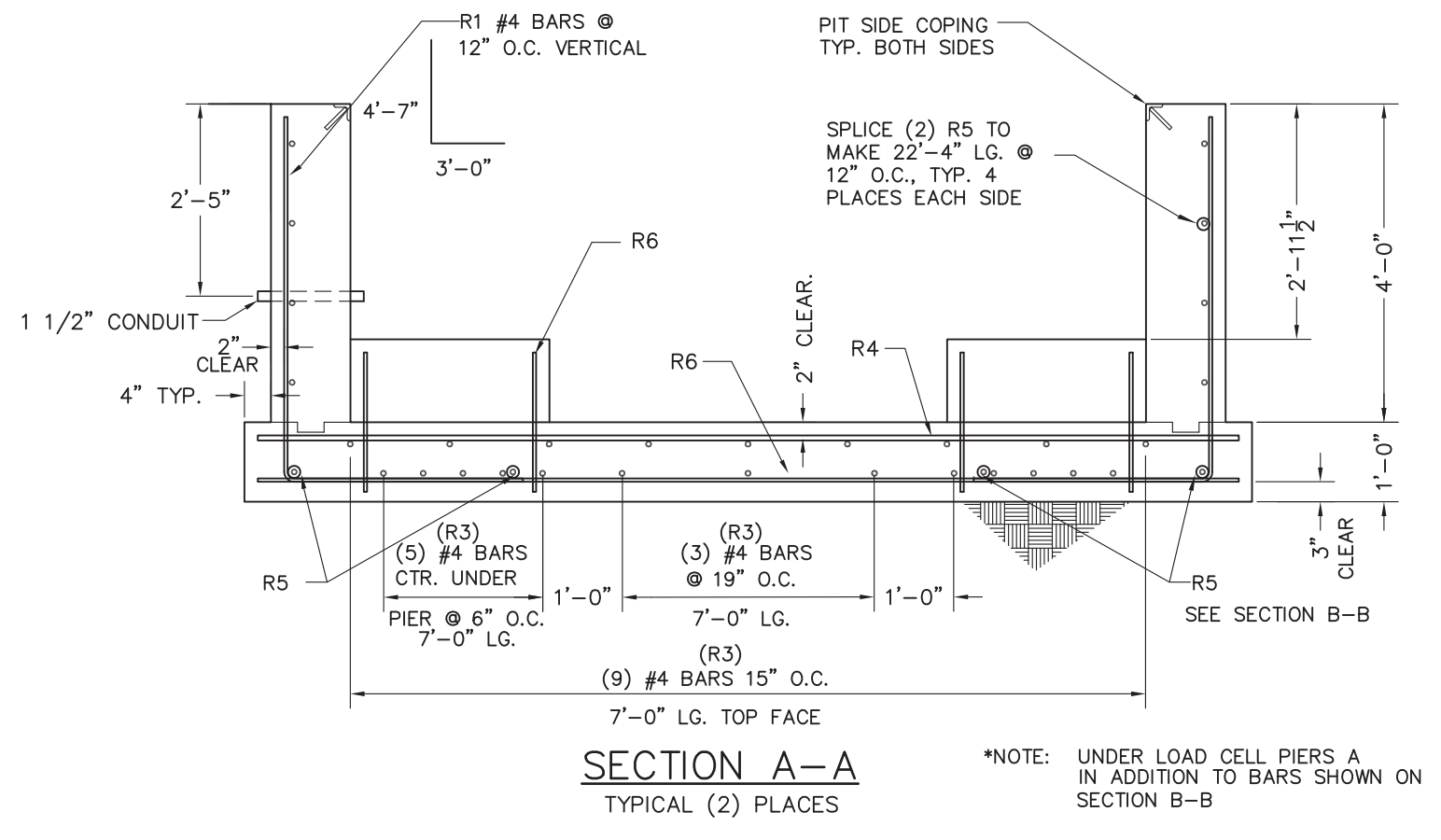
NOTE: SUITABLE CONDUIT FOR LOW VOLTAGE CONDUCTOR SHIELDED CABLE MUST PASS THRU THE PIT WALL AT ANY POINT ABOVE PIER TOPS THAT IS CONVENIENT. CONDUIT MUST EXTEND BEYOND PIT WALL A MINIMUM OF 2'. FOR RUNS OF CONDUIT UP TO 50' IN LENGTH, USE 1 1/2" CONDUIT. AVOID RUNNING CABLE IN CLOSE PROXIMITY TO HIGH VOLTAGE LINES. IF AS IS REQUIRED IN PIT, IT SHALL NOT RUN CLOSER THAN 24" IN PARALLEL TO ANY LOAD CELL.

NOTE: PROVIDE MEANS SO THAT ADEQUATE DRAINAGE FOR THE PIT EXIST. DRAIN TO A GRAVITY DRAIN, OR SUMP PUMP TO INSURE THAT STANDING WATER CANNOT ACCUMULATE IN PIT.

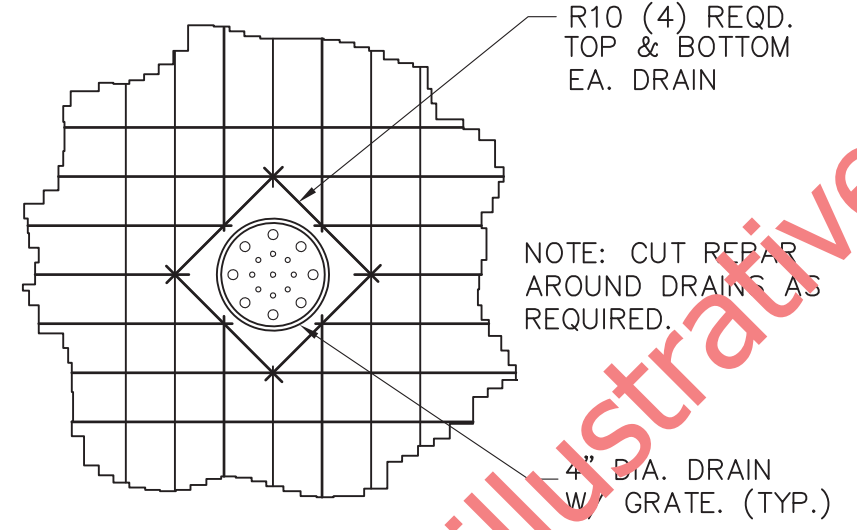
PLACE GROUND ROD NEAR CENTER OF SCALE PIT. TIE GROUND ROD TO SLAB REBAR. MAKE SURE IT PROTRUDES 4" ABOVE FLOOR AFTER POURING. TWO RODS ARE PROVIDED AS PART OF THE OPTIONAL SURGE VOLTAGE PROTECTION SYSTEM. REFER TO INSTRUCTION MANUAL SJ3560 FOR MORE INFORMATION ON THIS ACCESSORY. A GROUND ROD SHOULD BE PROVIDED IN THE PIT REGARDLESS IF THE SURGE VOLTAGE PROTECTION GROUP IS SELECTED OR NOT.

REINFORCING BAR SCHEDULE					
SYM.	QTY.	SIZE	LENGTH	BENDING	WEIGHT
R1	44	#4	7'-7"	4'-7"   3'-0"	223
R2	20	#6	5'-10"	3'-10"   2'-0"	175
R3	44	#4	7'-0"	7'-0"	206
R4	18	#6	12'-4"	12'-4"	333
R5	34	#4	12'-4"	12'-4"	280
R6	16	#4	1'-7"	1'-7"	17
R7	6	#4	11'-8"	11'-8"	47
R8	16	#4	4'-0"	2'-0"   2'-0"	43
R9	16	#4	1'-9"	1'-9"	19
R10	8	#4	2'-0"	2'-0"	11
REINFORCING BAR SCHEDULE FOR APPROACHES					
R11	24	#4	10'-0"	10'-0"	160
R12	22	#4	11'-8"	11'-8"	171
TOTAL					1,685

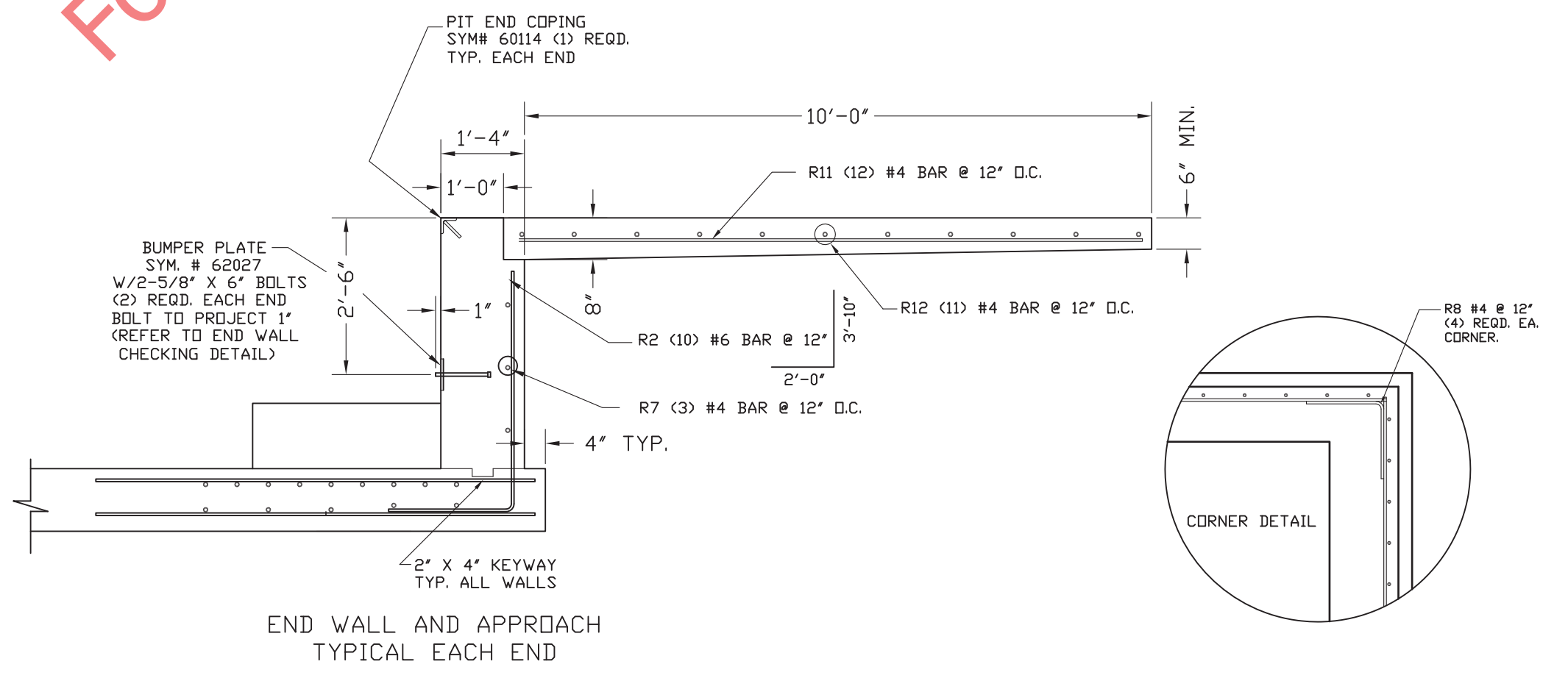
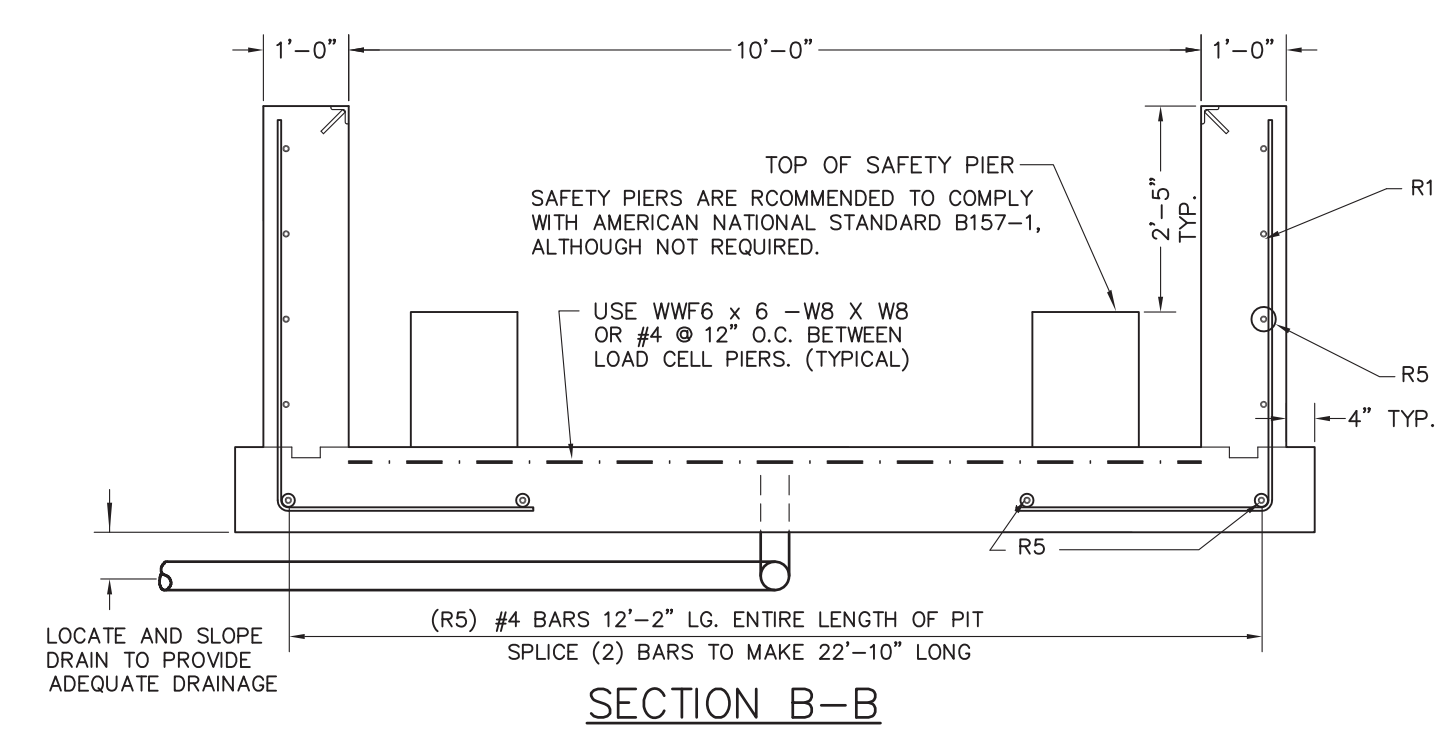
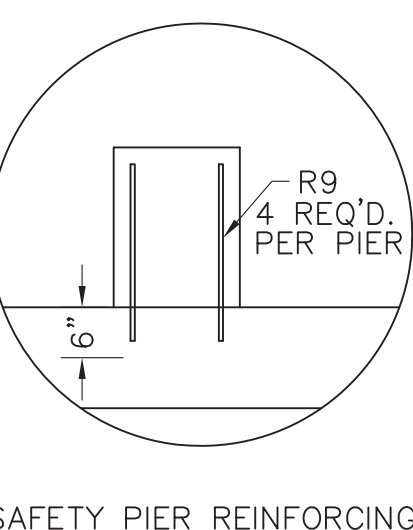
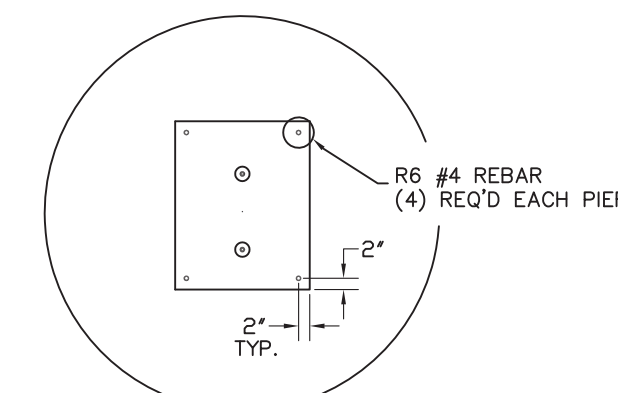
PLUS APPROX. 125 SQUARE FEET OF WWF 6 X 6 - W8 X W8



APPROX. CONCRETE REQ'D.	
SLAB/PIERS	12 CU. YDS.
WALLS	11 CU. YDS.
APPROACHES	6 CU. YDS.
TOTAL	29 CU. YDS.
W/O SAFETY PIERS	29 CU. YDS.
TOTAL W/ SAFETY PIERS	30 CU. YDS.



APPROX. EXCAVATION QTY = 87 CU. YDS. (BASED ON 2'-0" CLEARANCE AROUND SIDE OF PIT)



- GENERAL NOTES
- EXCAVATION, FOUNDATION FORMS, REBARS, AND CONCRETE IS TO BE FURNISHED BY CONTRACTOR OR CUSTOMER.
  - REINFORCING BARS ARE TO EQUAL ASTM A615, GRADE 50 OR 60. BEND BARS COLD TO CONFORM WITH REQUIRED DETAILS. REMOVE FLAKE RUST, DIRT, AND OTHER COATING THAT WOULD IMPAIR BONDING. SPACE BARS PROPERLY AND TIE SECURELY IN POSITION BEFORE PLACING CONCRETE. TACK WELDING TO KEEP REINFORCING IN PLACE IS NOT PERMITTED.
  - MATERIAL AND WORKMANSHIP TO BE IN ACCORDANCE WITH CURRENT AMERICAN CONCRETE INSTITUTE (ACI) CODE REQUIREMENTS. ALL CONCRETE TO BE A MINIMUM OF 3000 P.S.I. @ 28 DAYS.
  - 3500 P.S.F. MINIMUM SOIL BEARING CAPACITY IS REQUIRED. THE DESIGN IS ADEQUATE FOR HIGHWAY SURCHARGE OR 300 P.S.F. ADJACENT TO PIT WALLS.
  - REFER TO SJ MANUAL 3884 FOR MORE DETAILED INSTRUCTIONS ON PIT CONSTRUCTION RECOMMENDATIONS.
  - WORK FROM CENTERLINES WHEN ERECTING FORMS AND PLACING FOUNDATION BOLTS. PLACE BOLTS TO WITHIN ±1/8" OF POSITIONS INDICATED ON DRAWINGS. (BOLTS MUST BE PLACED WITHIN ±1/8" OF TOTAL DIMENSIONS FROM CENTERLINE OF SCALE.)
  - FOR SETTING PLAN, SEE DRAWING D91374-SP.
  - CLEARANCE DIMENSION FOR BOTTOM OF MAIN GIRDER TO PIT FLOOR IS 1'-9".
  - VARIOUS STATE WEIGHTS AND MEASURES AUTHORITIES HAVE REGULATIONS, PARTICULARLY IN REGARD TO PIT DEPTH AND APPROACHES, AFFECTING PIT AND INSTALLATION. THE PIT CONTRACTOR IS RESPONSIBLE TO VERIFY THAT THIS PLAN AND INSTALLATION MEETS LOCAL MINIMUM REQUIREMENTS. FOR ASSISTANCE, CONTACT NEAREST FAIRBANKS SCALE OFFICE.
  - SOME STATES REQUIRE THAT CONCRETE PIERS BE POUR MONOLITHIC WITH SIDE WALLS. (RECOMMENDED METHOD)
  - SUITABLE CONDUIT FOR LOW VOLTAGE CONDUCTOR SHIELDED CABLE MUST PASS THRU THE PIT WALL AT ANY POINT ABOVE PIER TOPS THAT IS CONVENIENT. CONDUIT MUST EXTEND BEYOND PIT WALL A MINIMUM OF 2'. FOR RUNS OF CONDUIT UP TO 50'-0" IN LENGTH, USE 1 1/2" CONDUIT. AVOID RUNNING CABLE IN CLOSE PROXIMITY TO HIGH VOLTAGE LINES. IF AS IS REQUIRED IN PIT, IT SHALL NOT RUN CLOSER THAN 24" IN PARALLEL TO ANY CELL CABLE.
  - CAST-IN-PLACE ANCHOR BOLTS ARE NOT REQUIRED AT PIERS, BUT ARE REQUIRED IN THE END WALLS FOR CHECKING SYSTEM.
  - TOPS OF ALL PIERS MARKED "A" MUST BE SMOOTH, FLAT, AND LEVEL FOR LOADCELL BASE PLATES TO BEAR PROPERLY.

LET BY	DATE	REVISION	FAIRBANKS SCALES	
		MADE FROM D91373-RP	Meridian, Mississippi	
			20' X 10' REINFORCED PIT	
			2-SECTION FULL ELECTRONIC	
			CAP. 40 TON 70K CLC	
			PLT-2600RC-5CO	
			date	material
			7/27/00	
			scale	sheet
			N/A	1 of 1
			drawn by	
			BT	
			checked by	
				D91373-RP4
			approved by	

The material and information contained herein is confidential and is the property of Fairbanks Scales and is not to be used, disclosed, copied, transferred or reproduced without the prior written permission of Fairbanks.

Unless otherwise specified dimensions are in inches. Tolerances: Fractions 1/16" Angles 1" 3 place decimals 2 place decimals Hole diameter ±1/32"