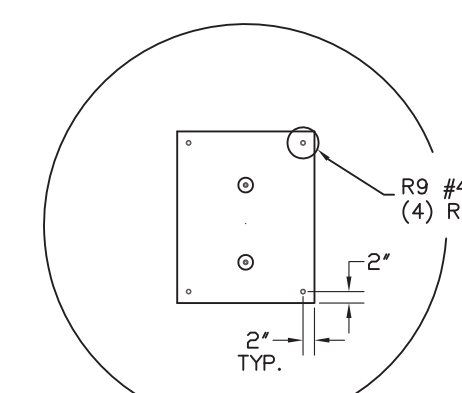
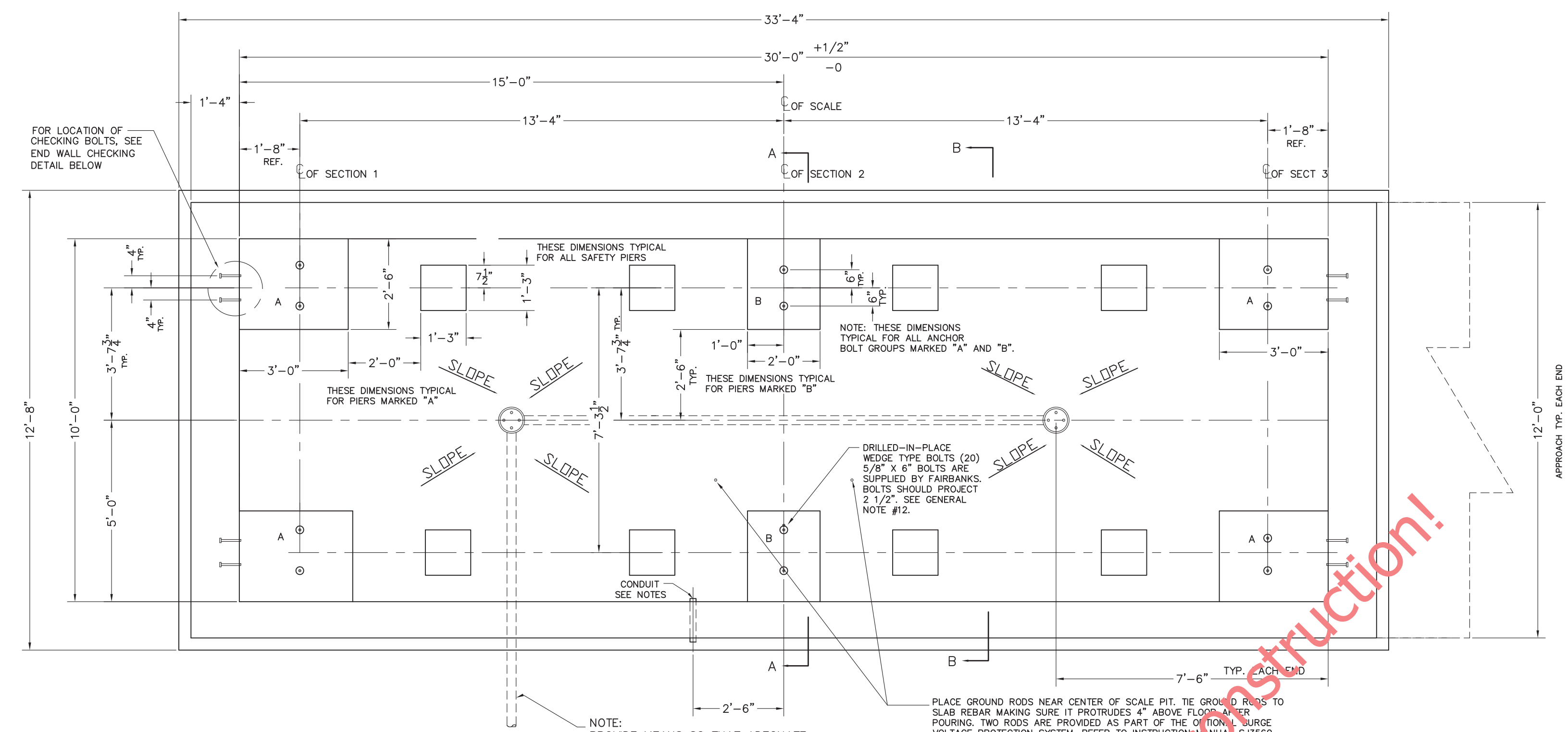


SAFETY PIER REINFORCING

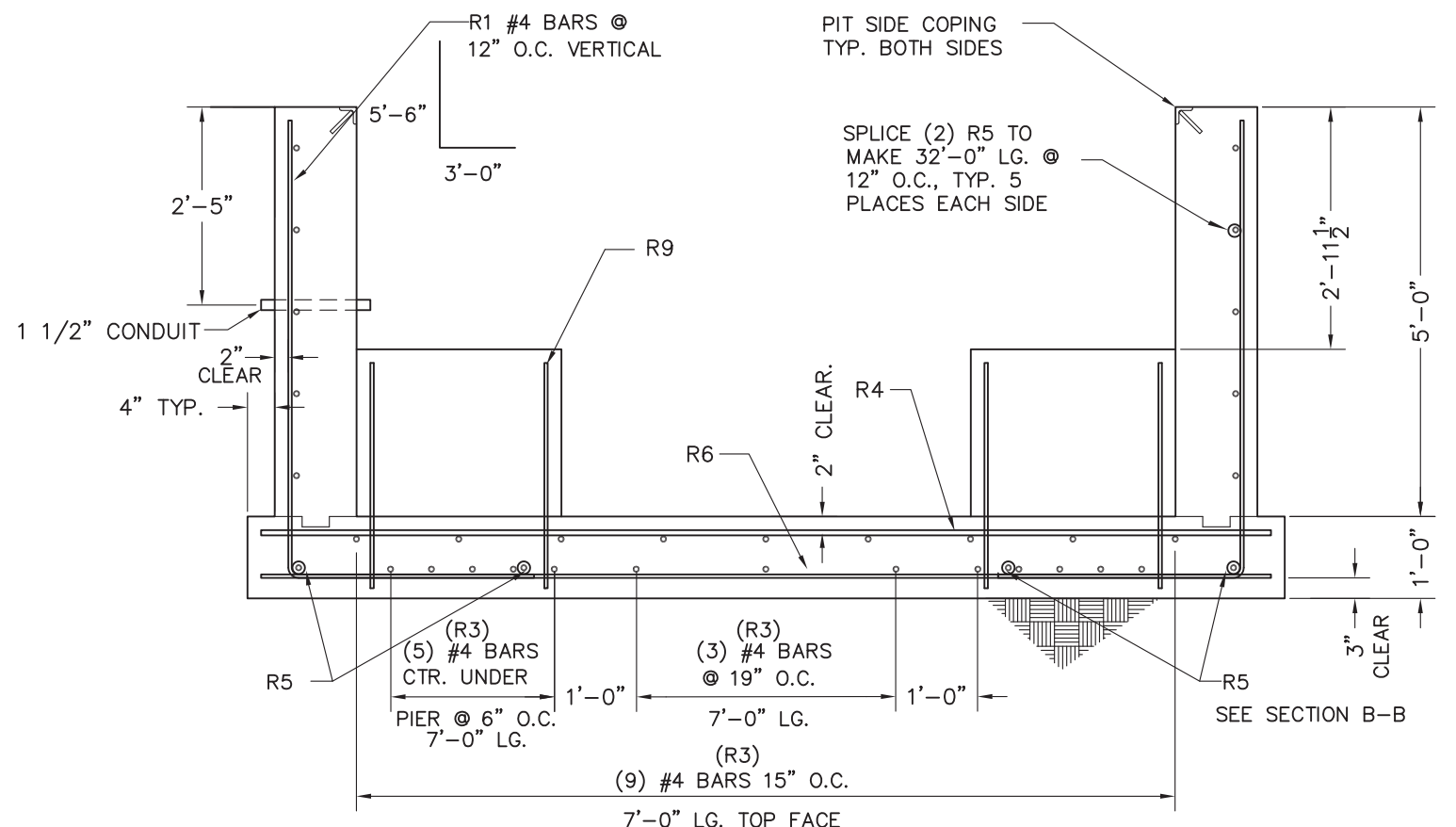
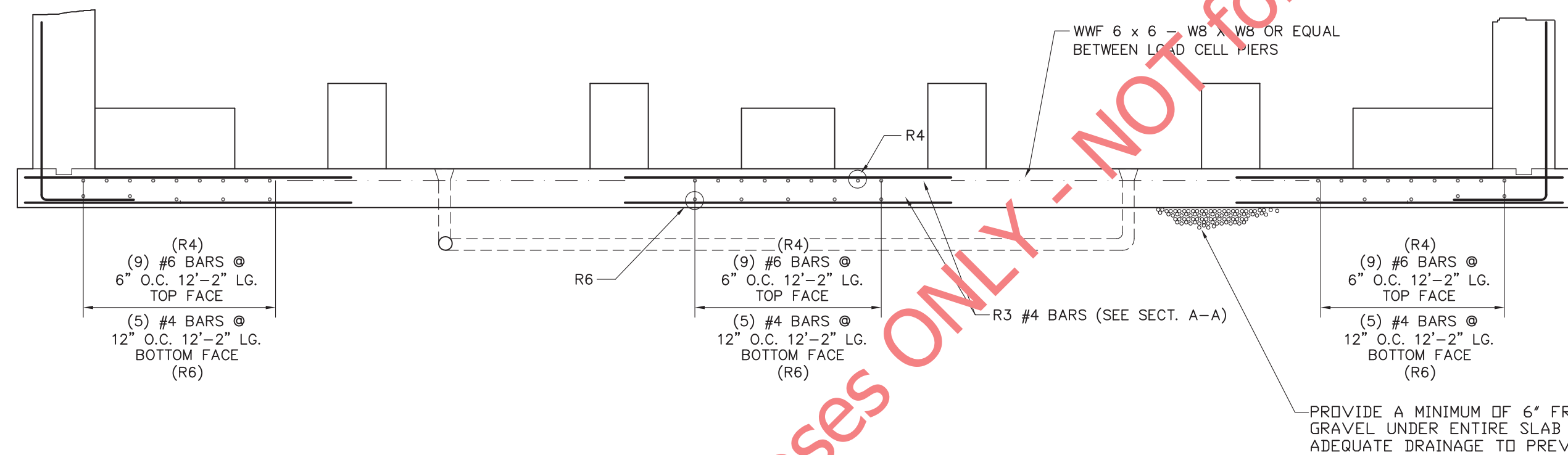


LOAD CELL PIER REINFORCING

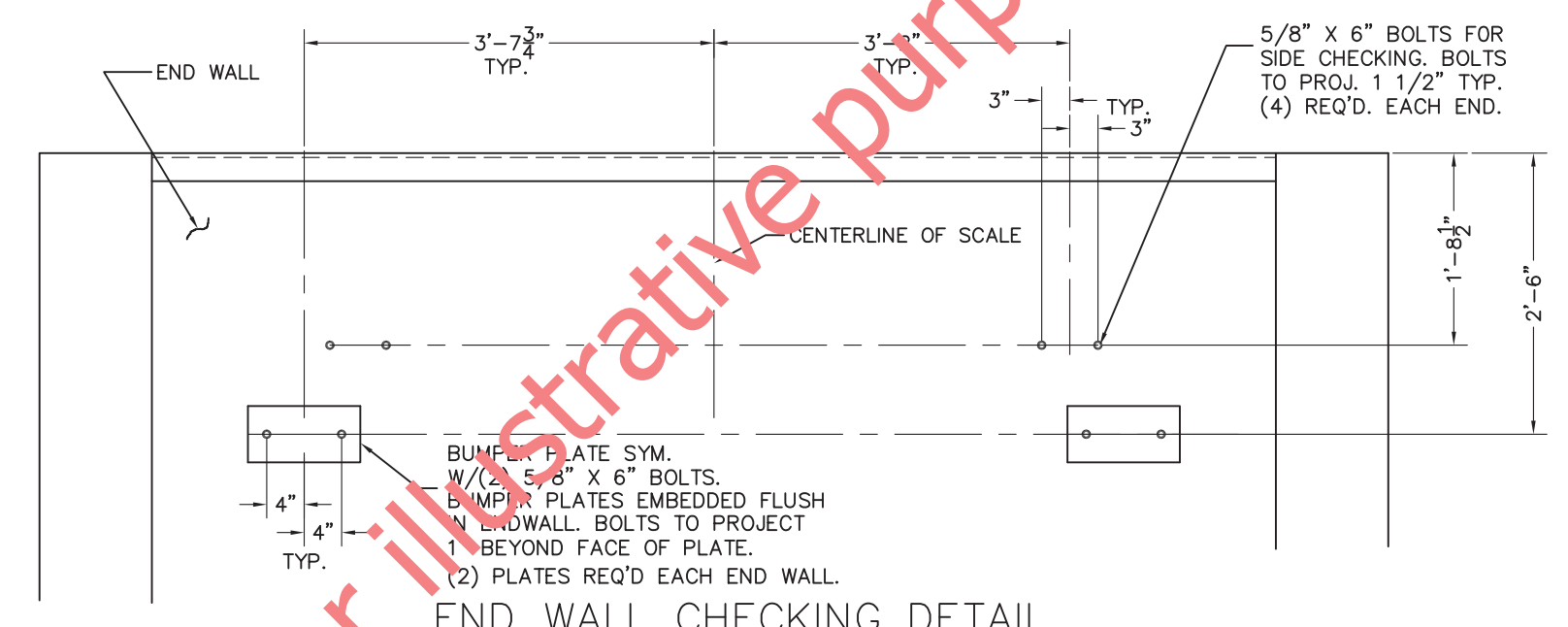


REINFORCING BAR SCHEDULE					
SYM.	QTY.	SIZE	LENGTH	BENDING	WEIGHT
R1	64	#4	8'-6"	5'-6" 3'-0"	363
R2	22	#6	6'-10"	4'-10" 24"	226
R3	66	#4	7'-0"	7'-0"	308
R4	27	#6	12'-2"	12'-2"	493
R5	28	#4	16'-6"	16'-6"	309
R6	15	#4	12'-2"	12'-2"	122
R7	8	#4	11'-6"	11'-6"	61
R8	20	#4	4'-0"	2'-0" 2'-0"	53
R9	56	#4	2'-6"	2'-6"	94
R10	22	#4	9'-10"	9'-10"	144
R11	22	#4	11'-8"	11'-8"	172
TOTAL					2,345

PLUS APPROX. 300 SQUARE FEET OF WWF 6 x 6 - WB X WB

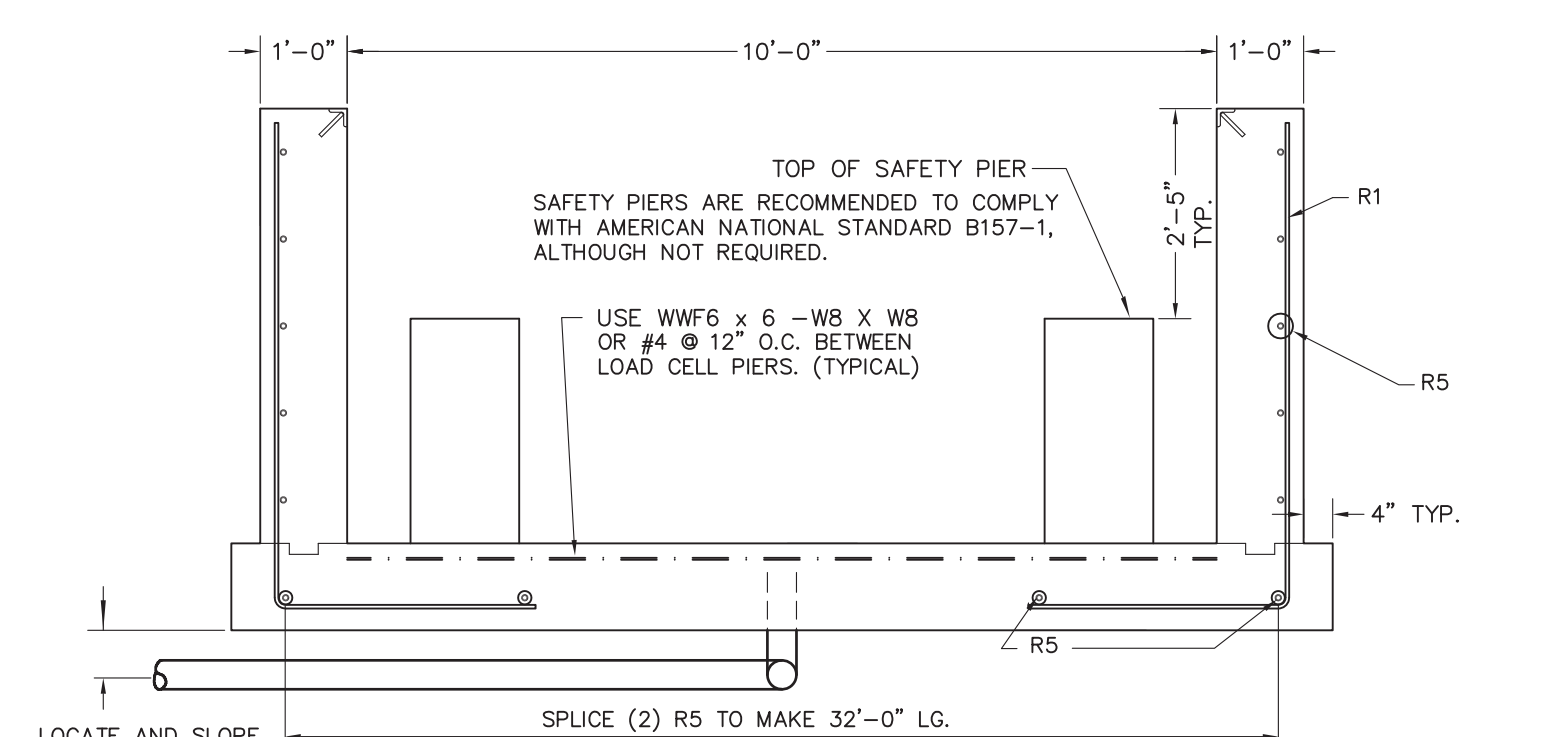


SECTION A-A TYPICAL (3) PLACES

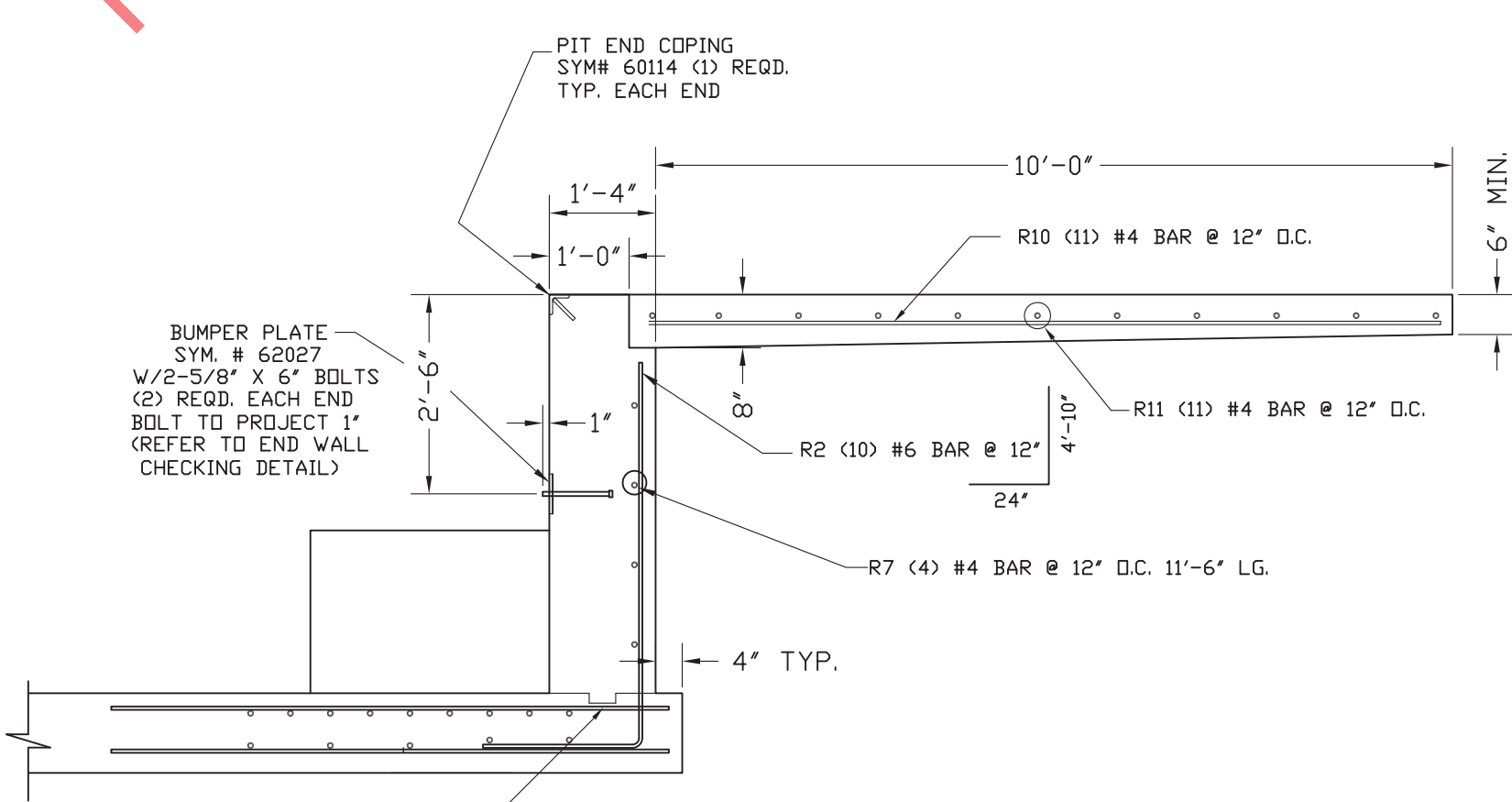


END WALL CHECKING DETAIL

APPROX. CONCRETE REQ'D.	
SLAB WALLS&PIERS	16 CU. YDS.
APPROACHES	20 CU. YDS.
TOTAL	36 CU. YDS.
W/O SAFETY PIERS	41 CU. YDS.
TOTAL	42 CU. YDS.

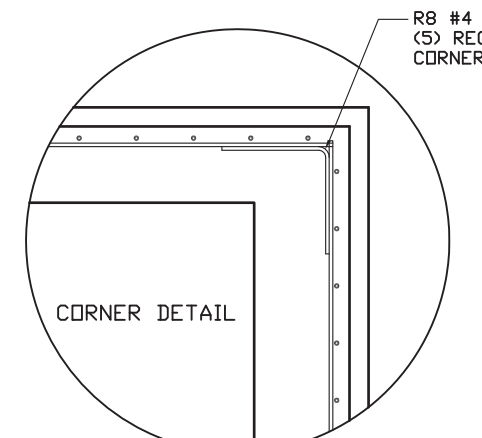


SECTION B-B



END WALL AND APPROACH TYPICAL EACH END

APPROX. EXCAVATION QTY = 115 CU. YDS. (BASED ON 2'-0" CLEARANCE AROUND SIDE OF PIT)



CORNER DETAIL

- GENERAL NOTES
- EXCAVATION, FOUNDATION FORMS, REBARS, AND CONCRETE IS TO BE FURNISHED BY CONTRACTOR OR CUSTOMER.
 - REINFORCING BARS ARE TO EQUAL ASTM A615, GRADE 50 OR 60. BEND BARS COLD TO CONFORM WITH REQUIRED DETAILS. REMOVE SCALE, LOOSE FLAKY RUST, DIRT, AND OTHER COATING THAT WOULD IMPAIR BONDING. SPACE BARS PROPERLY AND TIE SECURELY IN POSITION BEFORE PLACING CONCRETE. TACK WELDING TO KEEP REINFORCING IN PLACE IS NOT PERMITTED.
 - MATERIAL AND WORKMANSHIP TO BE IN ACCORDANCE WITH CURRENT AMERICAN CONCRETE INSTITUTE (ACI) CODE REQUIREMENTS. ALL CONCRETE TO BE A MINIMUM OF 3000 P.S.I. @ 28 DAYS.
 - 1500 P.S.F. MINIMUM SOIL BEARING CAPACITY IS REQUIRED. THE DESIGN IS ADEQUATE FOR HIGHWAY SURCHARGE OR 300 P.S.F. ADJACENT TO PIT WALLS.
 - REFER TO SJ MANUAL 3884 FOR MORE DETAILED INSTRUCTIONS ON PIT CONSTRUCTION RECOMMENDATIONS.
 - WORK FROM CENTERLINES WHEN ERECTING FORMS AND PLACING FOUNDATION BOLTS. PLACE BOLTS TO WITHIN $\pm 3/8"$ OF POSITIONS INDICATED ON DRAWINGS. (BOLTS MUST BE PLACED WITHIN $\pm 3/8"$ OF TOTAL DIMENSIONS FROM CENTERLINE OF SCALE.)
 - FOR SETTING PLAN, SEE DRAWING D91374-SP.
 - CLEARANCE DIMENSION FOR BOTTOM OF MAIN GIRDER TO PIT FLOOR IS 33".
 - VARIOUS STATE WEIGHTS AND MEASURES AUTHORITIES HAVE REGULATIONS, PARTICULARLY IN REGARD TO PIT DEPTH AND APPROACHES, AFFECTING PIT AND INSTALLATION. THE PIT CONTRACTOR IS RESPONSIBLE TO VERIFY THAT THIS PLAN AND INSTALLATION MEETS LOCAL MINIMUM REQUIREMENTS. FOR ASSISTANCE, CONTACT NEAREST FAIRBANKS SCALE OFFICE.
 - SOME STATES REQUIRE THAT CONCRETE PIERS BE POUR MONOLITHIC WITH SIDE WALLS. (RECOMMENDED METHOD)
 - SUITABLE CONDUIT FOR LOW VOLTAGE CONDUCTOR SHIELDED CABLE MUST PASS THRU THE PIT WALL AT ANY POINT ABOVE PIER TOPS THAT IS CONVENIENT. CONDUIT MUST EXTEND BEYOND PIT WALL A MINIMUM OF 2'. FOR RUNS OF CONDUIT UP TO 50'-0" IN LENGTH, USE 1 1/2" CONDUIT. AVOID RUNNING CABLE IN CLOSE PROXIMITY TO HIGH VOLTAGE LINES. IF AS IS REQUIRED IN PIT, IT SHALL NOT RUN CLOSER THAN 24" IN PARALLEL TO ANY CABLE.
 - CAST-IN-PLACE ANCHOR BOLTS ARE NOT REQUIRED AT PIERS, BUT ARE REQUIRED IN THE END WALLS FOR CHECKING SYSTEM.
 - TOPS OF ALL PIERS MARKED "A" OR "B" MUST BE SMOOTH, FLAT, AND LEVEL FOR LOADCELL BASE PLATES TO BEAR PROPERLY.

LET	BY	DATE	REVISION
			MADE FROM D91375-RPS

FAIRBANKS SCALES			
Meridian, Mississippi			
30' X 10' REINFORCED PIT			
3-SECTION FULL ELECTRONIC			
CAP. 85 TON 70K CLC			
PLT-2600RC-5E0			
date	material	sheet	of
4/19/04		1	1
drawn by	checked by	approved by	
CB		D91374-RP5	