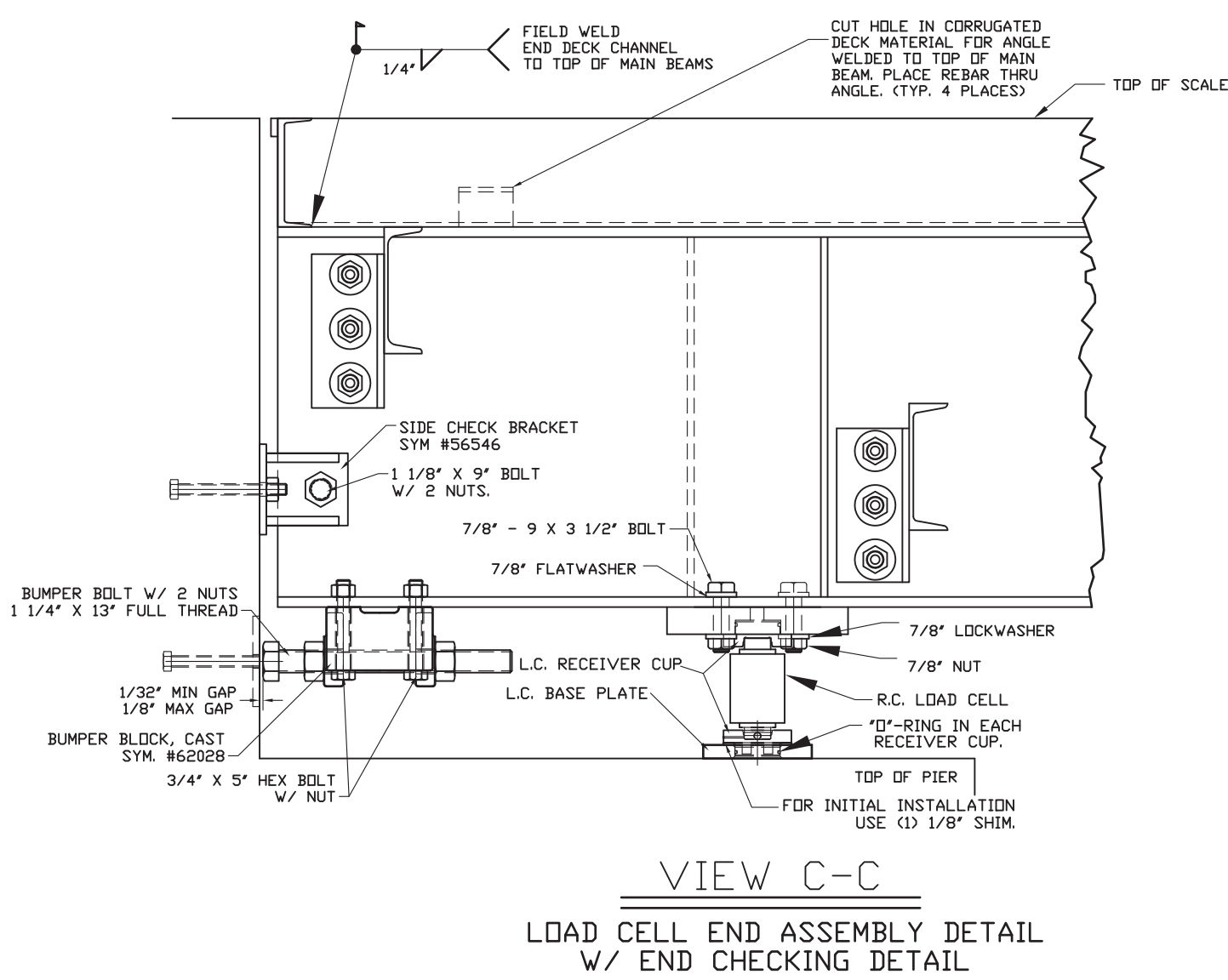
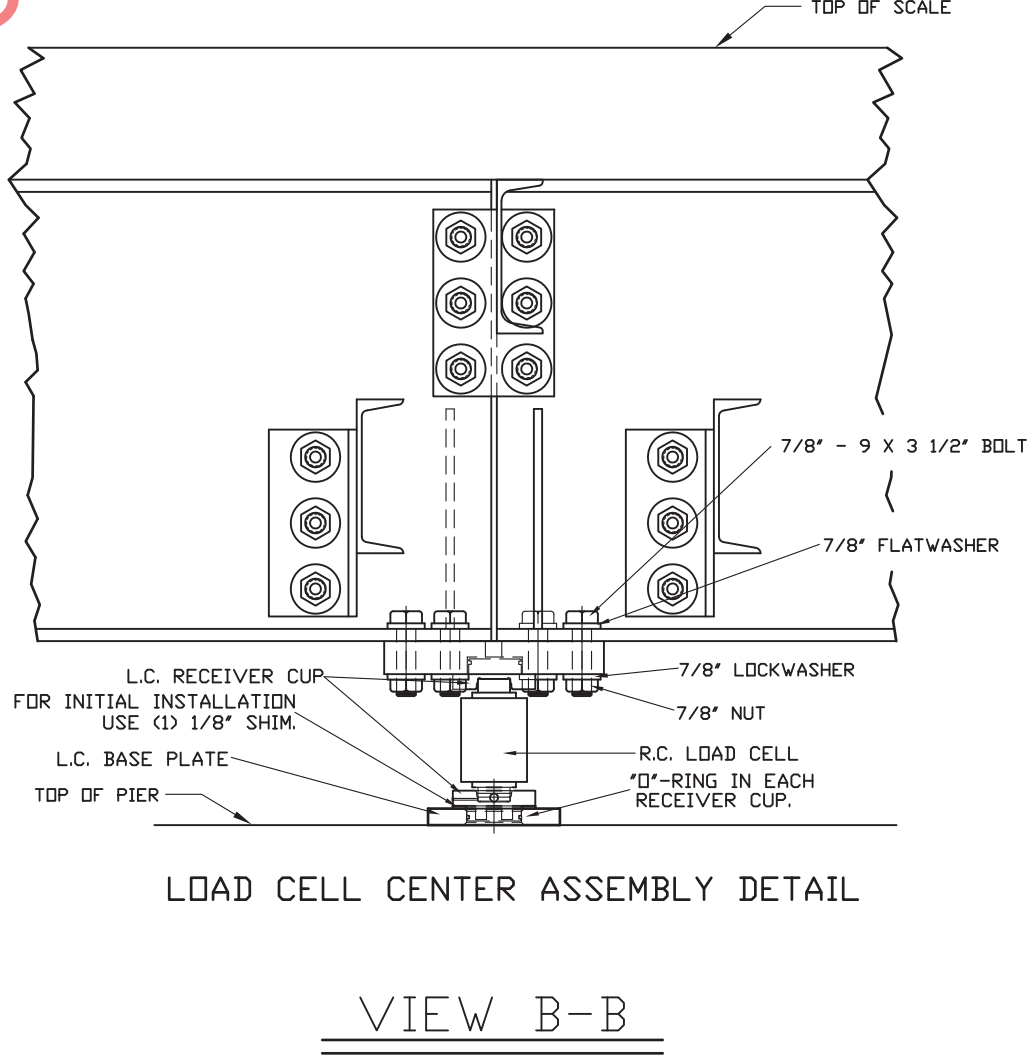
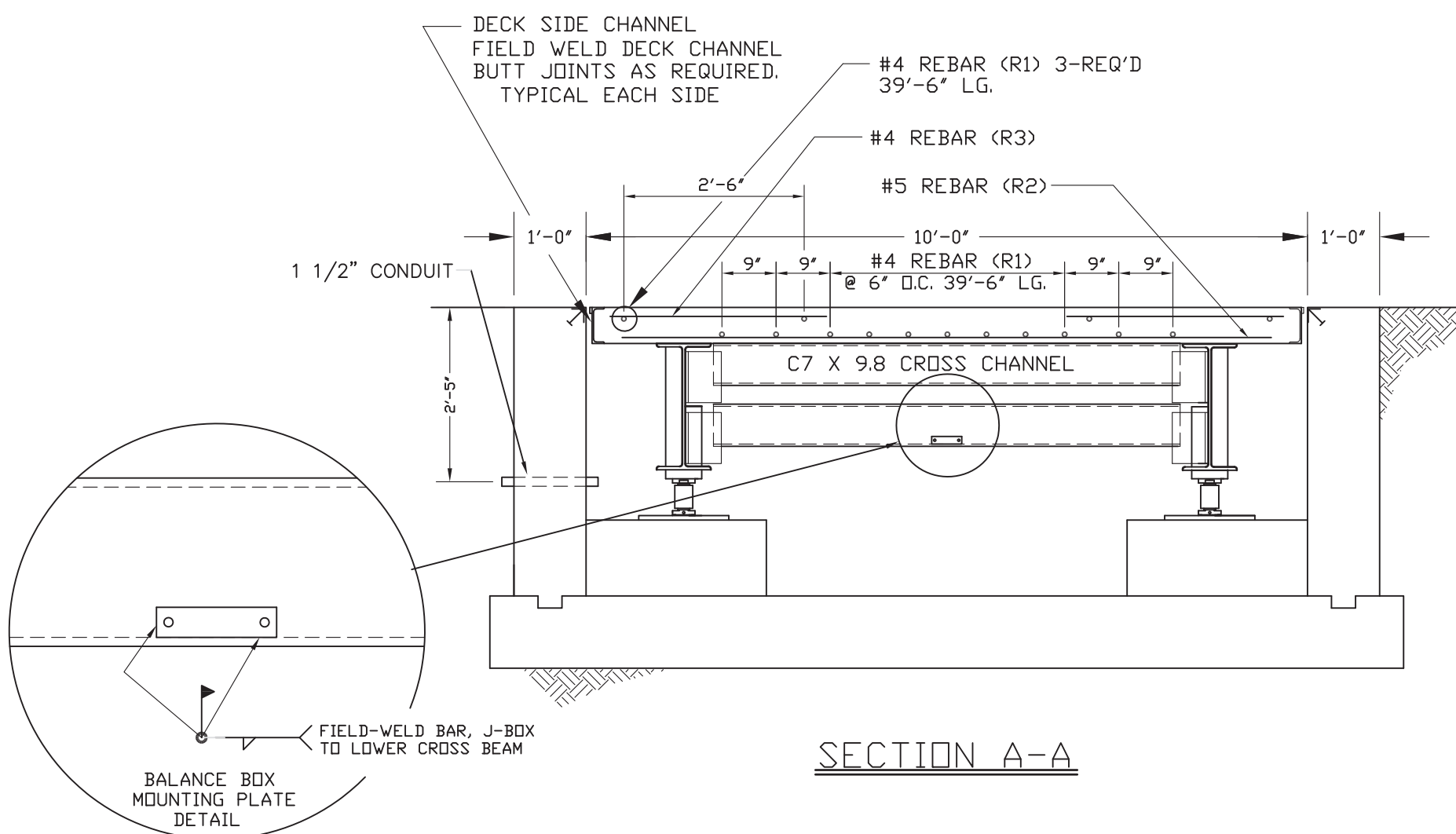


**DECK REINFORCING  
(SUPPLIED BY FAIRBANKS)**

MARK	QTY.	SIZE	DESCRIPTION	WT.
R1	4	#4	16'-0"	481
R2	2	#5	9'-0"	690
R3	6	#4	3'-0"	192

REBAR BUNDLE # 73704



- GENERAL NOTES:**
- EXCAVATION, FOUNDATION FORMS, FOUNDATION REBAR, AND ALL CONCRETE IS TO BE FURNISHED BY CONTRACTOR OR CUSTOMER OR AS CONTRACTED. REINFORCED FOUNDATION DRAWINGS SUITABLE FOR NORMAL INSTALLATION ARE AVAILABLE UPON REQUEST.
  - THE PIT DIMENSIONS AS SHOWN ARE THE MINIMUM REQUIRED TO ACCOMMODATE THE SCALE. N.B.S. H44 REQUIREMENTS AND LOCAL WEIGHTS AND MEASURE REGULATIONS MAY SPECIFY ADDITIONAL INSTALLATION REQUIREMENTS. IN ORDER TO INSURE COMPLIANCE, CONSULT THE GOVERNING WEIGHTS AND MEASURE DEPARTMENT PRIOR TO INSTALLATION.
  - TO COMPLY WITH SPECIFICATIONS OF N.I.S.T. H44, ANY ENDS OF A VEHICLE SCALE INSTALLED IN ONE LOCATION FOR A PERIOD OF SIX MONTHS OR MORE SHALL HAVE A STRAIGHT APPROACH AT LEAST AS WIDE AS THE PLATFORM AND AT LEAST ONE-HALF THE LENGTH OF THE PLATFORM. NOT LESS THAN 10 FEET ON ANY APPROACH ADJACENT TO THE PLATFORM SHALL BE CONSTRUCTED OF CONCRETE OR OTHER DURABLE MATERIAL TO INSURE THAT THIS PORTION REMAINS SMOOTH AND IS IN THE SAME PLANE AS THE PLATFORM. WHERE NECESSARY FOR DRAINAGE, THE REMAINING PORTION OF THE APPROACH MAY SLOPE SLIGHTLY.
  - WORK FROM CENTERLINES WHEN ERECTING FORMS AND PLACING FOUNDATION BOLTS. PLACE BOLTS TO WITHIN  $\pm 1/8"$  OF POSITIONS INDICATED ON DRAWING. (BOLTS MUST BE PLACED WITHIN  $\pm 1/8"$  OF TOTAL DIMENSIONS FROM CENTERLINE OF SCALE.)
  - ADEQUATE PROVISION MUST BE MADE FOR READY ACCESS TO THE PIT FOR INSPECTION OR MAINTENANCE. 24" DIA. MANHOLES ARE OPTIONALLY FURNISHED BY FAIRBANKS SCALES WHEN ORDERED. (SYM. NO. 55008).
  - APPROXIMATELY 7.5 CU. YD. OF CONCRETE IS REQUIRED FOR THE PLATFORM SLAB. USE  $f_c = 4000$  PSI CONCRETE.
  - VEHICLES SHOULD ENTER AND EXIT SCALE FROM APPROACHES ONLY. ALL CROSS TRAFFIC SHOULD BE RESTRICTED.
  - IT IS RECOMMENDED THAT THE WEIGHBRIDGE BE ASSEMBLED AND BLOCKED IN THE PIT BEFORE THE LOAD CELL ASSEMBLIES ARE ASSEMBLED AND INSTALLED.
  - WHEN WELDING IN PIT OR ON WEIGHBRIDGE, LOAD CELLS MUST BE DISCONNECTED AND LEADS TAPED TO PREVENT THEM FROM TOUCHING EACH OTHER AND FROM GROUNDING.
  - CAST-IN-PLACE ANCHOR BOLTS ARE NOT REQUIRED AT PIERS, BUT ARE REQUIRED IN THE END WALLS FOR CHECKING SYSTEM.
  - TOPS OF ALL PIERS MARKED 'A' OR 'B' MUST BE SMOOTH FLAT & LEVEL, FOR LOAD CELL BASE PLATES TO BEAR PROPERLY.

LET	BY	DATE	REVISION

<b>FAIRBANKS SCALES</b>	
Meridian, Mississippi	
40' X 10' SETTING PLAN	
3-SECTION FULL ELECTRONIC	
W/ ROCKER COLUMN LOAD CELLS	
CAP. 85 TON 70K CLC	
date	material
12/28/99	PLT-2600RC-5G0
scale	sheet
N/A	1 of 1
drawn by	BT
traced by	SETTING PLAN
checked by	D91375-SP
approved by	

The material and information contained herein is confidential and is the property of Fairbanks Scales and is not to be used, disclosed, copied, transferred or reproduced without the prior written permission of Fairbanks.

Unless otherwise specified dimensions are in inches. Tolerances: Fractions: 1/8" to be used, disclosed, copied, transferred or reproduced without the prior written permission of Fairbanks. Hole diameter:  $\pm 1/32"$