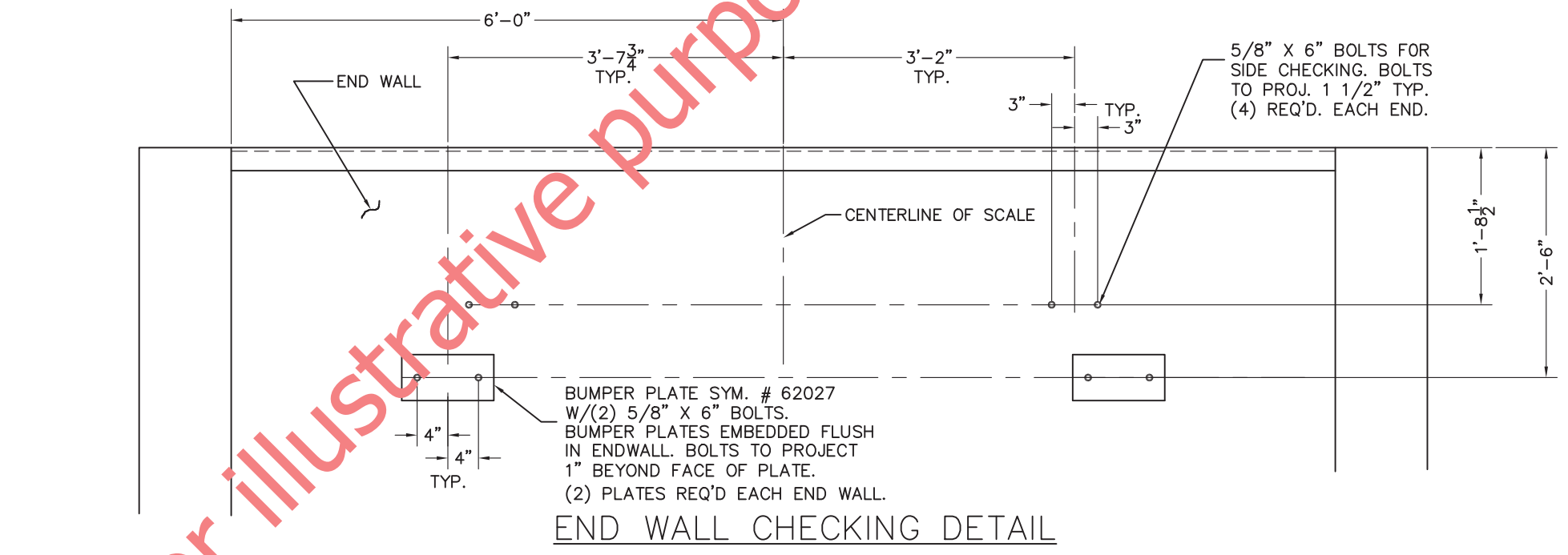
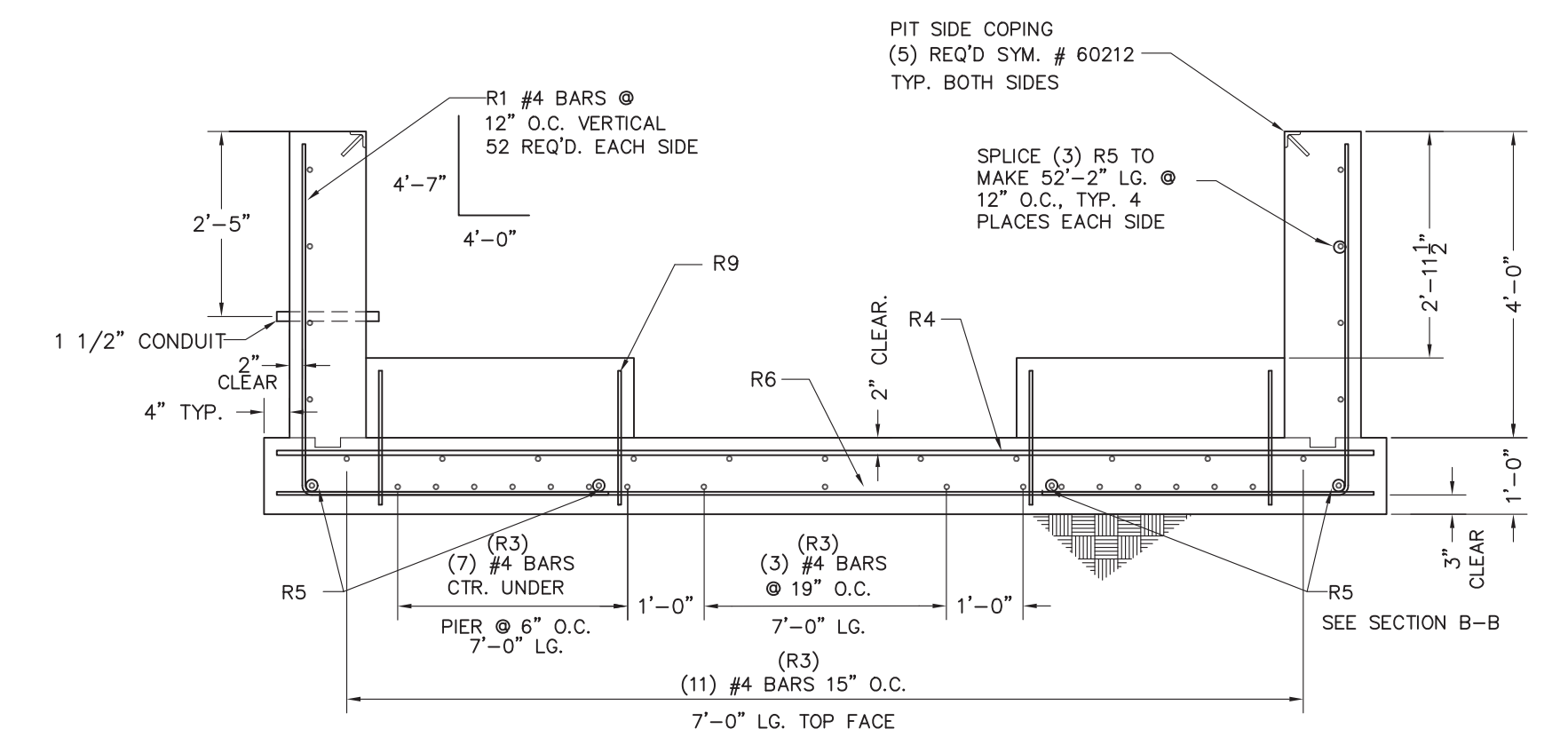
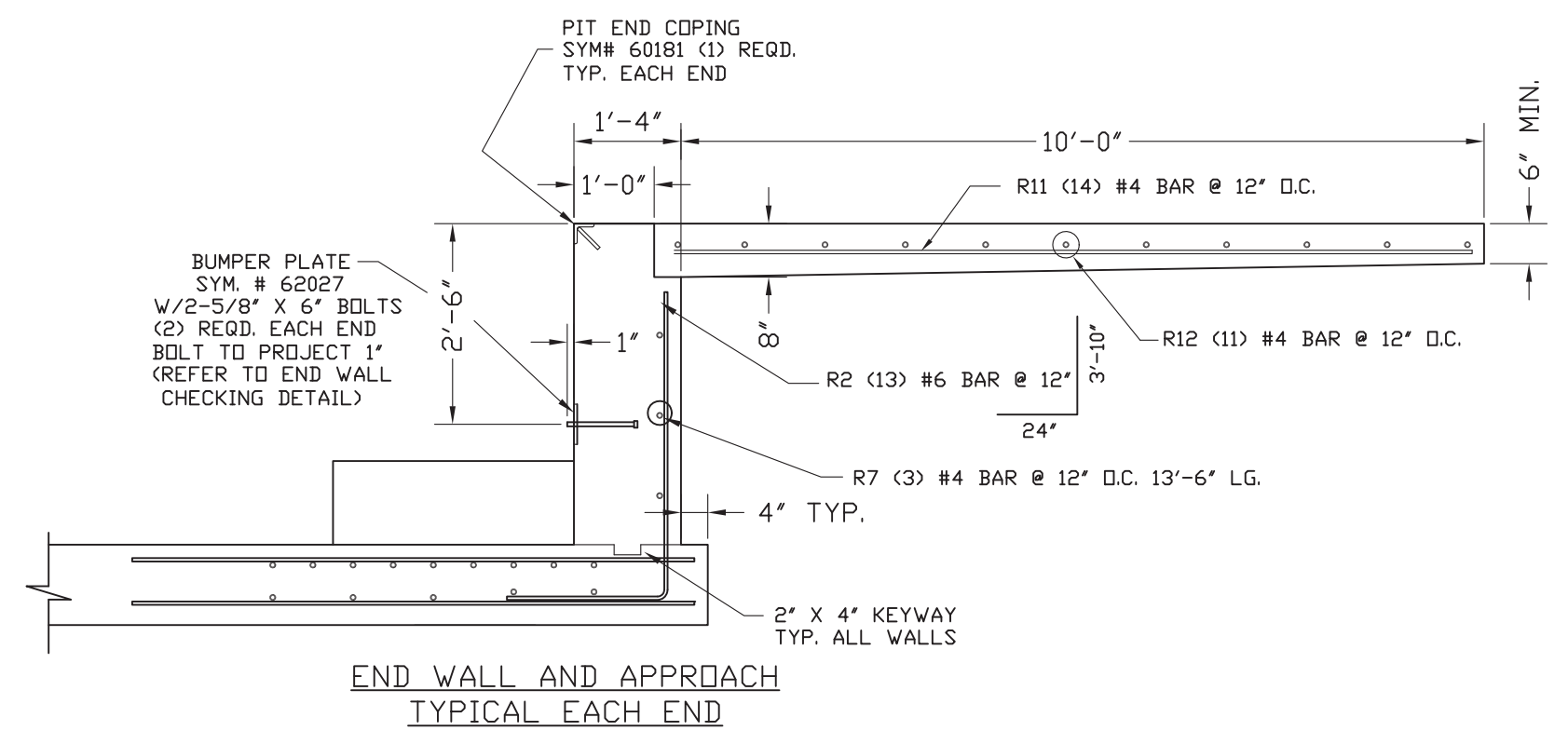
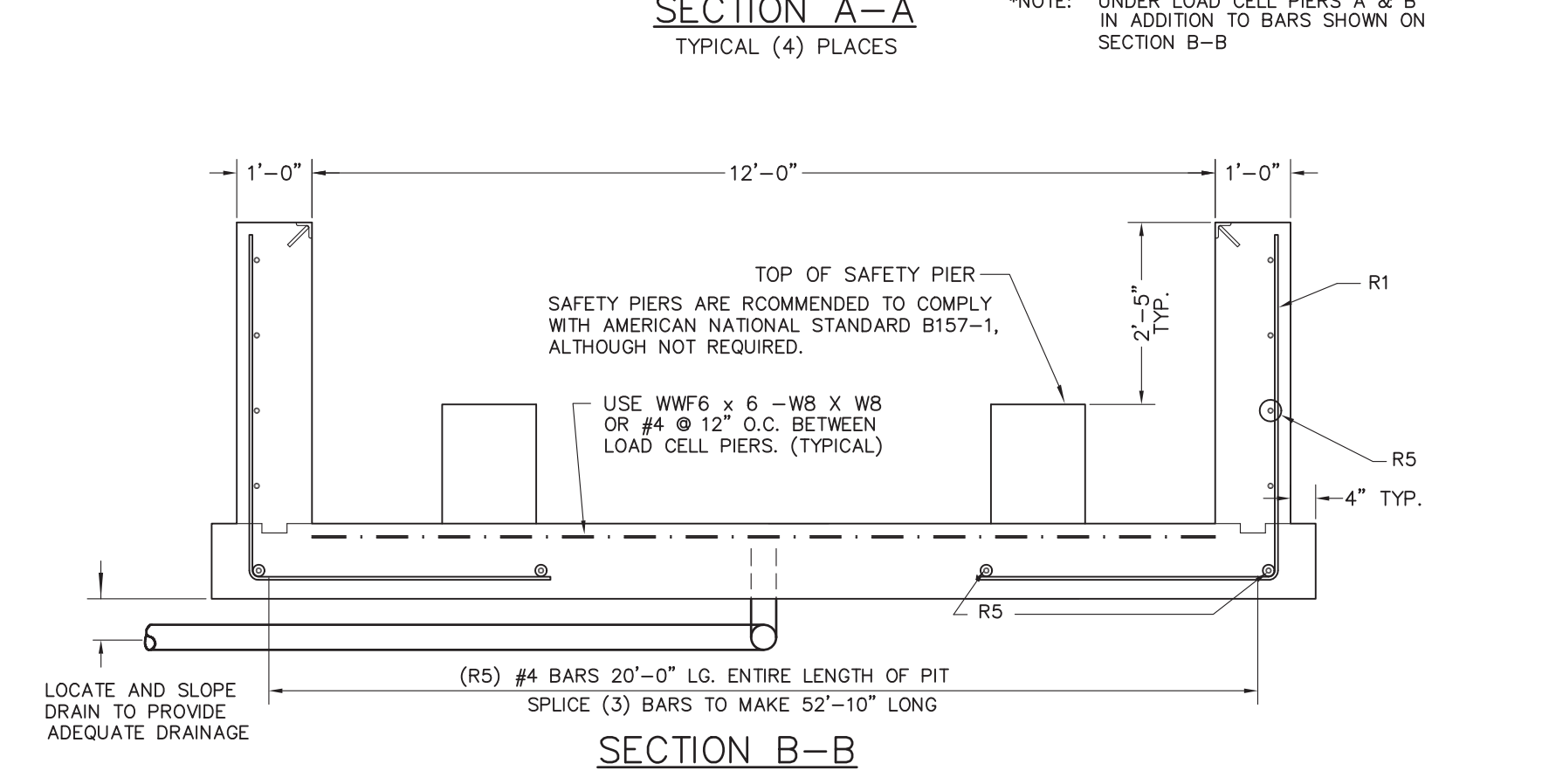


- GENERAL NOTES
- EXCAVATION, FOUNDATION FORMS, REBARS, AND CONCRETE IS TO BE FURNISHED BY CONTRACTOR OR CUSTOMER.
 - REINFORCING BARS ARE TO EQUAL ASTM A615, GRADE 50 OR 60. BEND BARS COLD TO CONFORM WITH REQUIRED DETAILS. REMOVE SCALE, LOOSE FLAKY RUST, DIRT, AND OTHER COATING THAT WOULD IMPAIR BONDING. SPACE BARS PROPERLY AND TIE SECURELY IN POSITION BEFORE PLACING CONCRETE. TACK WELDING TO KEEP REINFORCING IN PLACE IS NOT PERMITTED.
 - MATERIAL AND WORKMANSHIP TO BE IN ACCORDANCE WITH CURRENT AMERICAN CONCRETE INSTITUTE (ACI) CODE REQUIREMENTS. ALL CONCRETE TO BE A MINIMUM OF 3000 P.S.I. @ 28 DAYS.
 - 1500 P.S.F. MINIMUM SOIL BEARING CAPACITY IS REQUIRED. THE DESIGN IS ADEQUATE FOR HIGHWAY SURCHARGE OR 300 P.S.F. ADJACENT TO PIT WALLS.
 - REFER TO SJ MANUAL 3884 FOR MORE DETAILED INSTRUCTIONS ON PIT CONSTRUCTION RECOMMENDATIONS.
 - WORK FROM CENTERLINES WHEN ERECTING FORMS AND PLACING FOUNDATION BOLTS. PLACE BOLTS TO WITHIN 1/8" OF POSITIONS INDICATED ON DRAWINGS. (BOLTS MUST BE PLACED WITHIN 1/8" OF TOTAL DIMENSIONS FROM CENTERLINE OF SCALE.)
 - FOR SETTING PLAN, SEE DRAWING D91388-SP.
 - CLEARANCE DIMENSION FOR BOTTOM OF MAIN GIRDER TO PIT FLOOR IS 21".
 - VARIOUS STATE WEIGHTS AND MEASURES AUTHORITIES HAVE REGULATIONS, PARTICULARLY IN REGARD TO PIT DEPTH AND APPROACHES, AFFECTING PIT AND INSTALLATION. THE PIT CONTRACTOR IS RESPONSIBLE TO VERIFY THAT THIS PLAN AND INSTALLATION MEETS LOCAL MINIMUM REQUIREMENTS. FOR ASSISTANCE, CONTACT NEAREST FAIRBANKS SCALE OFFICE.
 - SOME STATES REQUIRE THAT CONCRETE PIERS BE POUR MONOLITHIC WITH SIDE WALLS. (RECOMMENDED METHOD)
 - SUITABLE CONDUIT FOR LOW VOLTAGE CONDUCTOR SHIELDED CABLE MUST PASS THRU THE PIT WALL AT ANY POINT ABOVE PIER TOPS THAT IS CONVENIENT. CONDUIT MUST EXTEND BEYOND PIT WALL A MINIMUM OF 2'. FOR RUNS OF CONDUIT UP TO 50'-0" IN LENGTH, USE 1 1/2" CONDUIT. AVOID RUNNING CABLE IN CLOSE PROXIMITY TO HIGH VOLTAGE LINES. IF AS IS REQUIRED IN PIT, IT SHALL NOT RUN CLOSER THAN 24" IN PARALLEL TO ANY CELL CABLE.
 - CAST-IN-PLACE ANCHOR BOLTS ARE NOT REQUIRED AT PIERS, BUT ARE REQUIRED IN THE END WALLS FOR CHECKING SYSTEM.
 - TOPS OF ALL PIERS MARKED "A" OR "B" MUST BE SMOOTH, FLAT, AND LEVEL FOR LOADCELL BASE PLATES TO BEAR PROPERLY.



| REINFORCING BAR SCHEDULE | | | | | |
|---|------|------|--------|---------------|--------|
| SYM. | QTY. | SIZE | LENGTH | BENDING | WEIGHT |
| R1 | 104 | #4 | 8'-7" | 4'-7" 4'-0" | 596 |
| R2 | 26 | #6 | 5'-10" | 3'-10" 24" | 228 |
| R3 | 112 | #4 | 7'-0" | 7'-0" | 524 |
| R4 | 36 | #6 | 14'-2" | 14'-2" | 766 |
| R5 | 36 | #4 | 20'-0" | 20'-0" | 481 |
| R6 | 20 | #4 | 14'-2" | 14'-2" | 189 |
| R7 | 6 | #4 | 13'-6" | 13'-6" | 54 |
| R8 | 16 | #4 | 4'-0" | 2'-0" 2'-0" | 43 |
| R9 | 32 | #4 | 1'-6" | 1'-6" | 32 |
| R10 | 48 | #4 | 1'-10" | 1'-10" | 59 |
| REINFORCING BAR SCHEDULE FOR APPROACHES | | | | | |
| R11 | 28 | #4 | 10'-0" | 10'-0" | 187 |
| R12 | 22 | #4 | 13'-6" | 13'-6" | 198 |
| TOTAL | | | | | 3,357 |

PLUS APPROX. 489 SQUARE FEET OF WWF 6 x 6 - W8 X W8



APPROX. EXCAVATION QTY = 208 CU. YDS. (BASED ON 2'-0" CLEARANCE AROUND SIDE OF PIT)

| LET | BY | DATE | REVISION |
|-----|----|------|----------|
| | | | |

FAIRBANKS SCALES
Meridian, Mississippi

50' X 12' REINFORCED PIT
4-SECTION FULL ELECTRONIC
CAP. 100 TON 70K CLC
PLT-2600RC-512

DATE: 6/1/05

SCALE: N/A

SHEET: 1 OF 1

DRAWN BY: REC

CHECKED BY:

APPROVED BY:

D91388-RP4