

APPROX. CONCRETE REQ'D.

SLAB/PIERS	36 CU. YDS.
WALLS	34 CU. YDS.
APPROACHES	6 CU. YDS.
TOTAL W/O SAFETY PIERS	76 CU. YDS.
TOTAL W/ SAFETY PIERS	79 CU. YDS.

APPROX. EXCAVATION QTY = 296 CU. YDS. (BASED ON 2'-0" CLEARANCE AROUND SIDE OF PIT)

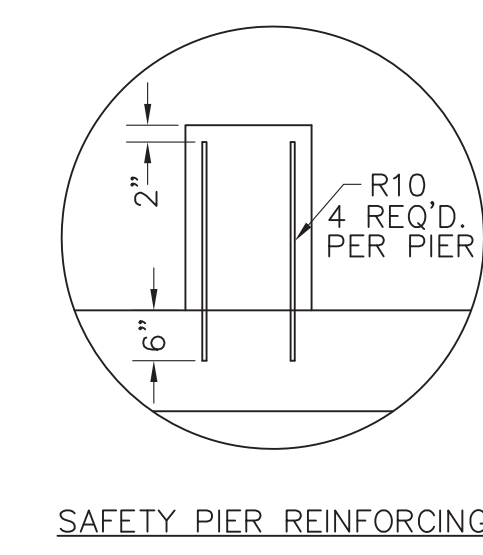
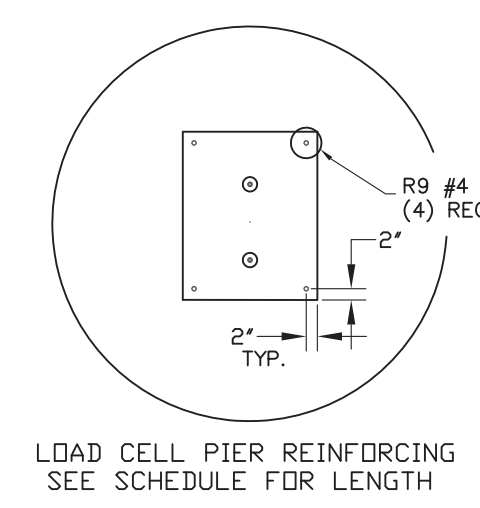
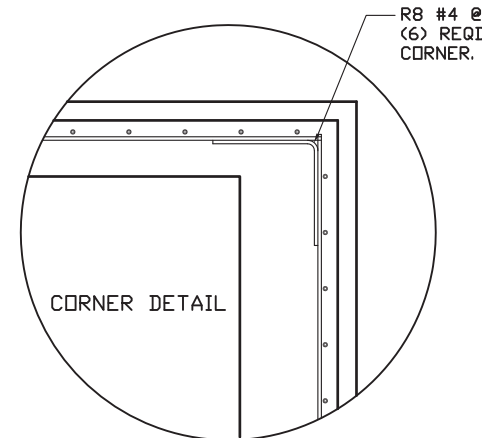
REINFORCING BAR SCHEDULE

SYM.	QTY.	SIZE	LENGTH	BENDING	WEIGHT
R1	124	#5	9'-7"	6'-7"   3'-0"	1239
R2	22	#6	7'-10"	5'-10"   2'-0"	259
R3	104	#4	7'-0"	7'-0"	486
R4	36	#6	12'-2"	12'-2"	658
R5	48	#4	20'-0"	20'-0"	641
R6	20	#4	12'-2"	12'-2"	163
R7	10	#4	11'-4"	11'-4"	76
R8	24	#4	4'-0"	2'-0"   2'-0"	64
R9	32	#4	3'-8"	3'-8"	78
R10	48	#4	4'-2"	4'-2"	134

REINFORCING BAR SCHEDULE FOR APPROACHES

R10	24	#4	10'-0"	10'-0"	160
R11	22	#4	11'-8"	11'-8"	171
TOTAL					4129

PLUS APPROX. 660 SQUARE FEET OF WWF 6 x 6 - W8 x W8



LET BY	DATE	REVISION
		MADE FROM D91365-RP4

**FAIRBANKS SCALES**  
Meridian, Mississippi

60' X 10' REINFORCED PIT  
4-SECTION FULL ELECTRONIC  
CAP. 100 TON 45K CLC  
PLT-2600RC-2KO

DATE: 6/9/00

SCALE: N/A

SHEET: 1 of 1

DRAWN BY: SLS

6' DEEP PIT

CHECKED BY: [ ]

APPROVED BY: [ ]

D91365-RP6-IA