

APPROX. CONCRETE REQ'D.

SLAB WALLS/PIERS	34 CU. YDS.
APPROACHES	26 CU. YDS.
TOTAL W/O SAFETY PIERS	66 CU. YDS.
TOTAL W/ SAFETY PIERS	68 CU. YDS.

REINFORCING BAR SCHEDULE

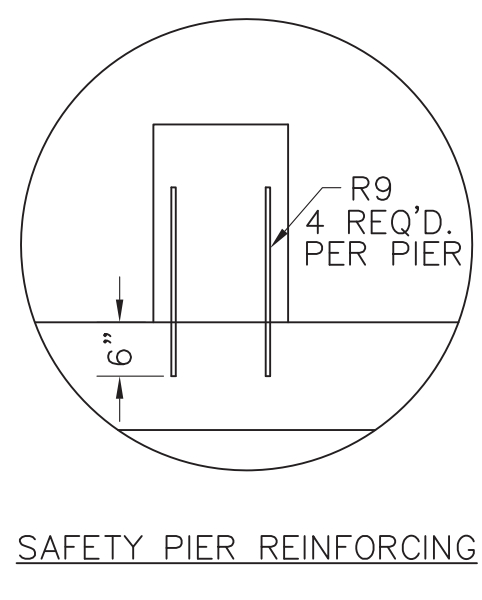
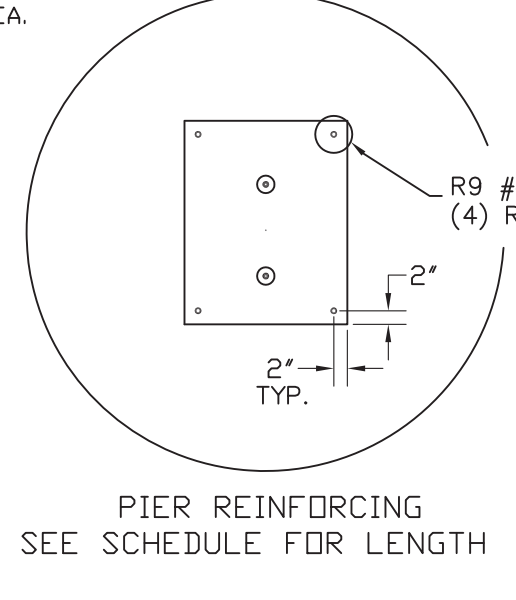
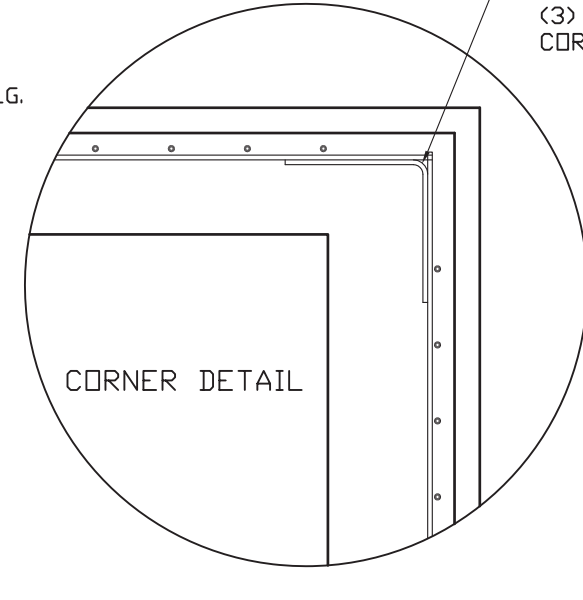
SYM.	QTY.	SIZE	LENGTH	BENDING	WEIGHT
R1	122	#4	8'-7"	4'-7" 4'-0"	700
R2	24	#6	5'-10"	3'-10" 2'-0"	210
R3	112	#4	7'-0"	7'-0"	524
R4	36	#6	14'-2"	14'-2"	767
R5	48	#4	18'-0"	18'-0"	577
R6	20	#4	14'-2"	14'-2"	189
R7	6	#4	13'-4"	13'-4"	53
R8	12	#4	4'-0"	2'-0" 2'-0"	32
R9	80	#4	1'-6"	1'-6"	80
R10	26	#4	10'-0"	10'-0"	174
R11	22	#4	13'-8"	13'-8"	201
TOTAL					3507

REINFORCING BAR SCHEDULE FOR APPROACHES

R10	26	#4	10'-0"	10'-0"	174
R11	22	#4	13'-8"	13'-8"	201
TOTAL					375

PLUS APPROX. 652 SQUARE FEET OF WF 6 X 6 - WB X WB

APPROX. EXCAVATION QTY = 233 CU. YDS. (BASED ON 2'-0" CLEARANCE AROUND SIDE OF PIT)



- GENERAL NOTES:
- EXCAVATION, FOUNDATION FORMS, REBARS, AND CONCRETE IS TO BE FURNISHED BY CONTRACTOR OR CUSTOMER.
 - REINFORCING BARS ARE TO EQUAL ASTM A615, GRADE 50 OR 60. BEND BARS COLD TO CONFORM WITH REQUIRED DETAILS. REMOVE SCALE, LOOSE FLAKY RUST, DIRT, AND OTHER COATING THAT WOULD IMPAIR BONDING. SPACE BARS PROPERLY AND TIE SECURELY IN POSITION BEFORE PLACING CONCRETE. TACK WELDING TO KEEP REINFORCING IN PLACE IS NOT PERMITTED.
 - MATERIAL AND WORKMANSHIP TO BE IN ACCORDANCE WITH CURRENT AMERICAN CONCRETE INSTITUTE (ACI) CODE REQUIREMENTS. ALL CONCRETE TO BE A MINIMUM OF 3000 P.S.I. @ 28 DAYS.
 - 1500 P.S.F. MINIMUM SOIL BEARING CAPACITY IS REQUIRED. THE DESIGN IS ADEQUATE FOR A HIGHWAY SURCHARGE OF 300 P.S.F. ADJACENT TO PIT WALLS.
 - REFER TO MANUAL FOR MORE DETAILED INSTRUCTIONS ON PIT CONSTRUCTION RECOMMENDATIONS.
 - WORK FROM CENTERLINES WHEN ERECTING FORMS AND PLACING FOUNDATION BOLTS. PLACE BOLTS TO WITHIN ±1/8" OF POSITIONS INDICATED ON DRAWING. (BOLTS MUST BE PLACED WITHIN ±1/8" OF TOTAL DIMENSIONS FROM CENTERLINE OF SCALE.)
 - FOR SETTING PLAN, SEE DRAWING D91529-SP
 - CLEARANCE DIMENSION FROM BOTTOM OF MAIN GIRDER TO PIT FLOOR IS 21".
 - VARIOUS STATE WEIGHTS & MEASURES AUTHORITIES HAVE REGULATIONS, PARTICULARLY IN REGARD TO PIT DEPTH AND APPROACHES, AFFECTING PIT AND INSTALLATION. THE PIT CONTRACTOR IS RESPONSIBLE TO VERIFY THAT THIS PLAN AND INSTALLATION MEETS LOCAL MINIMUM REQUIREMENTS. FOR ASSISTANCE CONTACT NEAREST FAIRBANKS SCALES OFFICE.
 - SOME STATE REQUIRE THAT CONCRETE PIERS BE POURED MONOLITHIC WITH SIDE WALLS. (RECOMMENDED METHOD)
 - SUITABLE CONDUIT FOR LOW VOLTAGE CONDUCTOR SHIELDED CABLE MUST PASS THRU THE PIT WALL AT ANY POINT ABOVE PIER TOPS THAT IS CONVENIENT. CONDUIT MUST EXTEND BEYOND PIT WALL A MINIMUM OF 2". FOR RUNS OF CONDUIT UP TO 50'-0" IN LENGTH, USE 1 1/2" CONDUIT. AVOID RUNNING CABLE IN CLOSE PROXIMITY TO HIGH VOLTAGE LINES. IF AC IS REQUIRED IN PIT, IT SHALL NOT RUN CLOSER THAN 24" IN PARALLEL TO ANY CELL CABLE.
 - CAST-IN-PLACE ANCHOR BOLTS ARE NOT REQUIRED AT PIERS, BUT ARE REQUIRED IN THE END WALLS FOR CHECKING SYSTEM.
 - TOPS OF ALL PIERS MAKE "A" OR "B" MUST BE SMOOTH, FLAT, AND LEVEL FOR LOADCELL BASE PLATES TO BEAR PROPERLY.

LET	BY	DATE	REVISION
			MADE FROM 91365-RP4

DATE: 06/04/04

MATERIAL: 60' X 12' REINFORCED PIT

4-SECTION FULL ELECTRONIC

CAP. 75 TON 45K CLC

PLT-2600RC-2K2

sheet 1 of 1

drawn by LB

4' DEEP PIT

checked by

approved by

D91529-RP4

The material and information contained herein is confidential and is the property of Fairbanks Scales and is not to be used, disclosed, copied, transferred or reproduced without the prior written permission of Fairbanks.

Unless otherwise specified dimensions are in inches. Tolerances: Fractions: 1/8" Angles: 1° 3 place decimals 2 place decimals Hole diameters: ±1/32"