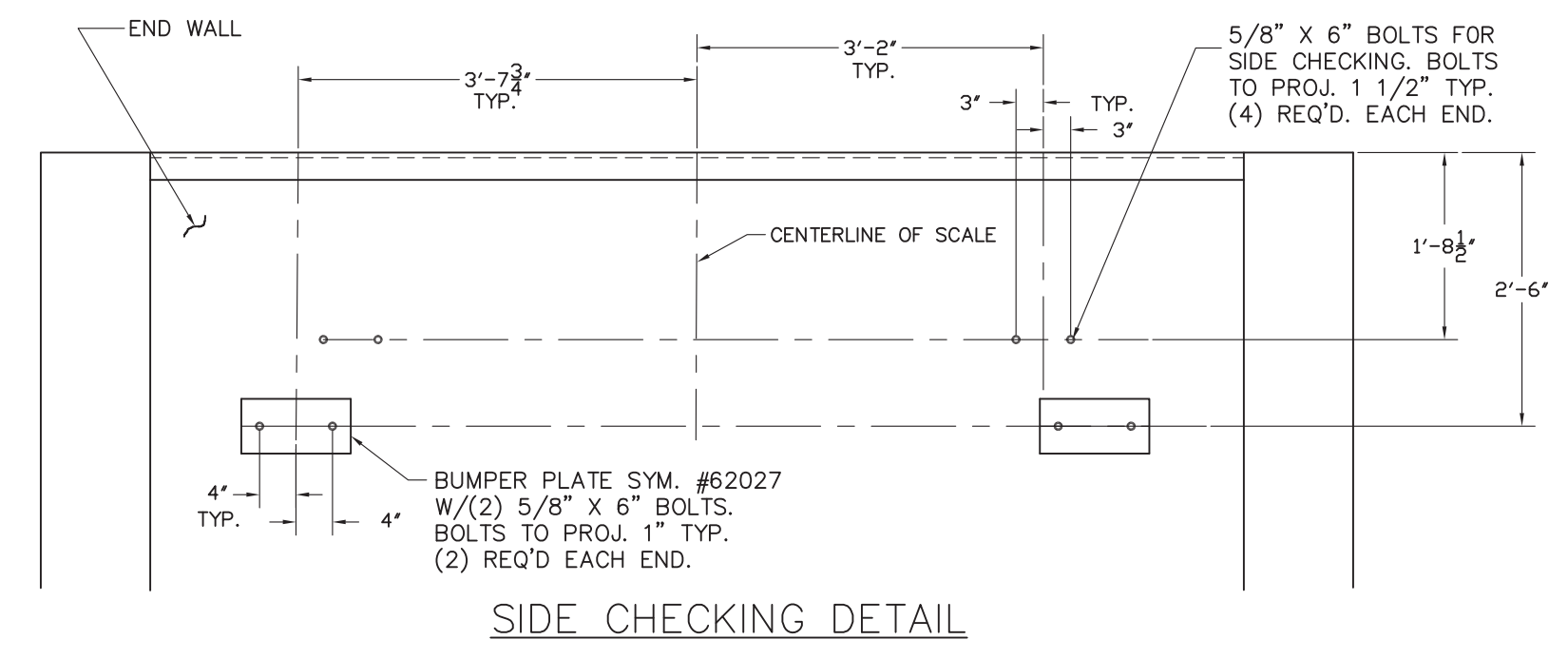
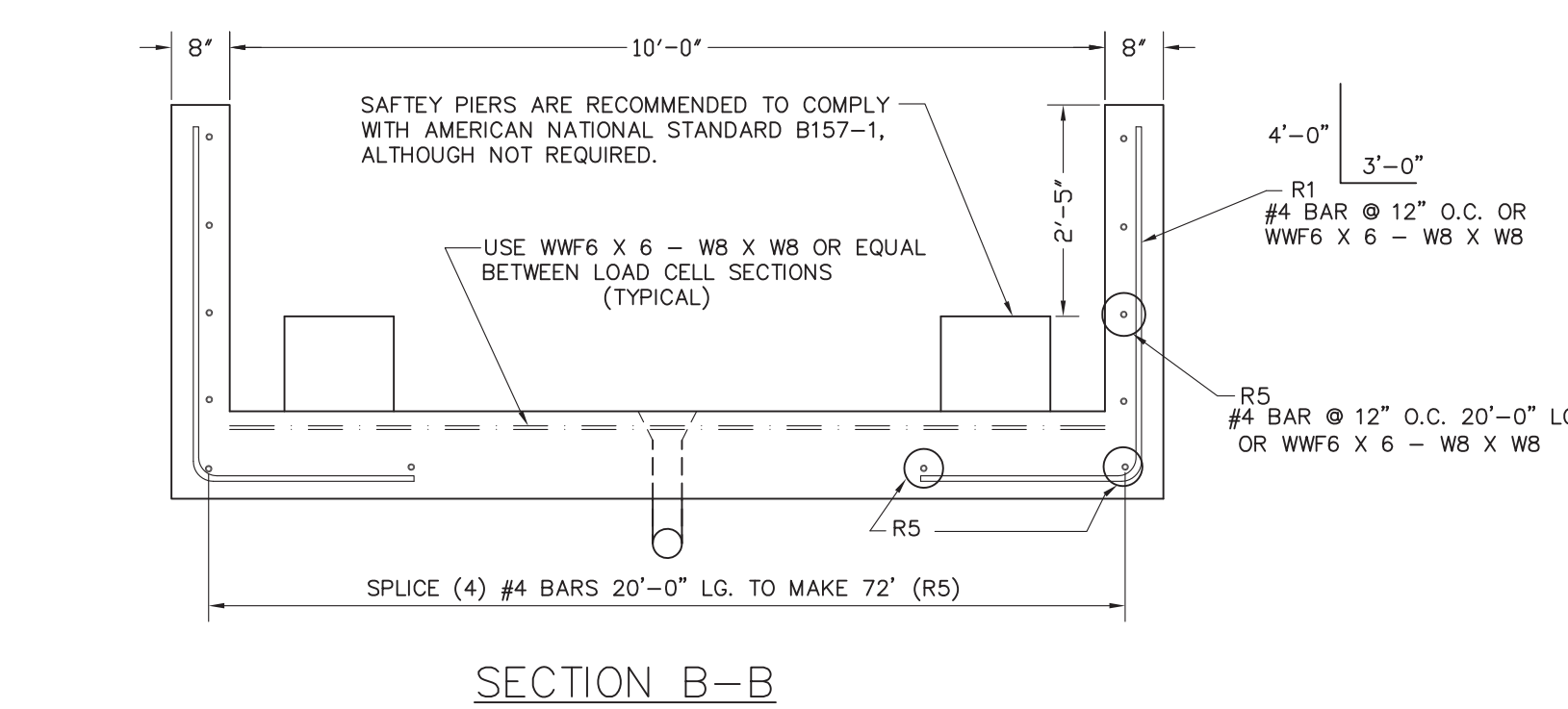


APPROX. CONCRETE REQ'D.

SLAB/PIERS	33 CU. YDS.
WALLS	17 CU. YDS.
APPROACHES	10 CU. YDS.
TOTAL W/O SAFETY PIERS	60 CU. YDS.
TOTAL W/ SAFETY PIERS	61 CU. YDS.

APPROX. EXCAVATION QTY = 203 CU. YDS. (BASED ON 2'-0" CLEARANCE AROUND SIDE OF PIT). COMPACT FILL PER LOCAL REQUIREMENTS.



- GENERAL NOTES:
- EXCAVATION, FOUNDATION FORMS, REBARS, AND CONCRETE IS TO FURNISHED BY CONTRACTOR OR CUSTOMER.
  - REINFORCING BARS ARE TO EQUAL ASTM A615, GRADE 60. BEND BARS COLD TO CONFORM WITH REQUIRED DETAILS. REMOVE SCALE, LOOSE FLAKY RUST, DIRT, AND OTHER COATINGS THAT WOULD IMPAIR BONDING. SPACE BARS PROPERLY AND TIE SECURELY IN POSITION BEFORE PLACING CONCRETE. TACK WELDING TO KEEP REINFORCING IN PLACE IS NOT PERMITTED.
  - MATERIAL AND WORKMANSHIP TO BE IN ACCORDANCE WITH CURRENT AMERICAN CONCRETE INSTITUTE (ACI) CODE REQUIREMENTS. ALL CONCRETE TO BE A MINIMUM OF 3000 P.S.I. @ 28 DAYS. DESIGN IS BASED ON 2500 P.S.I., THEREFORE SPECIAL INSPECTION IS NOT REQUIRED UNLESS OTHERWISE REQUIRED BY LOCAL BUILDING OFFICIAL.
  - 1500 P.S.F. MINIMUM SOIL BEARING CAPACITY IS REQUIRED. THE DESIGN IS ADEQUATE FOR A HIGHWAY SURCHARGE OF 300 P.S.F. ADJACENT TO PIT WALLS. IF EXPANSIVE OR COLLAPSIBLE SOILS ARE DISCOVERED ASSISTANCE WILL BE REQUIRED. WATER TABLE SHALL NOT BE ABOVE BOTTOM OF PIT FLOOR SLAB.
  - REFER TO MANUAL FOR MORE DETAILED INSTRUCTIONS ON PIT CONSTRUCTION RECOMMENDATIONS.
  - WORK FROM CENTERLINES WHEN ERECTING FORMS AND PLACING FOUNDATION BOLTS. PLACE BOLTS TO WITHIN ± 1/8" OF POSITIONS INDICATED ON DRAWING. (BOLTS MUST BE PLACED WITHIN ± 1/8" OF TOTAL DIMENSIONS FROM CENTERLINE OF SCALE.
  - FOR SETTING PLAN, SEE DRAWING D91366-SP.
  - WHERE PIT FLOOR IS POURED SOLID, SUMPS, INTERCONNECTED BY 2" PVC PIPES, SHALL BE INSTALLED AT LOCATIONS INDICATED. SUMPS SHALL BE 20" DIA. X 20" DEPTH WITH CONCRETE BOTTOM. THE PIT FLOOR SHALL SLOPE 1" FROM 4 DIRECTIONS TOWARD EACH SUMP. SUMP PUMP DISCHARGE SHALL TERMINATE WITH 2" FEMALE PIPE COUPLING JUST OUTSIDE THE PIT WALL. DUPLEX RECEPTACLE (WEATHER PROOF) WITH 115V AC, SINGLE PHASE, 20 AMP, AND GROUND-FAULT PROTECTION IS REQUIRED FOR SUMP PUMP ELECTRICAL SERVICE AND SHALL BE FURNISHED BY OTHERS.
  - VARIOUS STATE WEIGHTS & MEASUREMENTS AUTHORITIES HAVE REGULATIONS, PARTICULARLY IN REGARD TO PIT DEPTH AND APPROACHES, AFFECTING PIT AND INSTALLATION. THE PIT CONTRACTOR IS RESPONSIBLE TO VERIFY THAT THIS PLAN AND INSTALLATION MEETS LOCAL MINIMUM REQUIREMENTS. FOR ASSISTANCE CONTACT NEAREST FAIRBANKS SCALES OFFICE.
  - SUITABLE CONDUIT FOR LOW VOLTAGE CONDUCTOR SHIELDED CABLE MUST PASS THRU THE PIT WALL AT ANY POINT ABOVE PIER TOPS THAT IS CONVENIENT. CONDUIT MUST EXTEND BEYOND PIT WALL A MINIMUM OF 2". FOR RUNS OF CONDUIT UP TO 50'-0" IN LENGTH, USE 1 1/2" CONDUIT. AVOID RUNNING CABLE IN CLOSE PROXIMITY TO HIGH VOLTAGE LINES. IF AC IS REQUIRED IN PIT, IT SHALL NOT RUN CLOSER THAN 24" IN PARALLEL TO ANY LOAD CELL CABLE.
  - CAST-IN-PLACE ANCHOR BOLTS ARE NOT REQUIRED AT PIERS, BUT ARE REQUIRED IN THE END WALLS FOR CHECKING SYSTEM.
  - TOPS OF ALL PIERS MARKED "A" OR "B" MUST BE SMOOTH, FLAT, AND LEVEL FOR LOADCELL BASE PLATES TO BEAR PROPERLY.
  - CLEARANCE DIMENSION FOR BOTTOM OF MAIN GIRDER TO PIT FLOOR IS 15".

REINFORCING BAR SCHEDULE EXCEPT AS NOTED IN SECTIONS A-A & B-B AND THE ELEVATION VIEW

SYM.	QTY.	SIZE	LENGTH	BENDING	WEIGHT
R1	140	#4	7'-0"	4'-0"   3'-0"	655
R3	88	#4	7'-0"	7'-0"	411
R4	36	#6	10'-10"	10'-10"	586
R5	48	#4	20'-0"	20'-0"	641
R6	20	#4	10'-10"	10'-10"	145
TOTAL					2438

PLUS APPROX. 680 SQUARE FEET OF WB X WB, 6" X 6" WIRE FABRIC

ALSO SEE REINFORCING BAR & WIRE FABRIC FOR APPROACHES

NOTE: SEE SECTION A-A FOR PIER REINFORCING NOTE. PIER REINFORCING IS NOT SHOWN IN THE ABOVE TABLE.

LET	BY	DATE	REVISION
A	REC	1/6/05	REV GEN NOTES, SECT A-A, MISC. (WAS DWG #D91366-RP4-CA)

DATE: 8/12/99

MATERIAL: N/A

SCALE: 1/8" = 1'-0"

SHEET: 1 of 1

DRAWN BY: SLS

CHECKED BY:

APPROVED BY:

FAIRBANKS SCALES  
Meridian, Mississippi  
70' X 10' REINFORCED PIT  
4-SECTIONS FULL ELECTRONIC  
CAP. 75 TON 45K CLC  
PLT-2600RC-2MO

D91366-RP4-CA