

FOR LOCATION OF CHECKING BOLTS, SEE END WALL CHECKING DETAIL BELOW

OF SECTION 1

OF SECTION 2

OF SECTION 3

OF SECTION 4

OF SECTION 5

THESE DIMENSIONS TYPICAL FOR PIERS MARKED "A"

NOTE: THESE DIMENSIONS TYPICAL FOR ALL ANCHOR BOLT GROUPS MARKED "A" AND "B".

THESE DIMENSIONS TYPICAL FOR PIERS MARKED "B"

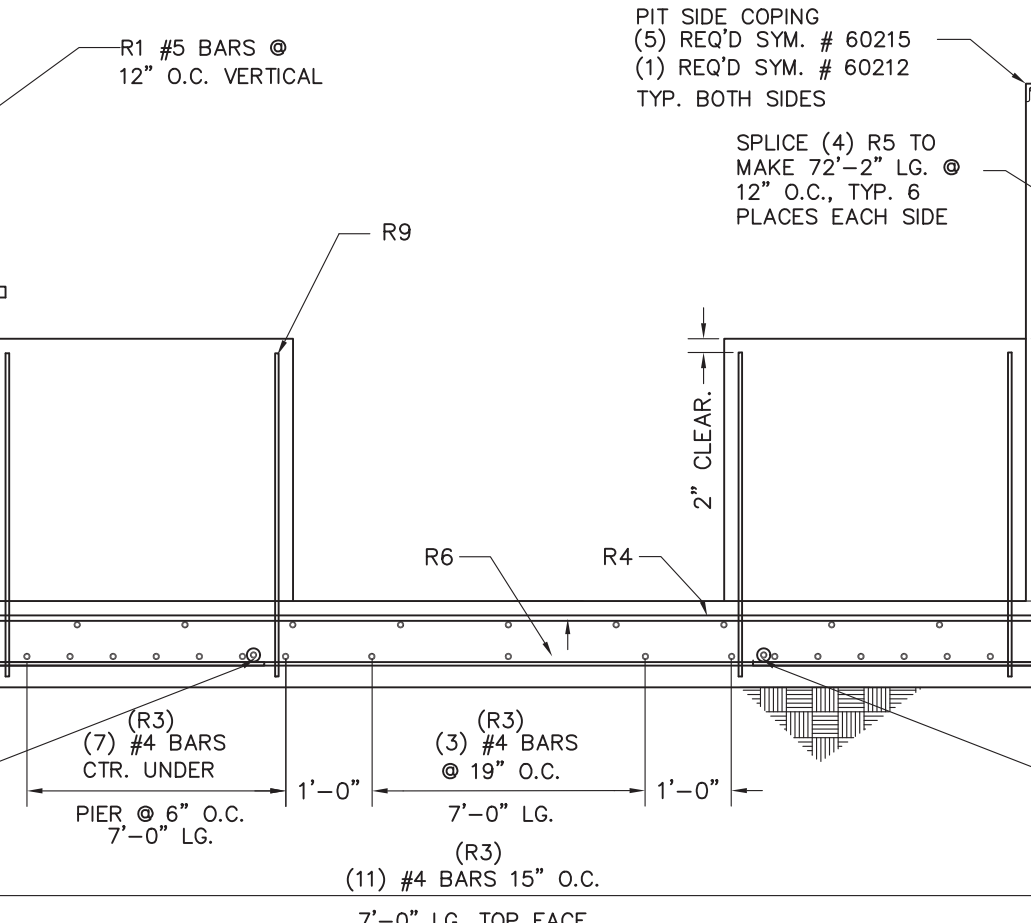
DRILLED-IN-PLACE WEDGE TYPE BOLTS (20) 5/8" X 6" BOLTS ARE SUPPLIED BY FAIRBANKS. BOLTS SHOULD PROJECT 2 1/2". SEE GENERAL NOTE #12.

NOTE: PROVIDE MEANS SO THAT ADEQUATE DRAINAGE FOR THE PIT EXISTS. DRAIN TO A GRAVITY DRAIN, OR SUMP PUMP TO INSURE THAT STANDING WATER CANNOT ACCUMULATE IN PIT.

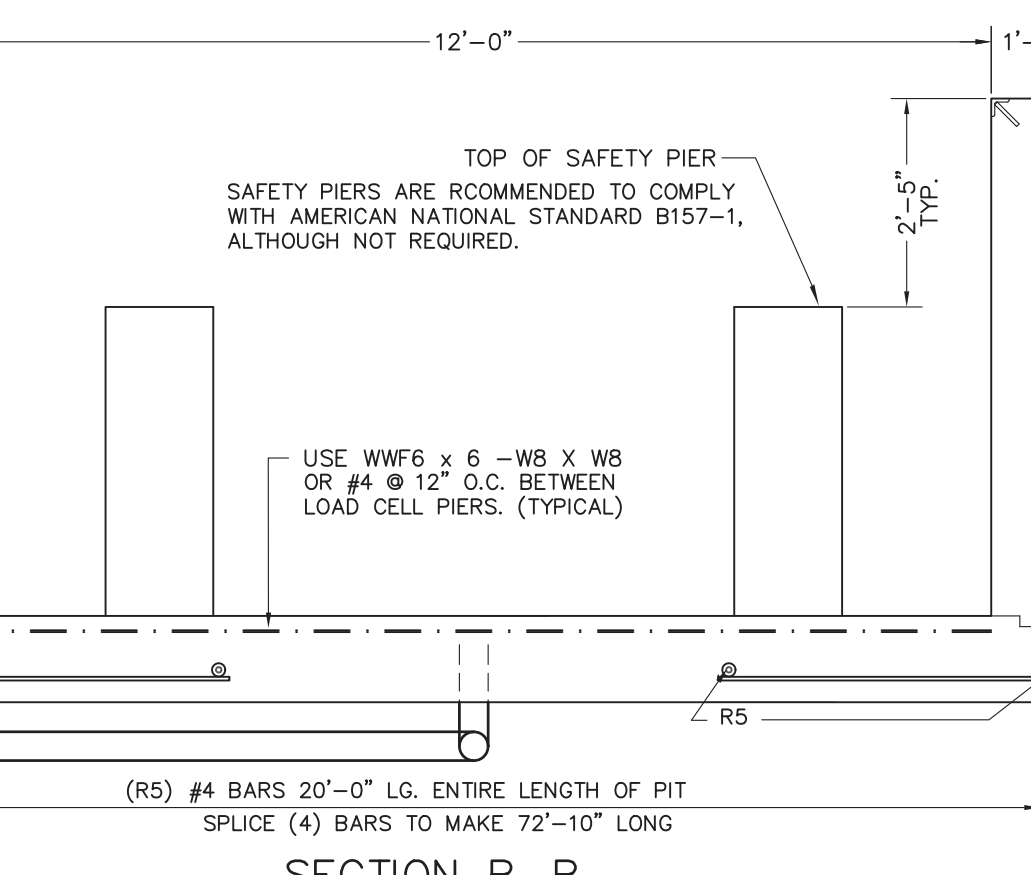
PLACE GROUND RODS NEAR CENTER OF SCALE PIT. TIE GROUND RODS TO SLAB REBAR MAKING SURE IT PROTRUDES 4" ABOVE FLOOR AFTER POURING TWO PASSES. (SEE SCHEDULE FOR OPTIONAL SURGE VOLTAGE PROTECTION SYSTEM. REFER TO INSTRUCTION MANUAL SJ3560 FOR MORE INFORMATION ON THIS ACCESSORY. A GROUND ROD SHOULD BE PROVIDED IN THE PIT REGARDLESS IF THE SURGE VOLTAGE PROTECTION GROUP IS SELECTED OR NOT.

WWF 6 x 6 - W8 X W8 OR EQUAL BETWEEN LOAD CELL PIERS

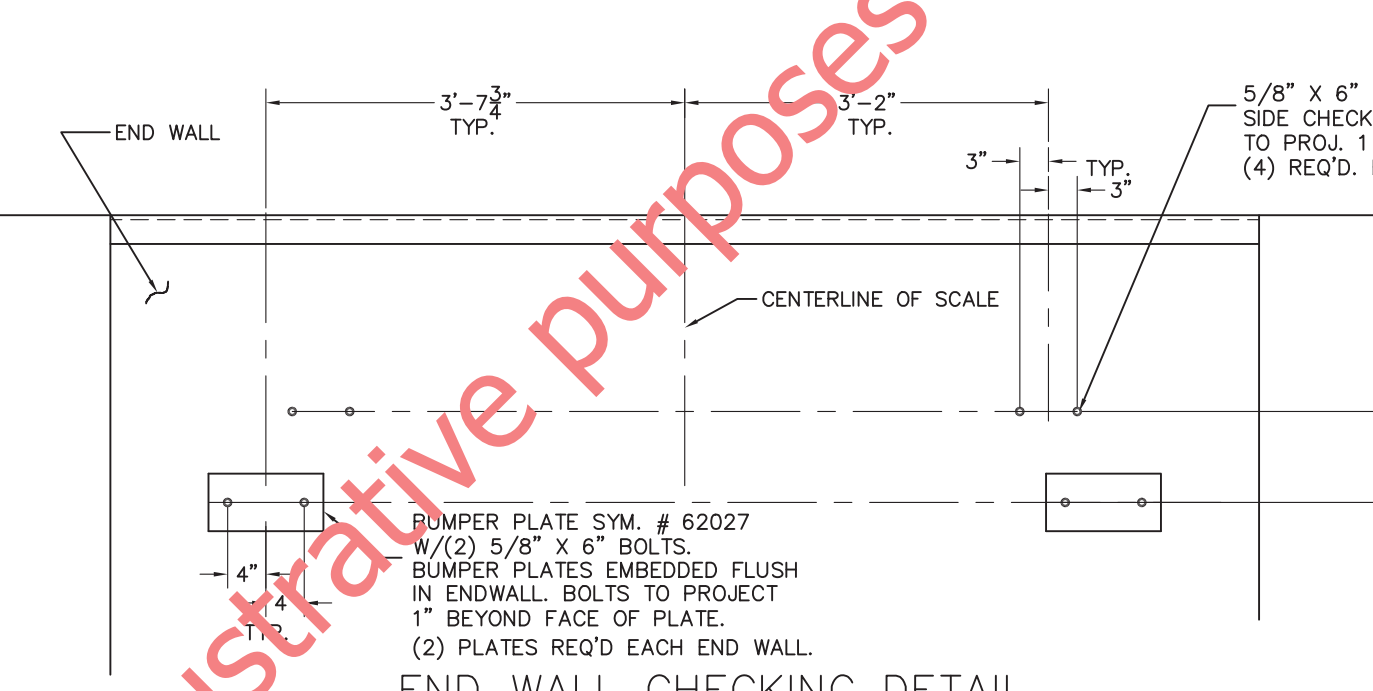
PROVIDE A MINIMUM OF 6" FREE DRAINING GRAVEL UNDER ENTIRE SLAB AND PROVIDE ADEQUATE DRAINAGE TO PREVENT FREEZING.



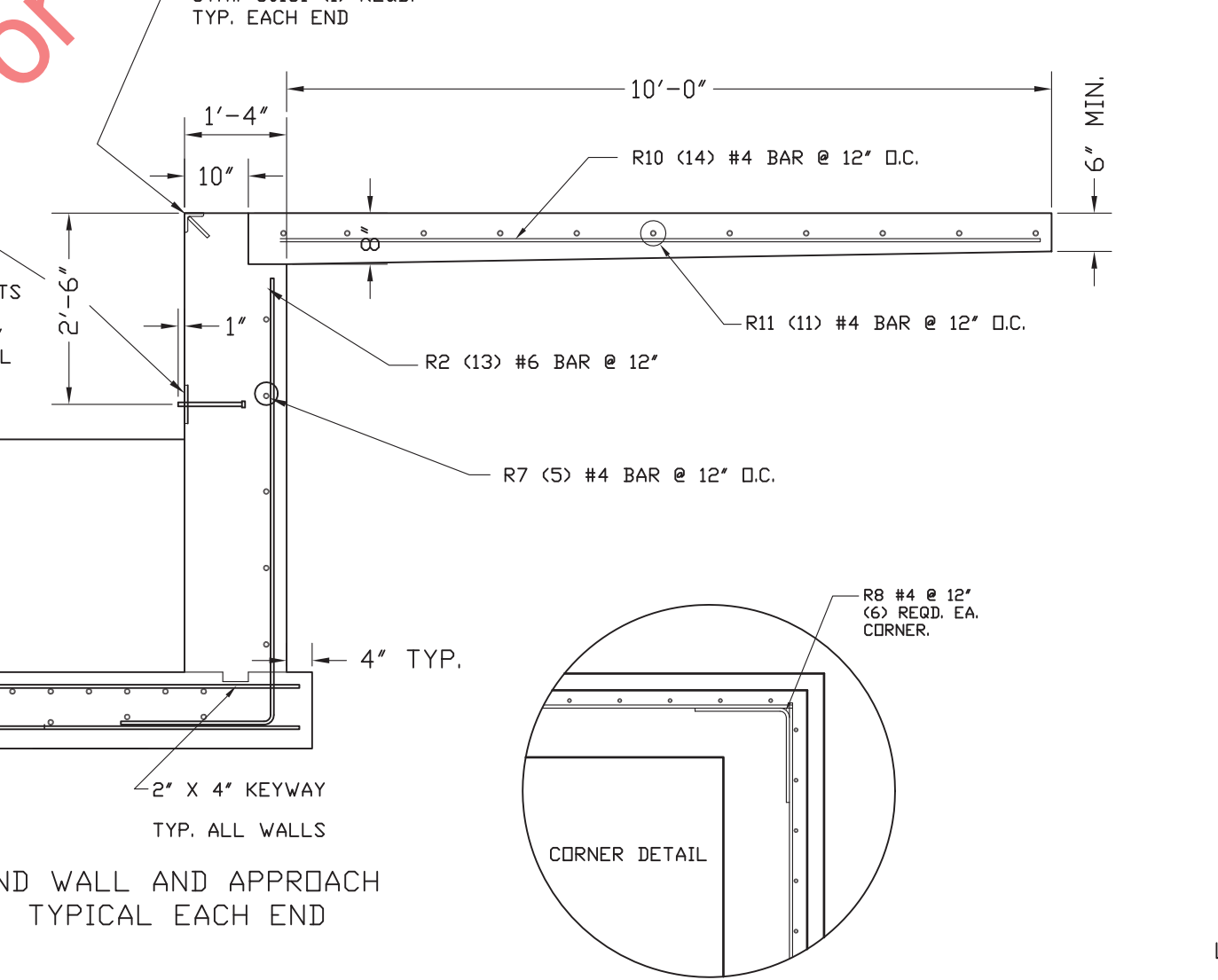
SECTION A-A TYPICAL (5) PLACES



SECTION B-B



END WALL CHECKING DETAIL



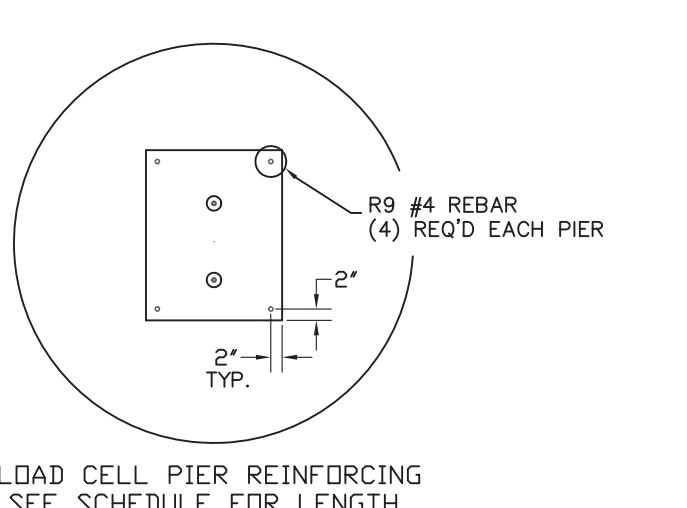
END WALL AND APPROACH TYPICAL EACH END

REINFORCING BAR SCHEDULE					
SYM.	QTY.	SIZE	LENGTH	BENDING	WEIGHT
R1	144	#6	10'-6"	6'-6" 4'-0"	1,577
R2	26	#6	7'-9"	5'-9" 2'-0"	225
R3	140	#4	7'-0"	7'-0"	655
R4	45	#6	14'-2"	14'-2"	958
R5	64	#4	20'-0"	20'-0"	855
R6	25	#4	14'-2"	14'-2"	237
R7	10	#4	13'-6"	13'-6"	90
R8	24	#4	4'-0"	2'-0" 2'-0"	64
R9	104	#4	3'-6"	3'-6"	243
REINFORCING BAR SCHEDULE FOR APPROACHES					
R10	28	#4	10'-0"	10'-0"	187
R11	22	#4	13'-6"	13'-6"	198
TOTAL					5,289

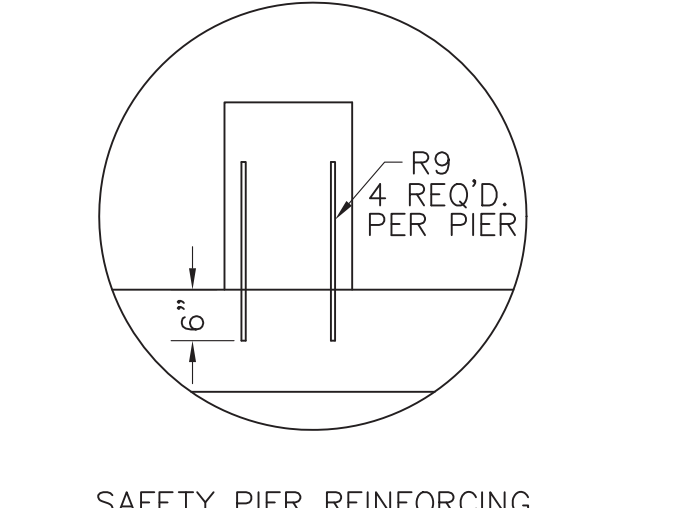
PLUS APPROX. 620 SQUARE FEET OF WWF 6 x 6 - W8 X W8

APPROX. EXCAVATION QTY = 383 CU. YDS. (BASED ON 2'-0" CLEARANCE AROUND SIDE OF PIT)

APPROX. CONCRETE REQ'D.
 SLAB/PIERS 49 CU. YDS.
 WALLS 35 CU. YDS.
 APPROACHES 6 CU. YDS.
 TOTAL W/O SAFETY PIERS 90 CU. YDS.
 TOTAL W/ SAFETY PIERS 93 CU. YDS.



LOAD CELL PIER REINFORCING SEE SCHEDULE FOR LENGTH



SAFETY PIER REINFORCING

- GENERAL NOTES
- EXCAVATION, FOUNDATION FORMS, REBARS, AND CONCRETE IS TO BE FURNISHED BY CONTRACTOR OR CUSTOMER.
 - REINFORCING BARS ARE TO EQUAL ASTM A615, GRADE 50 OR 60. BEND BARS COLD TO CONFORM WITH REQUIRED DETAILS. REMOVE SCALE, LOOSE FLAKY RUST, DIRT, AND OTHER COATING THAT WOULD IMPAIR BONDING. SPACE BARS PROPERLY AND TIE SECURELY IN POSITION BEFORE PLACING CONCRETE. TACK WELDING TO KEEP REINFORCING IN PLACE IS NOT PERMITTED.
 - MATERIAL AND WORKMANSHIP TO BE IN ACCORDANCE WITH CURRENT AMERICAN CONCRETE INSTITUTE (ACI) CODE REQUIREMENTS. ALL CONCRETE TO BE A MINIMUM OF 3000 P.S.I. @ 28 DAYS.
 - 1500 P.S.F. MINIMUM SOIL BEARING CAPACITY IS REQUIRED. THE DESIGN IS ADEQUATE FOR HIGHWAY SURCHARGE OR 300 P.S.F. ADJACENT TO PIT WALLS.
 - REFER TO SJ MANUAL 3884 FOR MORE DETAILED INSTRUCTIONS ON PIT CONSTRUCTION RECOMMENDATIONS.
 - WORK FROM CENTERLINES WHEN ERECTING FORMS AND PLACING FOUNDATION BOLTS. PLACE BOLTS TO WITHIN 1/4" OF POSITIONS INDICATED ON DRAWINGS. (BOLTS MUST BE PLACED WITHIN 1/4" OF TOTAL DIMENSIONS FROM CENTERLINE OF SCALE.)
 - FOR SETTING PLAN, SEE DRAWING D91378-SP.
 - CLEARANCE DIMENSION FOR BOTTOM OF MAIN GIRDER TO PIT FLOOR IS 45".
 - VARIOUS STATE WEIGHTS AND MEASURES AUTHORITIES HAVE REGULATIONS, PARTICULARLY IN REGARD TO PIT DEPTH AND APPROACHES, AFFECTING PIT AND INSTALLATION. THE PIT CONTRACTOR IS RESPONSIBLE TO VERIFY THAT THIS PLAN AND INSTALLATION MEETS LOCAL MINIMUM REQUIREMENTS. FOR ASSISTANCE, CONTACT NEAREST FAIRBANKS SCALE OFFICE.
 - SOME STATES REQUIRE THAT CONCRETE PIERS BE POUR MONOLITHIC WITH SIDE WALLS. (RECOMMENDED METHOD)
 - SUITABLE CONDUIT FOR LOW VOLTAGE CONDUCTOR SHIELDED CABLE MUST PASS THRU THE PIT WALL AT ANY POINT ABOVE PIER TOPS THAT IS CONVENIENT. CONDUIT MUST EXTEND BEYOND PIT WALL A MINIMUM OF 2'. FOR RUNS OF CONDUIT UP TO 50'-0" IN LENGTH, USE 1 1/2" CONDUIT. AVOID RUNNING CABLE IN CLOSE PROXIMITY TO HIGH VOLTAGE LINES. IF AS IS REQUIRED IN PIT, IT SHALL NOT RUN CLOSER THAN 24" IN PARALLEL TO ANY CELL CABLE.
 - CAST-IN-PLACE ANCHOR BOLTS ARE NOT REQUIRED AT PIERS, BUT ARE REQUIRED IN THE END WALLS FOR CHECKING SYSTEM.
 - TOPS OF ALL PIERS MARKED "A" OR "B" MUST BE SMOOTH, FLAT, AND LEVEL FOR LOADCELL BASE PLATES TO BEAR PROPERLY.

LET BY	DATE	REVISION	FAIRBANKS SCALES	
			Meridian, Mississippi	
			70' X 12' REINFORCED PIT	
			5-SECTION FULL ELECTRONIC	
			CAP. 100 TON 70K CLC	
			PLT-2600RC-5M2	
			DATE	MATERIAL
			4/16/02	STATE OF WISC
			SCALE	SHEET
			N/A	1 OF 1
			DRAWN BY	CHECKED BY
			CB	
			APPROVED BY	
				D91390-RP6-WI