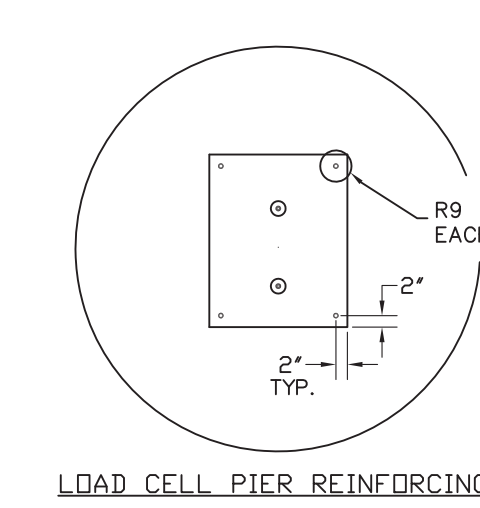
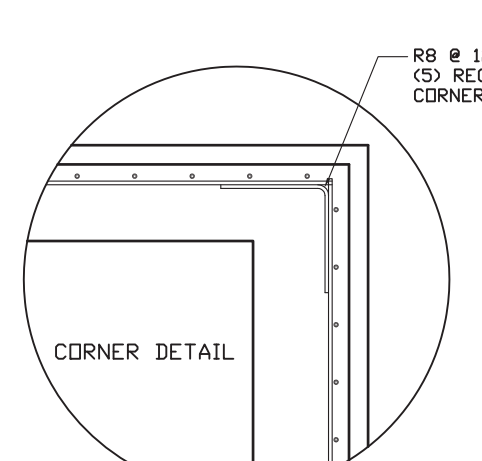


APPROX. EXCAVATION QTY = 385 CU. YDS. (BASED ON 2'-0" CLEARANCE AROUND SIDE OF PIT)

REINFORCING BAR SCHEDULE					
SYM.	QTY.	SIZE	LENGTH	BENDING	WEIGHT
R1	162	#5	9'-7"	6'-7"   3'-0"	1619
R2	22	#6	7'-10"	5'-10"   24"	259
R3	88	#4	7'-0"	7'-0"	411
R4	36	#6	12'-2"	12'-2"	658
R5	64	#4	20'-0"	20'-0"	855
R6	20	#4	12'-2"	12'-2"	163
R7	26	#4	11'-6"	11'-6"	200
R8	20	#4	4'-0"	2'-0"   2'-0"	53
R9	32	#4	1'-6"	1'-6"	77
R10	48	#4	3'-11"	3'-11"	126
REINFORCING BAR SCHEDULE FOR APPROACHES					
R11	22	#4	10'-0"	10'-0"	147
R12	22	#4	11'-8"	11'-8"	171
TOTAL					4739

PLUS APPROX. 828 SQUARE FEET OF WWF 6 x 6 - W8 x W8

APPROX. CONCRETE REQ'D.	
SLAB/PIERS	45 CU. YDS.
WALLS	43 CU. YDS.
APPROACHES	5 CU. YDS.
TOTAL W/O SAFETY PIERS	93 CU. YDS.
TOTAL W/ SAFETY PIERS	95 CU. YDS.



- GENERAL NOTES
- EXCAVATION, FOUNDATION FORMS, REBARS, AND CONCRETE IS TO BE FURNISHED BY CONTRACTOR OR CUSTOMER.
  - REINFORCING BARS ARE TO EQUAL ASTM A615, GRADE 50 OR 60. BEND BARS COLD TO CONFORM WITH REQUIRED DETAILS. REMOVE SCALE, LOOSE FLAKY RUST, DIRT, AND OTHER COATING THAT WOULD IMPAIR BONDING. SPACE BARS PROPERLY AND TIE SECURELY IN POSITION BEFORE PLACING CONCRETE. TACK WELDING TO KEEP REINFORCING IN PLACE IS NOT PERMITTED.
  - MATERIAL AND WORKMANSHIP TO BE IN ACCORDANCE WITH CURRENT AMERICAN CONCRETE INSTITUTE (ACI) CODE REQUIREMENTS. ALL CONCRETE TO BE A MINIMUM OF 3000 P.S.I. @ 28 DAYS.
  - 1500 P.S.F. MINIMUM SOIL BEARING CAPACITY IS REQUIRED. THE DESIGN IS ADEQUATE FOR HIGHWAY SURCHARGE OR 300 P.S.F. ADJACENT TO PIT WALLS.
  - REFER TO SJ MANUAL 3884 FOR MORE DETAILED INSTRUCTIONS ON PIT CONSTRUCTION RECOMMENDATIONS.
  - WORK FROM CENTERLINES WHEN ERECTING FORMS AND PLACING FOUNDATION BOLTS. PLACE BOLTS TO WITHIN ±1/8" OF POSITIONS INDICATED ON DRAWINGS. (BOLTS MUST BE PLACED WITHIN ±1/8" OF TOTAL DIMENSIONS FROM CENTERLINE OF SCALE.)
  - FOR SETTING PLAN, SEE DRAWING D91367-SP.
  - CLEARANCE DIMENSION FOR BOTTOM OF MAIN GIRDER TO PIT FLOOR IS 44 7/8".
  - VARIOUS STATE WEIGHTS AND MEASURES AUTHORITIES HAVE REGULATIONS, PARTICULARLY IN REGARD TO PIT DEPTH AND APPROACHES, AFFECTING PIT AND INSTALLATION. THE PIT CONTRACTOR IS RESPONSIBLE TO VERIFY THAT THIS PLAN AND INSTALLATION MEETS LOCAL MINIMUM REQUIREMENTS. FOR ASSISTANCE, CONTACT NEAREST FAIRBANKS SCALE OFFICE.
  - SOME STATES REQUIRE THAT CONCRETE PIERS BE POUR MONOLITHIC WITH SIDE WALLS. (RECOMMENDED METHOD)
  - SUITABLE CONDUIT FOR LOW VOLTAGE CONDUCTOR SHIELDED CABLE MUST PASS THRU THE PIT WALL AT ANY POINT ABOVE PIER TDPS THAT IS CONVENIENT. CONDUIT MUST EXTEND BEYOND PIT WALL A MINIMUM OF 2'. FOR RUNS OF CONDUIT UP TO 50'-0" IN LENGTH, USE 1 1/2" CONDUIT. AVOID RUNNING CABLE IN CLOSE PROXIMITY TO HIGH VOLTAGE LINES. IF AS IS REQUIRED IN PIT, IT SHALL NOT RUN CLOSER THAN 24" IN PARALLEL TO ANY CELL CABLE.
  - CAST-IN-PLACE ANCHOR BOLTS ARE NOT REQUIRED AT PIERS, BUT ARE REQUIRED IN THE END WALLS FOR CHECKING SYSTEM.
  - TDPS OF ALL PIERS MARKED 'A' OR 'B' MUST BE SMOOTH, FLAT, AND LEVEL FOR LOADCELL BASE PLATES TO BEAR PROPERLY.

LET	BY	DATE	REVISION
			MADE FROM D91367-RP4

FAIRBANKS SCALES	
Meridian, Mississippi	
80' X 10' REINFORCED PIT	
4-SECTION FULL ELECTRONIC	
CAP. 75 TON 45K CLC	
PLT-2600RC-200	
date	2/6/01
scale	N/A
sheet	1 of 1
drawn by	BB
6' DEEP PIT	
checked by	
approved by	D91367-RP6