

For illustrative purposes ONLY - NOT for construction!

REINFORCING BAR SCHEDULE					
EXCEPT AS NOTED SECTION B-B AND THE ELEVATION VIEW					
SYM.	QTY.	SIZE	LENGTH	BENDING	WEIGHT
R1	162	#4	8'-0"	1'-0" 4'-0"	866
R3	124	#4	7'-0"	-0"	580
R4	36	#6	12'-10"	12'-10"	694
R5	48	#4	20'-0"	20'-0"	641
R6	20	#4	12'-10"	12'-10"	171
TOTAL					2952

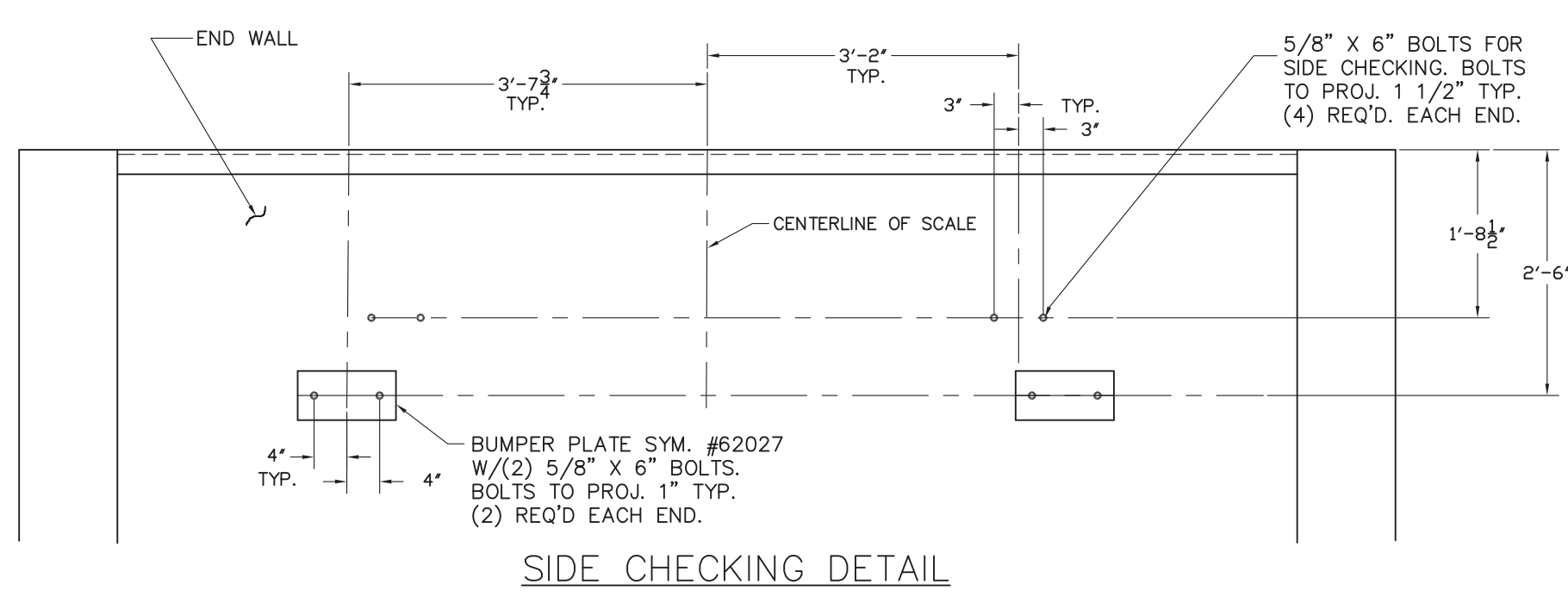
PLUS APPROX. 834 SQUARE FEET OF W8 X W8, 6" X 6" WIRE FABRIC

ALSO SEE REINFORCING BAR & WIRE FABRIC FOR APPROACHES

- GENERAL NOTES:**
- EXCAVATION, FOUNDATION FORMS, REBARS, AND CONCRETE IS TO BE FURNISHED BY CONTRACTOR OR CUSTOMER.
  - REINFORCING BARS ARE TO EQUAL ASTM A615, GRADE 40 OR 60. BEND BARS COLD TO CONFORM WITH REQUIRED DETAILS. REMOVE SCALE, LOOSE FLAKY RUST, DIRT, AND OTHER COATINGS THAT WOULD IMPAIR BONDING. SPACE BARS PROPERLY AND TIE SECURELY IN POSITION BEFORE PLACING CONCRETE. TACK WELDING TO KEEP REINFORCING IN PLACE IS NOT PERMITTED.
  - MATERIAL AND WORKMANSHIP TO BE IN ACCORDANCE WITH CURRENT AMERICAN CONCRETE INSTITUTE (ACI) CODE REQUIREMENTS. ALL CONCRETE TO BE A MINIMUM OF 2000 P.S.I. @ 28 DAYS.
  - 1500 P.S.F. MINIMUM SOIL BEARING CAPACITY IS REQUIRED. THE DESIGN IS ADEQUATE FOR A HIGHWAY SURCHARGE OF 300 P.S.F. ADJACENT TO PIT WALLS.
  - REFER TO SJ MANUAL 3884 FOR MORE DETAILED INSTRUCTIONS ON PIT CONSTRUCTION RECOMMENDATIONS.
  - WORK FROM CENTERLINES WHEN ERECTING FORMS AND PLACING FOUNDATION BOLTS. PLACE BOLTS TO WITHIN  $\pm 1/8"$  OF POSITIONS INDICATED ON DRAWING. (BOLTS MUST BE PLACED WITHIN  $\pm 1/8"$  OF TOTAL DIMENSIONS FROM CENTERLINE OF SCALE.)
  - FOR SETTING PLAN, SEE DRAWING D91531-SP.
  - WHERE PIT FLOOR IS POURED SOLID, SUMPS, INTERCONNECTED BY 2" PVC PIPES, SHALL BE INSTALLED AT LOCATIONS INDICATED. SUMPS SHALL BE 20" DIA. X 20" DEPTH WITH CONCRETE BOTTOM. THE PIT FLOOR SHALL SLOPE 1" FROM 4 DIRECTIONS TOWARD EACH SUMP. SUMP PUMP DISCHARGE SHALL TERMINATE WITH 2" FEMALE PIPE COUPLING JUST OUTSIDE THE PIT WALL. DUPLEX RECEPTACLE (WEATHER PROOF) WITH 115V AC, SINGLE PHASE, 20 AMP, AND GROUND-FAULT PROTECTION IS REQUIRED FOR SUMP PUMP ELECTRICAL SERVICE AND SHALL BE FURNISHED BY OTHERS.
  - VARIOUS STATE WEIGHTS & MEASURES AUTHORITIES HAVE REGULATIONS, PARTICULARLY IN REGARD TO PIT DEPTH AND APPROACHES, AFFECTING PIT AND INSTALLATION. THE PIT CONTRACTOR IS RESPONSIBLE TO VERIFY THAT THIS PLAN AND INSTALLATION MEETS LOCAL MINIMUM REQUIREMENTS. FOR ASSISTANCE CONTACT NEAREST FAIRBANKS SCALES OFFICE.
  - SUITABLE CONDUIT FOR LOW VOLTAGE CONDUCTOR SHIELDED CABLE MUST PASS THRU THE PIT WALL AT ANY POINT ABOVE PIER TOPS THAT IS CONVENIENT. CONDUIT MUST EXTEND BEYOND PIT WALL A MINIMUM OF 2". FOR RUNS OF CONDUIT UP TO 50'-0" IN LENGTH, USE 1 1/2" CONDUIT. AVOID RUNNING CABLE IN CLOSE PROXIMITY TO HIGH VOLTAGE LINES. IF AC IS REQUIRED IN PIT, IT SHALL NOT RUN CLOSER THEN 24" IN PARALLEL TO ANY LOAD CELL CABLE.
  - CAST-IN-PLACE ANCHOR BOLTS ARE NOT REQUIRED AT PIERS, BUT ARE REQUIRED IN THE END WALLS FOR CHECKING SYSTEM.
  - TOPS OF ALL PIERS MARKED "A" OR "B" MUST BE SMOOTH, FLAT, AND LEVEL FOR LOADCELL BASE PLATES TO BEAR PROPERLY.

APPROX. CONCRETE REQ'D.	
SLAB/PIERS	48 CU. YDS.
WALLS	17 CU. YDS.
APPROACHES	7 CU. YDS.
TOTAL W/O SAFETY PIERS	72 CU. YDS.
TOTAL W/ SAFETY PIERS	73 CU. YDS.

APPROX. EXCAVATION QTY = 276 CU. YDS. (BASED ON 2'-0" CLEARANCE AROUND SIDE OF PIT)



LET	BY	DATE	REVISION

<b>FAIRBANKS SCALES</b>	
Meridian, Mississippi	
80' X 12' REINFORCED PIT	
4-SECTIONS FULL ELECTRONIC	
CAP. 100 TON 45K CLC	
PLT-2600RC-202	
date	material
1/20/00	
scale	sheet
N/A	1 of 1
drawn by	SLS
checked by	
approved by	D91531-RP4-CA

The material and information contained herein is confidential and is the property of Fairbanks Scales and is not to be used, disclosed, copied, transferred or reproduced without the prior written permission of Fairbanks.

Unless otherwise specified dimensions are in inches. Tolerances: Fractions: 1/8" Angles: 1° 3 place decimals 2 Place decimals Hole diameters: +1/32"