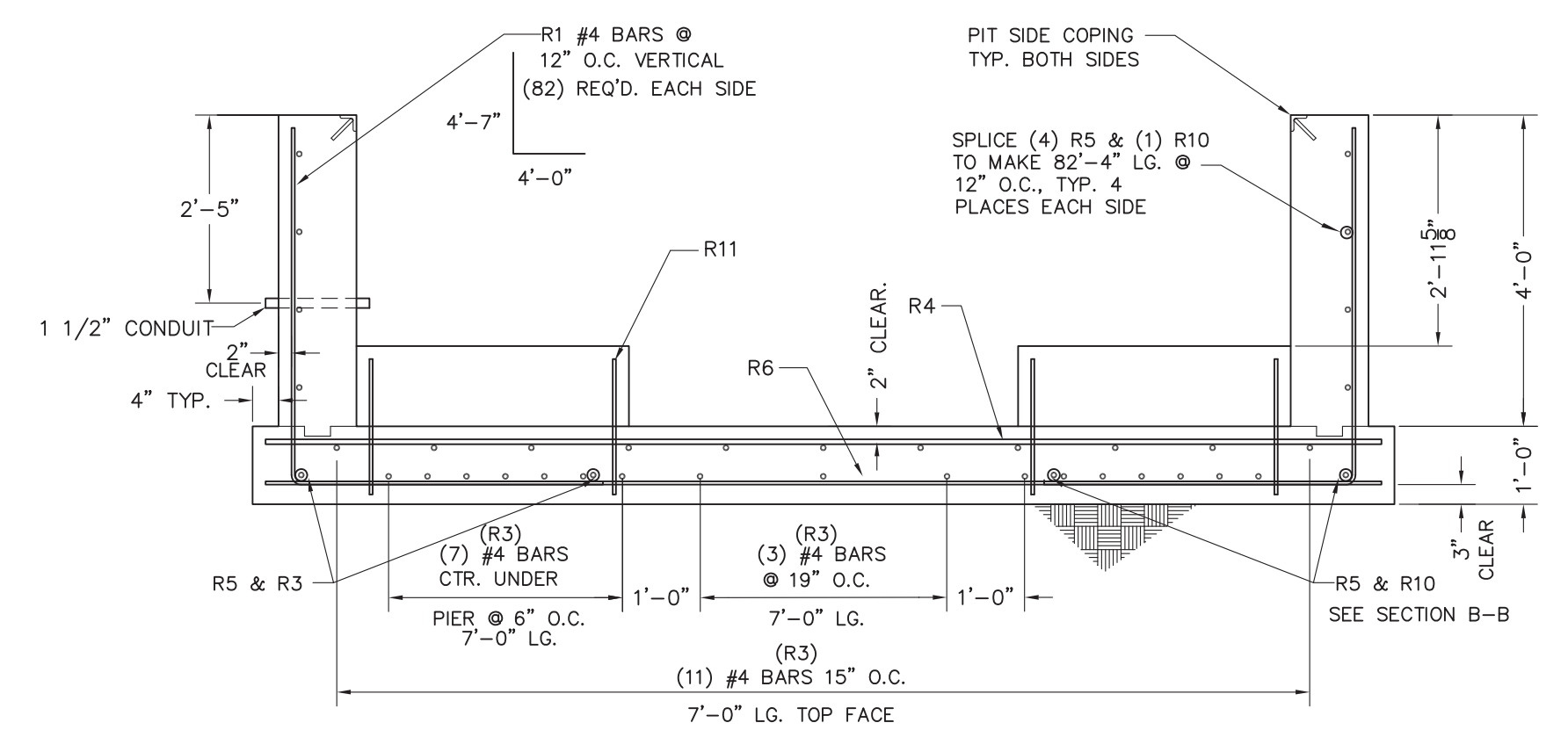
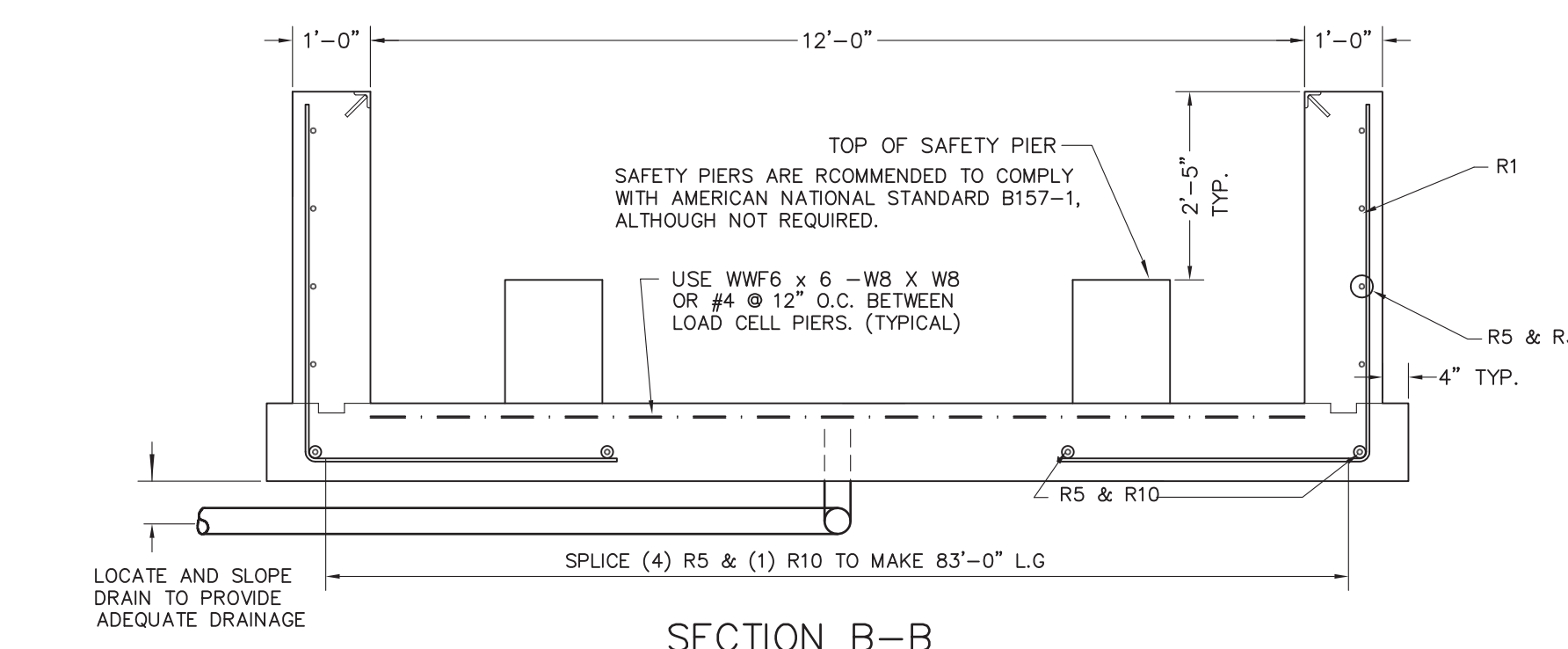


APPROX. EXCAVATION QTY = 318 CU. YDS. (BASED ON 2'-0" CLEARANCE AROUND SIDE OF PIT)

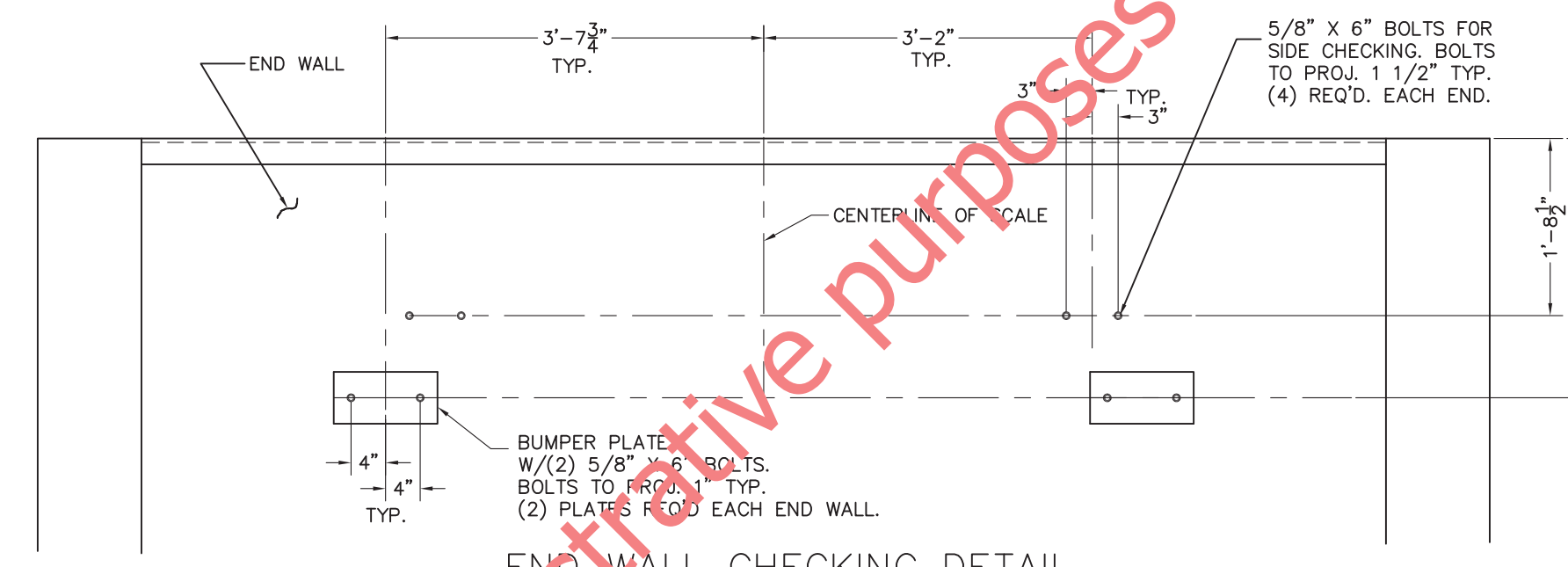
APPROX. CONCRETE REQ'D.	
SLAB/PIERS	48 CU. YDS.
WALLS	29 CU. YDS.
APPROACHES	6 CU. YDS.
TOTAL W/O SAFETY PIERS	83 CU. YDS.
TOTAL W/ SAFETY PIERS	84 CU. YDS.



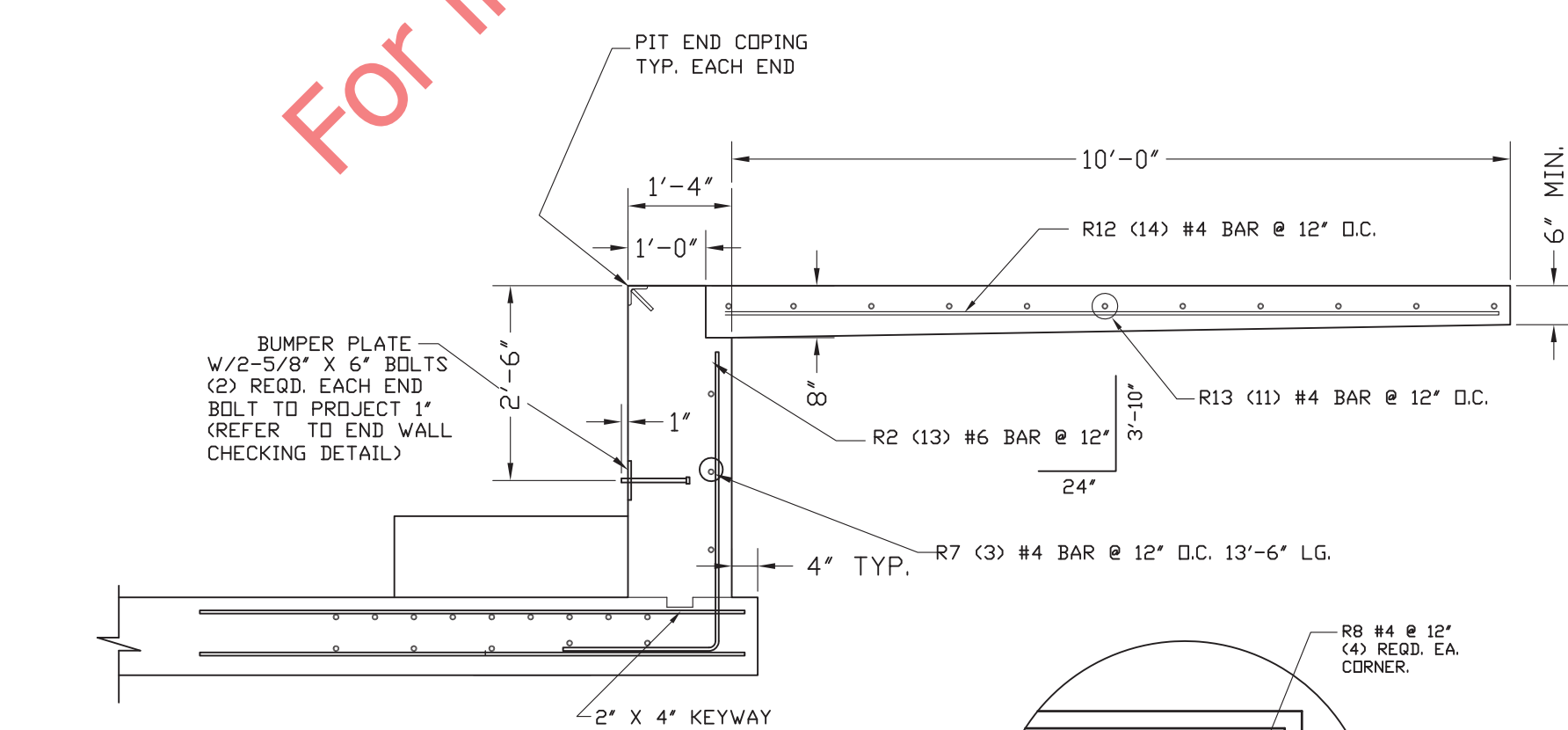
SECTION A-A
TYPICAL (4) PLACES



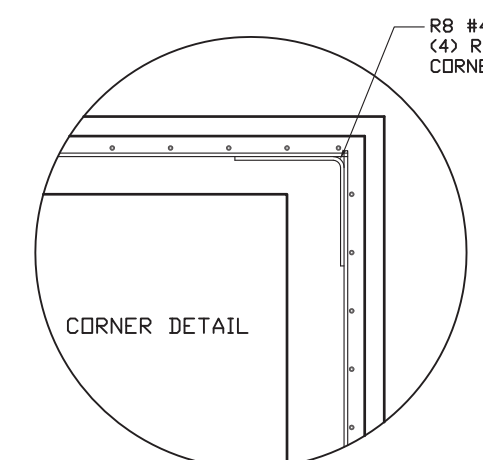
SECTION B-B



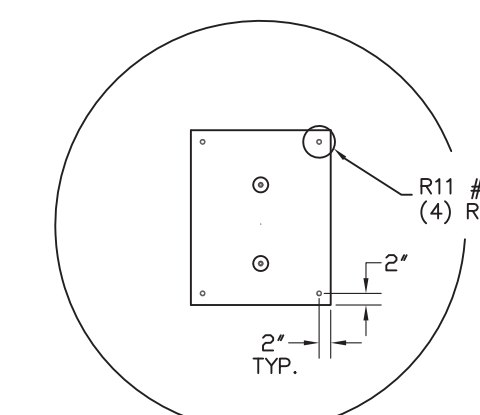
END WALL CHECKING DETAIL



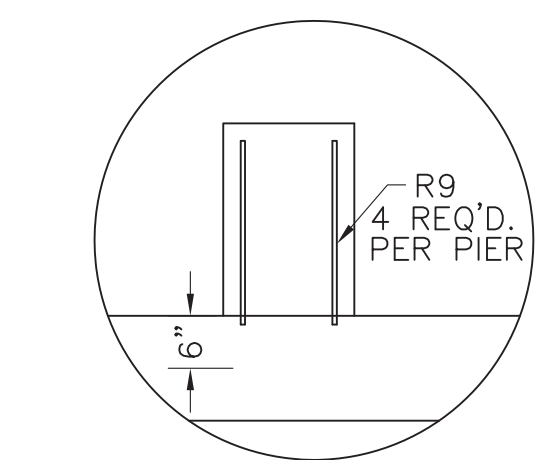
END WALL AND APPROACH (TYPICAL EACH END)



CORNER DETAIL



LOAD CELL PIER REINFORCING
SEE SCHEDULE FOR LENGTH



SAFETY PIER REINFORCING

- GENERAL NOTES
- EXCAVATION, FOUNDATION FORMS, REBARS, AND CONCRETE IS TO BE FURNISHED BY CONTRACTOR OR CUSTOMER.
 - REINFORCING BARS ARE TO EQUAL ASTM A615, GRADE 50 OR 60. BEND BARS COLD TO CONFORM WITH REQUIRED DETAILS. REMOVE SCALE, LOOSE FLAKY RUST, DIRT, AND OTHER COATING THAT WOULD IMPAIR BONDING. SPACE BARS PROPERLY AND TIE SECURELY IN POSITION BEFORE PLACING CONCRETE. TACK WELDING TO KEEP REINFORCING IN PLACE IS NOT PERMITTED.
 - MATERIAL AND WORKMANSHIP TO BE IN ACCORDANCE WITH CURRENT AMERICAN CONCRETE INSTITUTE (ACI) CODE REQUIREMENTS. ALL CONCRETE TO BE A MINIMUM OF 3000 P.S.I. @ 28 DAYS.
 - 1500 P.S.F. MINIMUM SOIL BEARING CAPACITY IS REQUIRED. THE DESIGN IS ADEQUATE FOR HIGHWAY SURCHARGE OR 300 P.S.F. ADJACENT TO PIT WALLS.
 - REFER TO SJ MANUAL 3884 FOR MORE DETAILED INSTRUCTIONS ON PIT CONSTRUCTION RECOMMENDATIONS.
 - WORK FROM CENTERLINES WHEN ERECTING FORMS AND PLACING FOUNDATION BOLTS. PLACE BOLTS TO WITHIN $\pm 1/8$ " OF POSITIONS INDICATED ON DRAWINGS. (BOLTS MUST BE PLACED WITHIN $\pm 1/8$ " OF TOTAL DIMENSIONS FROM CENTERLINE OF SCALE.)
 - FOR SETTING PLAN, SEE DRAWING D91531-SP.
 - CLEARANCE DIMENSION FOR BOTTOM OF MAIN GIRDER TO PIT FLOOR IS 20 7/8".
 - VARIOUS STATE WEIGHTS AND MEASURES AUTHORITIES HAVE REGULATIONS, PARTICULARLY IN REGARD TO PIT DEPTH AND APPROACHES, AFFECTING PIT AND INSTALLATION. THE PIT CONTRACTOR IS RESPONSIBLE TO VERIFY THAT THIS PLAN AND INSTALLATION MEETS LOCAL MINIMUM REQUIREMENTS. FOR ASSISTANCE, CONTACT NEAREST FAIRBANKS SCALE OFFICE.
 - SOME STATES REQUIRE THAT CONCRETE PIERS BE POUR MONOLITHIC WITH SIDE WALLS. (RECOMMENDED METHOD)
 - SUITABLE CONDUIT FOR LOW VOLTAGE CONDUCTOR SHIELDED CABLE MUST PASS THRU THE PIT WALL AT ANY POINT ABOVE PIER TOPS THAT IS CONVENIENT. CONDUIT MUST EXTEND BEYOND PIT WALL A MINIMUM OF 2'. FOR RUNS OF CONDUIT UP TO 50'-0" IN LENGTH, USE 1 1/2" CONDUIT. AVOID RUNNING CABLE IN CLOSE PROXIMITY TO HIGH VOLTAGE LINES. IF AS IS REQUIRED IN PIT, IT SHALL NOT RUN CLOSER THAN 24" IN PARALLEL TO ANY CELL CABLE.
 - CAST-IN-PLACE ANCHOR BOLTS ARE NOT REQUIRED AT PIERS, BUT ARE REQUIRED IN THE END WALLS FOR CHECKING SYSTEM.
 - TOPS OF ALL PIERS MARKED "A" OR "B" MUST BE SMOOTH, FLAT, AND LEVEL FOR LOADCELL BASE PLATES TO BEAR PROPERLY.

REINFORCING BAR SCHEDULE				
SYM.	QTY.	SIZE	LENGTH	WEIGHT
R1	164	#4	8'-7"	940
R2	26	#6	5'-10"	228
R3	112	#4	7'-0"	524
R4	36	#6	14'-2"	767
R5	48	#4	20'-0"	641
R6	20	#4	14'-2"	189
R7	6	#4	13'-6"	54
R8	16	#4	4'-0"	43
R9	48	#4	1'-11"	61
R10	12	#4	10'-0"	80
R11	32	#4	1'-7"	34
REINFORCING BAR SCHEDULE FOR APPROACHES				
R12	28	#4	9'-6"	178
R13	22	#4	13'-8"	201
TOTAL				3,940

PLUS APPROX. 774 SQUARE FEET OF WWF 6 x 6 - W8 x W8

LET	BY	DATE	REVISION
A	REC	04/25/01	REV. SECT AA REBAR FROM R9 TO R11
B	CB	9/12/02	REV. REBAR

FAIRBANKS SCALES
Meridian, Mississippi

80' X 12' REINFORCED PIT
4-SECTION FULL ELECTRONIC
CAP. 75 TON 45K CLC
PLT-2600RC-202

date: 12/23/99

scale: N/A
in. per ft. sheet 1 of 1

drawn by: SLS

4' DEEP PIT

checked by: _____
approved by: _____

D91531-RP4

The material and information contained herein is confidential and is the property of Fairbanks Scales and is not to be used, disclosed, copied, transferred or reproduced without the prior written permission of Fairbanks.

Unless otherwise specified, dimensions are in inches. Tolerances: Fractions: 1/8" Angles: 1/2" 3 place decimals: 2 place decimals Note: diameters: 1/32"

MATERIAL FINISH