

# FAIRBANKS® S C A L E S



## AEGIS® DRUM SCALE AND TRANSPORT SCALE

Built to weigh drums, pallets, totes and other industrial bulk products.

# Aegis® Drum Scale

Customize this scale with pillar, ramp(s) and instrument.

Fairbanks' Aegis® Drum Scale is not just for weighing drums. Its live side rails make it ideal for weighing a number of other industrial containers such as pallets, totes and bulk products. In fact, Fairbanks designed this scale with precision and a host of options to change your expectation of how a drum scale should

look and perform. Choose from two models, our classic Aegis Drum Scale or our Aegis Drum Scale with backstop. Both models come in two platform sizes, mild or stainless steel construction, and one of four capacities. Add ramps, a pillar, and a wheel kit as required to create your ideal configuration.

- **Stationary**
- **Live side rails**
- **Stainless steel load cells**
- **Low 1.5" profile**
- **NTEP and MC approved**

## Easy to Customize

Build an Aegis® Drum Scale to fit your specific application.



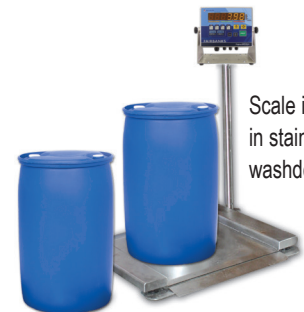
**1.** First, choose capacity, platform size, and mild or stainless steel construction.

**2.** Then add optional stand-alone pillar, ramp(s) or ramp with integral pillar and a Fairbanks instrument.

**3.** You can also opt for an Aegis® Drum Scale Wheel Kit.



Choose from a variety of Fairbanks Instruments to fit your specific application need. Shown with FB2255 Instrument.



Scale is available in stainless steel for washdown applications.

Shown with the Nexweigh Instrument.



Live side rails are ideal for weighing pallets, totes and other bulk products.

Fairbanks offers mild and stainless steel drum scales with built-in 2.4" tall backstop.



IP67-rated load cells come standard on all mild steel models. IP69K-rated load cells optional.



IP69K-rated load cells (standard on all stainless steel models) eliminate spill and washdown concerns.



Wheel Kit includes portability base and integral pillar with push handle. Aegis Drum Scale and instrument sold separately.





# Aegis® Transport Scale

*Portable accuracy for drum and general industrial weighing.*

[www.fairbanks.com](http://www.fairbanks.com)

Fairbanks' Aegis® Transport Scale's built-in, two-wheel design allows for easy portability — just tilt the scale back and move it to the next location. Combine the Transport with a Fairbanks battery-powered instrument for the most portable scale available.

Fairbanks' Aegis Transport design is totally unique to the drum scale market. You won't find another manufacturer's drum scale that can compete with the Transport's level of portability, rugged design and precise accuracy.

- **Portable**
- **Washdown option**
- **Live side rails**
- **Integrated pillar & ramp**
- **NTEP and MC approved**

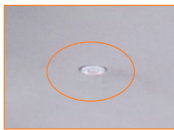
## Easy to Transport

Choose from a variety of Fairbanks Instruments to fit your specific application need.  
*Shown with 2800 Instrument.*

Easy grip handle with no-slip polyurethane coating.



Bubble level is located at the center of the weighing surface.



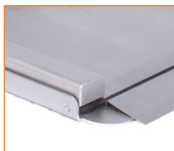
Washdown models feature drain hole and contiguous welds.



Large 8" diameter wheels with Polyolefin construction ensure smooth rolling action.



Low 1.5" platform height for easy load introduction.



Live side rail

Integral ramp



**Relocate the Aegis Transport Scale in three simple steps.**



**1.** Take hold of easy grip handle.

**2.** Use foot to leverage scale backward.

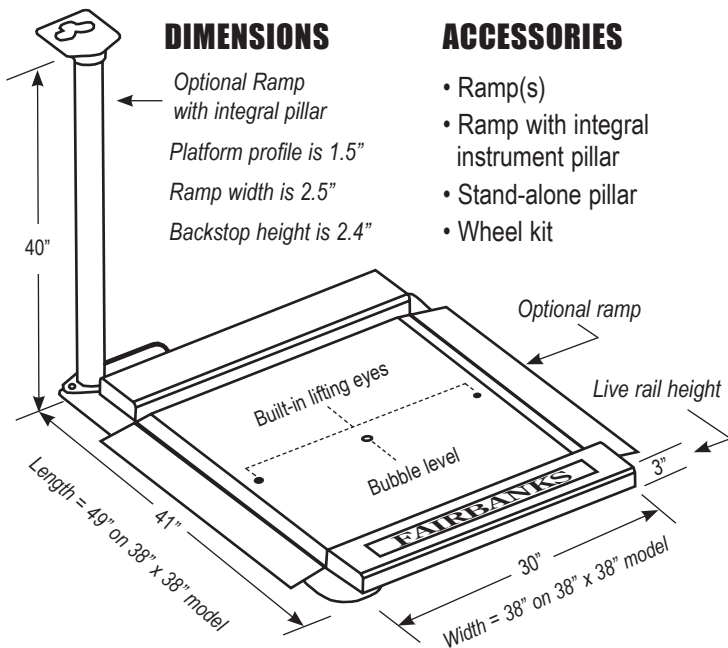


**3.** Scale easily rolls to desired location. Built-in break point prevents scale from rolling when lowering platform back to level.

# AEGIS® DRUM SCALE AND TRANSPORT SCALE

Weighing Solutions for the World since 1830

Fairbanks.com



## SPECIFICATIONS

### AEGIS® DRUM SCALE &

### AEGIS® DRUM SCALE WITH BACKSTOP

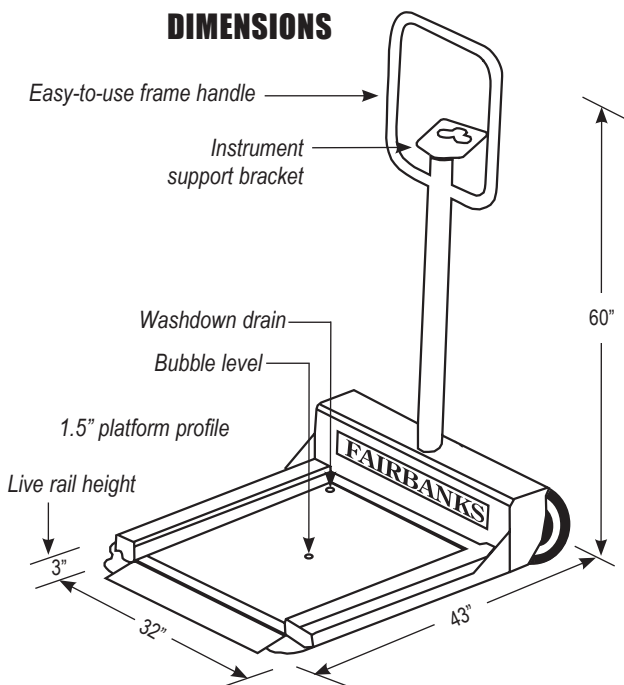
Capacities (lbs) . . . . .	500, 1,000, 2,000, 2,500
Platform	
Sizes . . . . .	30" x 30" and 38" x 38"
Height . . . . .	1.5" (3" live side rail)
Finish . . . . .	Smooth plate
Endloading . . . . .	100% of capacity all models except 2500 lb model, which is rated at 80%
Cable length . . . . .	Platform to instrument = 30 feet
Cable protection . . . . .	PVC jacketed
Construction . . . . .	Mild steel with black, powder coat finish; Type 304 PH stainless steel, brushed
Approvals . . . . .	NTEP CC# 08-044, MC #AM-5674

### AEGIS® TRANSPORT SCALE

Capacities (lbs) . . . . .	500, 1,000, 2,000, 2,500
Overall dimensions . . . . .	32" x 43" x 60"
Platform	
Size . . . . .	24" x 30"
Height . . . . .	1.5" (3" live side rail)
Finish . . . . .	Smooth plate
Endloading . . . . .	100% of capacity on all models except 2500 lb. capacity, which is rated at 80%
Cable length . . . . .	Platform to instrument = 30 feet
Cable protection . . . . .	PVC jacketed
Construction . . . . .	Mild steel with black, powder coat finish; Type 304 PH stainless steel, brushed
Accessories . . . . .	NEMA 4X J-box; intrinsically safe controller; IP69K load cells optional on mild steel scale
Approvals . . . . .	NTEP CC# 08-044, MC #AM-5674

### LOAD CELL (Drum & Transport Scale)

Capacities (lbs) . . . . .	500, 1,000, 2,000, 2,500
Excitation voltage . . . . .	5 to 15 VDC
Construction . . . . .	17-4 PH stainless steel
Sealing . . . . .	IP67 (mild steel scale) IP69K (stainless steel scale)
Approvals . . . . .	Factory Mutual NTEP CC# 06-065 (mild steel scale) NTEP CC# 04-102 (stainless steel scale)



Call toll-free for the representative nearest you:

**(800) 451-4107**

Call between 8:00 a.m. – 5:00 p.m. Central Time

Corporate Headquarters: 6800 W. 64th Street, Overland Park, Kansas 66202  
(816) 471-0231 Internet Address: <http://www.Fairbanks.com>

