

FAIRBANKS®

WEIGHING SOLUTIONS FOR THE WORLD



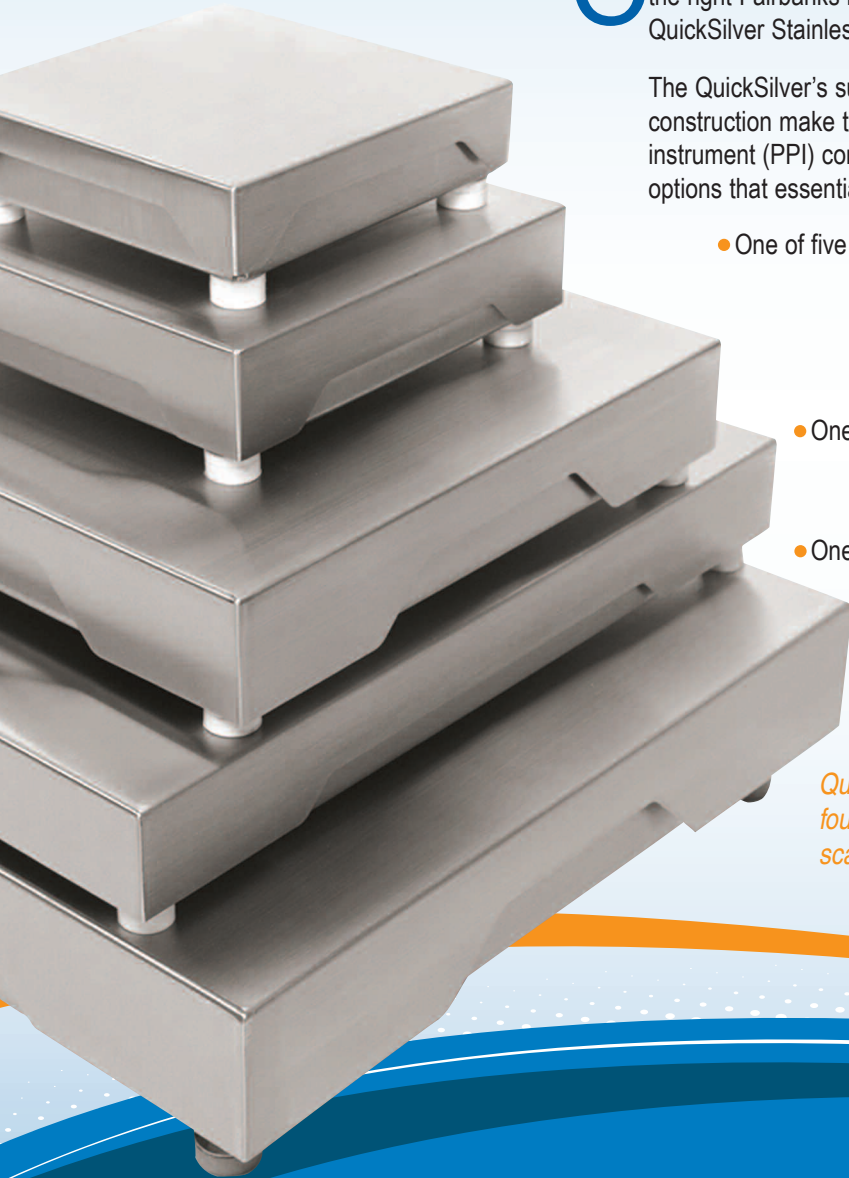
SANITARY STAINLESS STEEL BENCH SCALES

Visit our world today at Fairbanks.com





SANITARY STAINLESS STEEL BENCH SCALES



Create the perfect Sanitary Bench Scale for your operation by adding the right Fairbanks instrument and mounting hardware to a Fairbanks QuickSilver Stainless Steel Platform.

The QuickSilver's superior sanitary design and durable stainless steel construction make these platforms the ultimate base in a platform-pillar-instrument (PPI) configuration. Fairbanks gives its customers powerful options that essentially enable you to build a custom scale by choosing:

- One of five QuickSilver Platform sizes — 10" x 10"
12" x 12"
18" x 18"
18" x 24"
24" x 24"
- One of three sanitary instruments — NexWeigh, FB2250, FB2255 - with IP69K or NEMA 4X enclosure
- One of six mounting options — 10" pillar
18" pillar
30" pillar
Short pillar
Desk / wall mount stand
Portable scale cart

QuickSilver platforms are the perfect foundation for a reliable sanitary bench scale configuration.



10" pillar



Wall mount or free standing instrument



Short pillar



Optional wheelbase for 24" x 24" model

APPLICATIONS

- RTE washdown
- Gross weighing
- Gross/Tare/Net weighing
- Manual batching, filling or blending with totalizing
- Checkweighing
- Accumulation

WHAT SETS THE QUICKSILVER PLATFORMS APART?

- All surfaces are visible and accessible for cleaning and sanitizing.
- Stainless steel load cell on most models.
- Closed corners on platform cover prevent splash collection of processing materials inside the scale.
- Bushings and spacers used to eliminate lap joints — facilitates quick and easy cleaning and sanitizing.
- Type 304 stainless steel construction.
- No processing material or water collection points.
- Cleaning SOP included in the Operator Manual.

ULTIMATE SANITARY DESIGN

QuickSilver Bench Scale Platforms are designed to be easily cleaned and sanitized. Both the platform and instrument are completely sealed so moisture can never penetrate. All welds are continuous, which prevents processing materials and moisture from accumulating and forming colonization points for harmful bacteria like *Listeria Monocytogenes*, *Salmonella* and *E. coli*. Fairbanks Scales is the only scale manufacturer utilizing the American Meat Institute's Sanitary Design Checklist.

Adhering to the AMI's strict standards ensures that Fairbanks Sanitary Bench Scales are safe for use in RTE areas and other production applications.



The QuickSilver 10" x 10" platform combined with a 10" stainless pillar and a NexWeigh NEMA 4X Instrument.

QUICKSILVER SANITARY FEATURES

Corrosion resistant stainless steel load cell.

Up to 500% scale overload protection means scale is resistant to damaging loads.

Closed corners prevent particles from splashing into scale during use.

Weigh pan minimizes overlap and promotes easy cleanup.

Numerous wash access points provide easy cleaning.

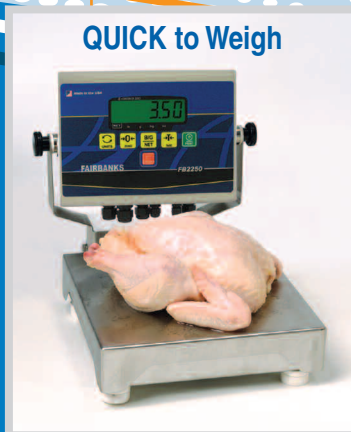
Joint spacers eliminate places for bacteria to hide.

Many large openings for cleaning and draining.

Open corners on base eliminate places for bacteria to hide while providing easy washing and drainage.

FAIRBANKS SANITARY STAINLESS STEEL BENCH SCALES ARE:

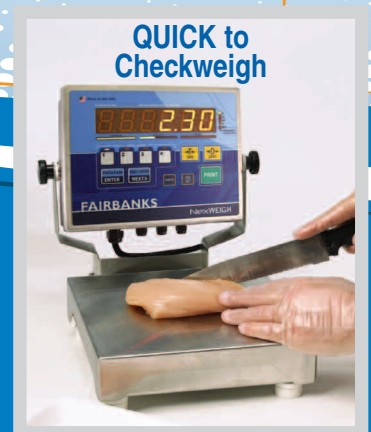
QUICK to Weigh



QUICK to Clean

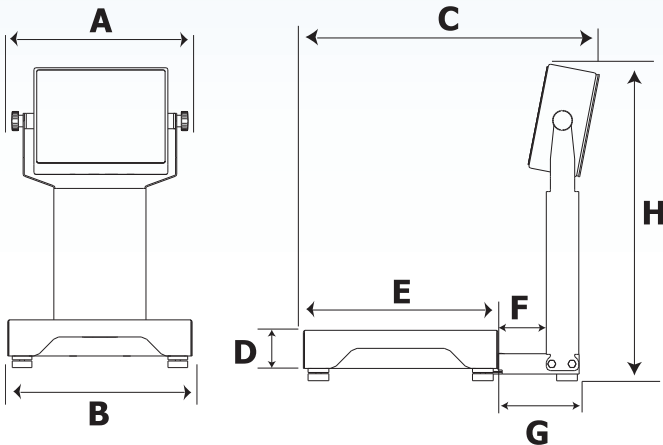


QUICK to Checkweigh



STAINLESS STEEL PLATFORM SPECIFICATIONS

- Capacities (Chart at right) 2 to 1000 lbs.
- Platform sizes (chart below) 10" x 10" to 24" x 24", Type 304 stainless steel
- Resolution 5,000 divisions
- Overload Up to 500% of scale capacity
- Configurations Platform, platform with remote instrument,
platform with pillar and instrument
- Approvals NTEP CC #94-100,
MC #AM-5107, #AM-5279 and #AM-5573,
Factory Mutual approved load cell



CAPACITIES AND GRADUATION SIZES

Capacity	Commercial Division Size		Non-Commercial Division Size	
	lb (Pounds)	kg (Kilograms)	lb (Pounds)	kg (Kilograms)
2 lbs	N/A	N/A	2 x 0.0005	1 x 0.0002
6 lbs	6 x 0.002	2 x 0.001	6 x 0.001	2 x 0.0005
10 lbs	10 x 0.002	4 x 0.001	10 x 0.001	4 x 0.0005
25 lbs	25 x 0.005	11 x 0.002	25 x 0.002	11 x 0.002
30 lbs	30 x 0.01	13 x 0.005	30 x 0.005	13 x 0.002
50 lbs	50 x 0.01	22 x 0.005	50 x 0.005	22 x 0.005
100 lbs	100 x 0.02	45 x 0.01	100 x 0.01	45 x 0.005
150 lbs	150 x 0.05	68 x 0.02	150 x 0.02	68 x 0.02
200 lbs	200 x 0.05	90 x 0.02	200 x 0.02	90 x 0.01
250 lbs	250 x 0.05	113 x 0.02	250 x 0.02	113 x 0.01
300 lbs	300 x 0.1	136 x 0.05	300 x 0.05	136 x 0.02
500 lbs	500 x 0.1	226 x 0.05	500 x 0.1	226 x 0.05
1000 lbs	1000 x 0.2	452 x 0.1	1000 x 0.1	452 x 0.05

NOTE: The matrix above defaults to the QuickSilver Platform commercial rating.

Fairbanks Sanitary Stainless Steel Bench Scale Platforms, Pillars and Digital Instruments Matrix

Platform	A		B	C	D	E	F	G	H			
	NexWeigh	FB2250 & FB2255							FB2250 & FB2255		NexWeigh	
									NEMA 4X	IP69K	NEMA 4X	IP69K
10" x 10"	12.63"	12.63"	10"	16.37"	2.89"	10"	2.98"	4.98"	19.75" 10" pillar	19.88" 10" pillar	19.75" 10" pillar	19.88" 10" pillar
12" x 12"	12.63"	12.63"	12"	18.37"	3.10"	12"	2.98"	4.98"	27.70" 18" pillar	27.83" 18" pillar	27.70" 18" pillar	27.83" 18" pillar
18" x 18"	12.63"	12.63"	18"	24.37"	3.87" *	18"	2.98"	4.98"				
18" x 24"	12.63"	12.63"	18"	30.15"	5.06"	24"	2.76"	4.76"	39.75" 30" pillar	39.88" 30" pillar	39.75" 30" pillar	39.88" 30" pillar
24" x 24"	12.63"	12.63"	24"	30.06"	5.77"	24"	2.67"	4.67"				
24" x 24"	12.63"	12.63"	24"	30.06"	5.77"	24"	2.67"	4.67"	40.77" 30" pillar	40.90" 30" pillar	40.77" 30" pillar	40.90" 30" pillar

* 4.12" for 300 lb. model

Call toll-free for the representative nearest you:

(800) 451-4107

Call between 8:00 a.m. – 5:00 p.m. Central Time

Corporate Offices: 821 Locust • Kansas City, MO 64106 • (816) 471-0231

Internet Address: <http://www.Fairbanks.com>



St. Johnsbury manufacturing facility registered in compliance with ISO 9001:2000.

