

FAIRBANKS®

ABOVEGROUND TRUCK SCALE SAFETY STAIR PLATFORM



Fairbanks Safety Stair Platform reduces risk of injury for truck drivers and risk of injury liability for truck scale owners.

SAFETY IS PARAMOUNT

Stepping out of a truck onto an aboveground truck scale weighbridge and jumping down to ground level can be a dangerous proposition. Add a little water or snow and the potential for serious injury rapidly increases.

Fairbanks Scales manufactures a solution that meets this safety concern head-on. Built to OSHA standards, our Safety Stair Platform can be installed in a side-step configuration or a straight-on step configuration (as shown above). Additionally, for customers who choose to self-install this safety product, assembly is simple and all hardware is included.

This product works well on hard or loose surfaces, such as concrete, asphalt and gravel. Fairbanks provides a foundation plan and anchors to install and secure the steps properly.

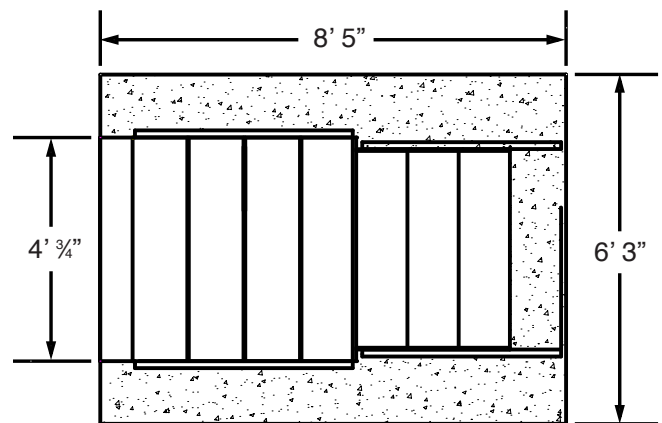
The Safety Stair Platform is palletized, ships motor freight (LTL), and can be added to most aboveground truck scales. Stair height is adjustable to make leveling a cinch.

The frame is constructed from epoxy-coated mid steel and the stairtreads feature galvanized grip strut to promote sure footing.

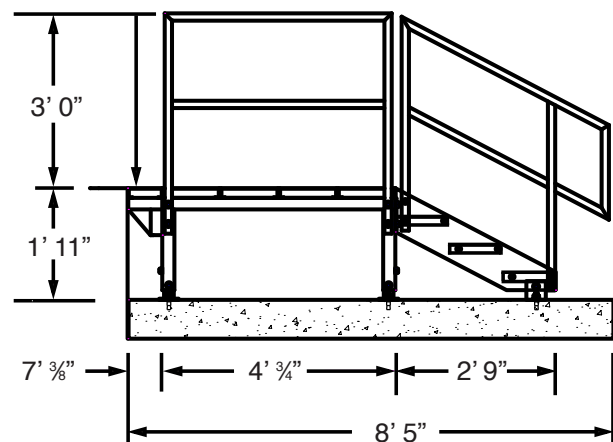
SPECIFICATIONS

- Platform dimensions 4' x 4'
- Step dimensions 4' x 11"
- Step and platform tread 14 gage galvanized grip strut
- Step stringers 1/4" A36 plate steel
- Frame/handrail construction A36 square steel tubing
- Frame/handrail finish Highly visible yellow epoxy paint

DIMENSIONS



TOP VIEW



SIDE VIEW

QuickFacts™

Models and specifications subject to change without notice.
Printed in the USA. © Fairbanks Scales Inc.

www.Fairbanks.com

Call toll-free for the Fairbanks representative nearest you:
(800) 451-4107