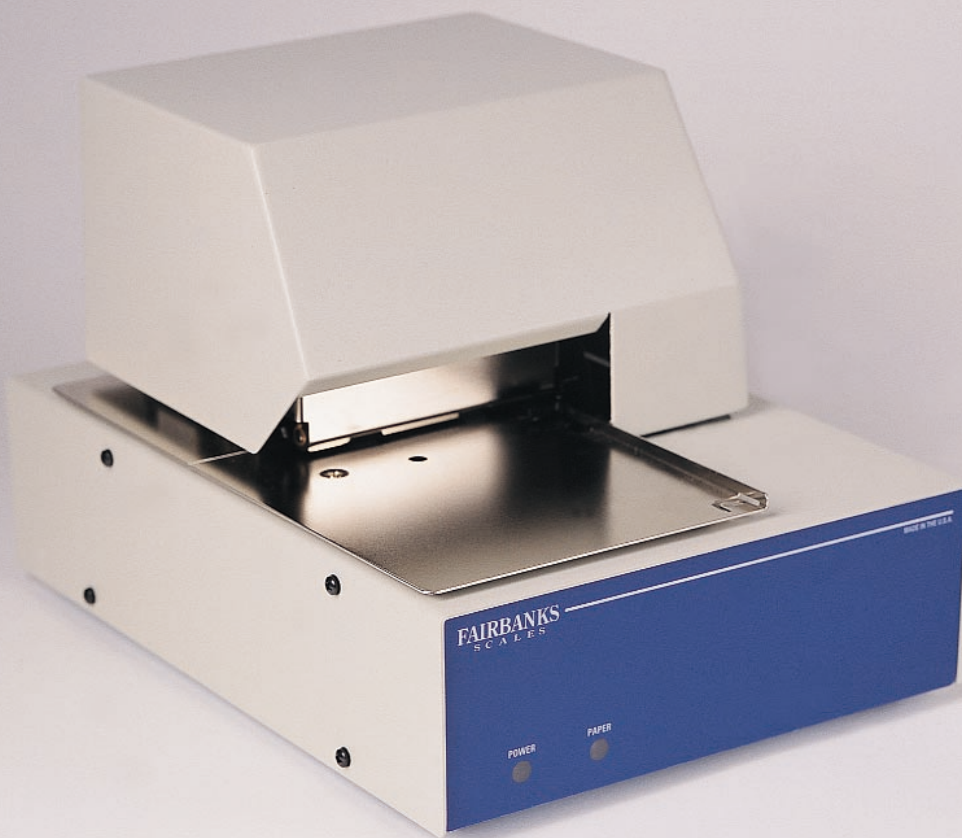


FAIRBANKS®

MODEL 3950 TICKET PRINTER



**This dependable
ticket printer has been
designed for use
in industrial
environments.**



FAIRBANKS®

MODEL 3950 TICKET PRINTER

Fairbanks' Model 3950 is a versatile, heavy duty ticket printer ideal for most industrial settings.

HIGH SPEED PRINTING

With its bi-directional operation, the 3950 Ticket Printer provides extremely fast ticket printing results. It can print up to three lines per second.

DEPENDABLE

Whether you need to print single- or multi-ply carbon leaf or carbonless documents and tickets, the 3950 Ticket Printer can do it all. Plus, if a paper jam occurs during the printing process, this ticket printer has the ability to automatically shut off the drive motor. So, you don't have to worry about the possibility of the printer's motor burning itself out.

SELF-TESTING CAPABILITY

Fairbanks' 3950 printer can perform a self test to check for proper operation and character form — ensuring clear, concise printing results.



A sample ticket print out from Fairbanks' 3950 Ticket Printer.

FLEXIBLE PRINT FORMAT

With a document print field of 3 inches in width, this ticket printer can be set up to print up to one inch from the edge of the paper. Inverted reverse printing allows printing from opposite sides of the document or ticket, so you are able to expand the effective print field width to 6 inches.

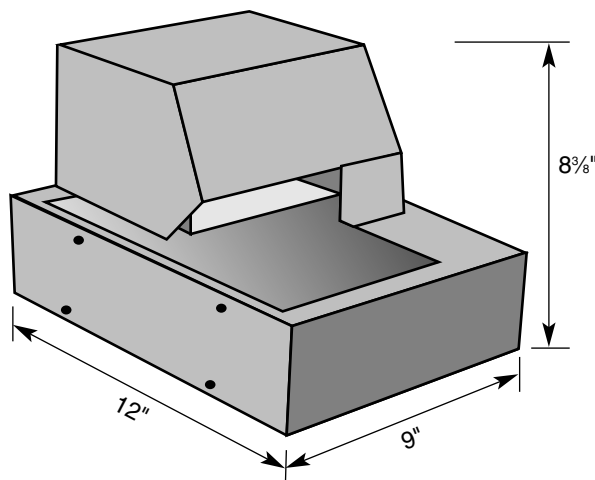
EASY MAINTENANCE

It is never a problem servicing the 3950 printer. Built with limited interlocking parts, it's always easy to gain access to the printer's internal components — saving valuable time should a maintenance problem occur.

SPECIFICATIONS

Power Requirements	115/230 VAC ± 10%, 50/60 Hz, grounded 3-wire AC, 200 watts
Serial Interface	RS232C/20mA
Baud Rate	Selectable from 110, 300, 600, 1200, 2400, 4800 and 9600
Ribbon	Cartridge-type continuous loop with automatic advance
Character Height	0.12 inches
Character Width	0.052 inches standard; 0.104 inches expanded
Print Speed	3 lines per second (bi-directional)
Print Line Length	3 inches
Characters Per Line	40 characters per line with normal characters; 20 characters per line with expanded characters
Document Thickness	0.01 to 0.018 inch range

DIMENSIONS



Your Fairbanks Scales Authorized Representative is:

Call toll-free for the representative nearest you:

(800) 451-4107

Call between 8:00 a.m. – 5:00 p.m. CST

Corporate Offices: 821 Locust • Kansas City, MO 64106 • (816) 471-0231

Internet Address: <http://www.Fairbanks.com>



St. Johnsbury manufacturing facility registered in compliance with ISO 9002.

