

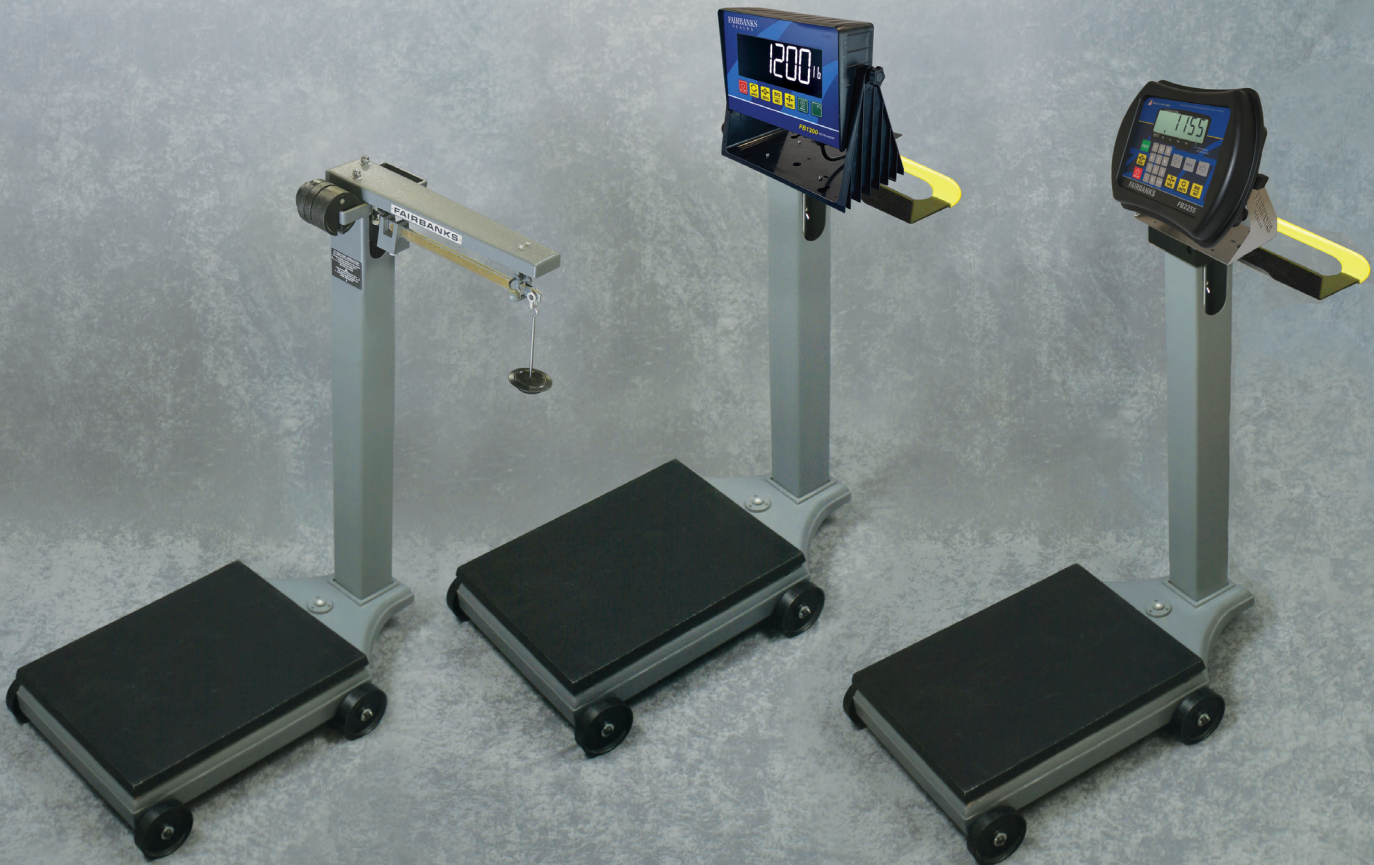


Portable Scales

FOR GENERAL INDUSTRY

Industry's most comprehensive portable line for mechanical to advanced digital weighing.

1124 Series • 1200 Series • 1155 Series



Mechanical

General Purpose

Advanced Digital

Fairbanks portable scales
are legal for trade in the
U.S. and Canada.



Visit our world: WWW.FAIRBANKS.COM



Portable Scales

For General Industry



1124 Series

Rugged and economical mechanical beam scale for industrial and commercial general utility weighing.



Chrome-plated beam, clearly shows exact weight.

General mechanical weighing

- Mechanical design makes this scale ideal for intrinsically safe applications.
- Low-cost weighing solution.
- Easy to maneuver.
- Easy-to-read, chrome-plated weigh beam with brass inset.
- Weighs in lb or kg.



Legal for Trade

Applications:

- Intrinsically safe
- Inventory
- Parts distribution
- Warehousing
- Bag filling



1200 Series

Cost-effective solution for basic commercial utility scale applications.



FB1200 Series Instrument

General digital weighing

- Runs on AC or rechargeable battery.
- Low-cost weighing solution.
- Functions include on/off, units, zero, B/G net, tare, print, F1.
- Large, 2.0" backlit LCD display.
- Two (2) bidirectional RS232 COM ports.
- Weighs in lb, kg, oz, g, ton, tonne, and custom units.



Legal for Trade

Applications:

- Auditing
- Parts distribution
- Material handling
- Warehousing
- Bag filling
- Checkweighing



1155 Series

Full numeric keypad allows manual input of tare weights and IDs.



FB2255 Series Instrument

Advanced digital weighing

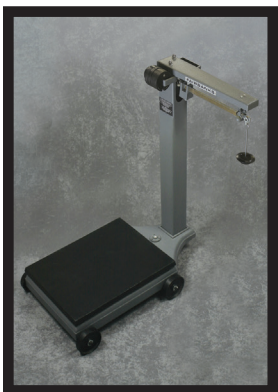
- Runs on AC power or D cell batteries.
- Easy-to-read, 1.0" tall, backlit LCD display.
- Low-power technology enables batteries that last for up to 55 hours of continuous use.
- RS232C, RS485, RS422 and 20 mA serial interface.
- Weighs in lb, kg, oz, g, and custom units.



Legal for Trade

Applications:

- Auditing
- Inventory
- Parts distribution
- Material handling
- Warehousing
- Bag filling



BPP Series

Rugged and economical mechanical beam scale for industrial general utility applications that do not require legal-for-trade certification.



Chrome-plated beam, clearly shows exact weight.

Non-commercial weighing

- 1,000 lb and 2,000 lb capacity models.
- Intrinsically safe.
- Low-cost weighing solution.
- Easy to maneuver.
- Easy-to-read, chrome-plated weigh beam with brass inset.
- Weighs in pounds.

Applications:

- Intrinsically safe
- Inventory
- Parts distribution
- Warehousing
- Bag filling



Setting the Industry Standard since 1830

Portable Scale Platform/pillar

Time-proven reliability

At the heart of Fairbanks' Portable General Industrial Scales is a cast iron base and lever system with a timeless design that's served the weighing industry for more than **100 years**.

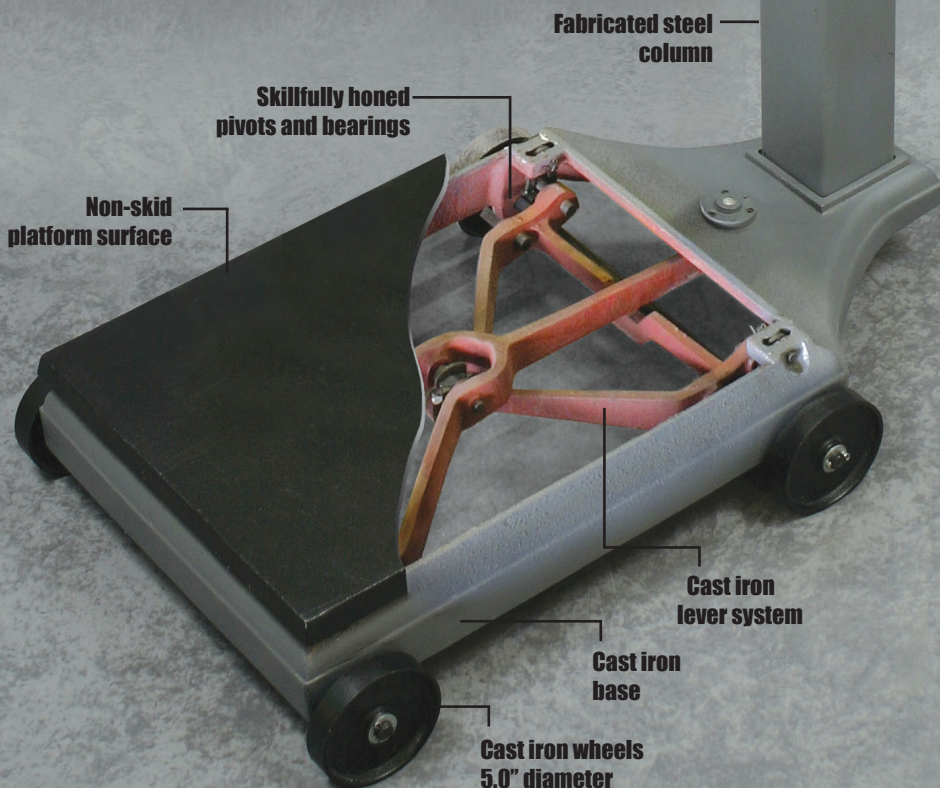
- **1,000 lb capacity**
- **Incredibly durable cast iron construction**
- **Easy portability**
- **Accurate and dependable**



Slip-proof, ergonomic handle is featured on the 1200 Series and 1155 Series scales.



The 1124 Series and BPP Series have an easy-grip handle that is attached directly to the weigh beam pillar.



Fabricated steel column

Skillfully honed pivots and bearings

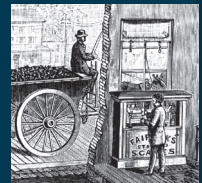
Non-skid platform surface

Cast iron lever system

Cast iron base

Cast iron wheels 5.0" diameter

We invented platform weighing



Fairbanks Scales is one of the oldest manufacturing companies in the United States. It was founded in St. Johnsbury, VT., in 1830 by inventor Thaddeus Fairbanks.

Thaddeus revolutionized U.S. commerce and global trade with his ingenious lever-driven platform scale design for loaded wagons.

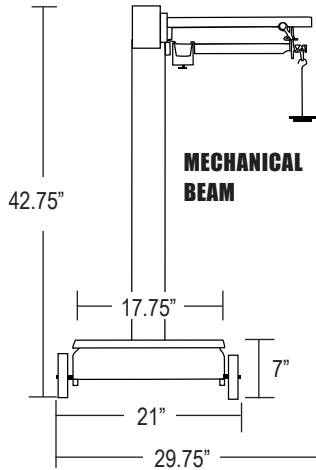
The design was applied on a smaller scale in the 19th Century and remains the foundation for today's line of portable industrial scales.

Portable Scales

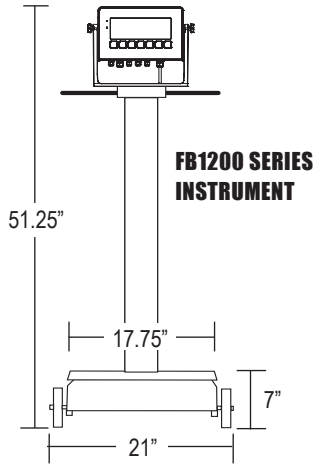
For General Industry

DIMENSIONS (in inches)

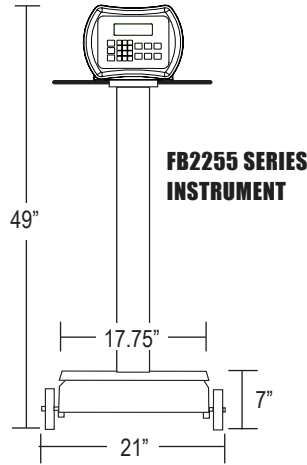
1124 SERIES



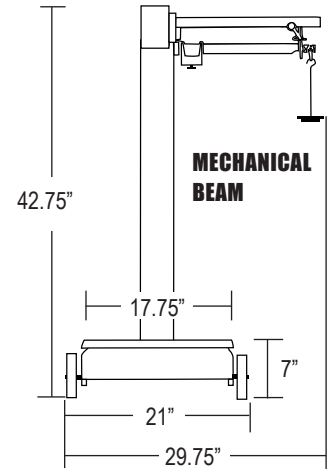
1200 SERIES



1155 SERIES



BPP SERIES



1124 SPECIFICATIONS

Capacity 1,000 x 0.5 lb
 Beam Chrome-plated
 with brass inset;
 large, easy-to-read
 graduations
 Units lb or kg
 Approvals NTEP CC# 88-266;
 MC #AM-4657

1200 SPECIFICATIONS

Capacity 1,000 x 0.2 lb
 Display LCD, 2.0" tall,
 6-digit,
 9-segment
 Enclosure ABS plastic,
 NEMA 12
 Push Button Keys On/off, units,
 zero, B/G net,
 tare, print, F1
 Units lb, kg, oz, g, ton,
 tonne, custom
 Communications Two (2) RS232
 bidirectional
 COM ports
 Power AC or battery
 (rechargeable)
 Approvals NTEP CC#92-110,
 MC #AM-5745

1155 SPECIFICATIONS

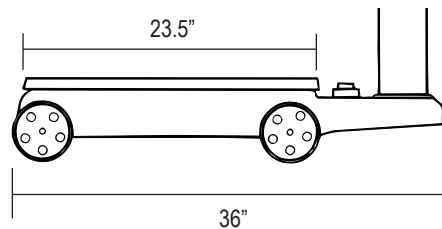
Capacity 1,000 x 0.2 lb
 Display LCD, 1.0" tall,
 6-digit
 Enclosure ABS plastic,
 NEMA 1
 Push Button Keys 0-9, decimal,
 enter, menu,
 ID/left arrow,
 right arrow,
 zero, print,
 units, tare,
 on/off, B/G net
 Units lb, kg, oz, g
 and custom
 Communications COM 1 - RS232,
 RS422, RS485
 COM 2 - RS232,
 RS422, RS485,
 20 mA
 External - DB9
 bidirectional
 Power AC or 5 "D"
 cell batteries
 Approvals NTEP CC#92-110,
 MC #AM-5720

BPP SPECIFICATIONS

Capacities
 BPP1000 model . . . 1,000 x 0.5 lb
 BPP2000 model . . . 2,000 x 1.0 lb
 Beam Chrome-plated
 with brass inset;
 large, easy-to-read
 graduations
 Unit lb

BASE SPECIFICATIONS (ALL MODELS)

Platform size 23.5" x 17.75"
 Construction Cast iron
 Wheels 5.0" diameter,
 cast iron
 Column Fabricated steel



BPP DIMENSIONS

BPP1000 model . . . Shown above.
 BPP2000 model
 Height
 Total 44.50"
 Platform only 8.5"
 Width
 Platform 23.75"
 Wheel to wheel . . . 27"
 Wheel to beam . . . 32.75"

Call toll-free for the representative nearest you:

(800) 451-4107

Call between 8:00 a.m. – 5:00 p.m. Central Time
 Corporate Headquarters: 6800 W. 64th Street, Overland Park, Kansas 66202
 (816) 471-0231 Internet Address: <http://www.Fairbanks.com>



St. Johnsburys manufacturing
 facility registered in
 compliance with ISO 9001.

