



**Economical indicators designed for top performance in a wide variety of applications and environments.**

**FB 350**  
**Digital Indicators**  
with custom information output

Visit Fairbanks on the Web: [www.fairbanks.com](http://www.fairbanks.com)





# FB 350

**Digital Indicators**  
with custom information output



The FB 350 Series are multi-purpose digital weight indicators suitable for most general weighing applications.

Depending on the configuration and accessories selected, the FB 350 can perform industrial weighing, check weighing and parts/piece counting (over/under and percentage), filling, batching and discharge weighing.

The FB 350 is available in two enclosure types:  
**A NEMA 12 Zinc Die Cast** model and  
**NEMA 4X Stainless Steel** model.

## Outstanding performance

Industrial uses for the FB 350 are extremely varied and these indicators have gained a reputation for reliable operation in the following applications:

- System Integration
- Agricultural
- Parts Counting
- Food Processing
- Process Control
- Industrial Weighing
- Batching Processes
- Checkweighing
- Fill Processes

## Standard Functions:

- Checkweighing (absolute value or percent)
- Remote key operation
- Parts counting (absolute value or percent)
- Custom print formats

## Optional Functions:

- Filling, two-speed, single ingredient
- Batching, single-speed, up to 3 ingredients
- Loss in weight, 2 speed emptying

## Custom information output

Don't get frustrated with other indicators that don't meet your needs — the FB 350 is enhanced with a programmable output function that allows you to customize the way in which you receive your operation's weighing information.

Use one of 14 selectable, fixed-format, data output strings or create your own using any simple text editor, then download it to the FB 350 through the standard RS232 serial port. This capability allows you to transmit data from the FB 350 to a printer or PC in a format ideally suited to your requirements.



## Zinc Die Cast Enclosure

- **Black powder coat paint**
- **Free standing on flat surface**
- **LED or LCD display with six, 0.8"-high digits**
- **Accessories include panel mount kit and swivel bracket stand.**

Visit Fairbanks on the Web: [www.fairbanks.com](http://www.fairbanks.com)



Choice of LED or LCD display

Selectable weighing units

Tilt control knob

Pushbutton keys for easy operation

Stainless Steel NEMA 4X enclosure

Swivel bracket/stand comes standard with stainless steel enclosures

**Standard Features:**

- Easy 5-key operation
- Selectable weighing units: lb, kg, oz, g, or lb-oz.
- LED or LCD display
- AC or DC power
- Communications RS232 RS485

**Optional Features:**

- Time and date clock
- Configurable analog output: 0-10 VDC 20 mA 4-20 mA

**Stainless Steel Enclosure**

- Comes standard with swivel bracket/stand
- LCD or LED display with six, 0.8"-high digits
- Panel mount kit accessory



Analog Outputs

Setpoint outputs

Scale connection

AC power plug

Optional swivel bracket/stand

Scale output

Model FB 350  
 MADE IN U.S.A.  
 200350-25010  
 SERIAL NO. 25535

**ANALOG OUTPUTS**  
 1 4-20 OR 0-20mA  
 2 ISOLATED 0VDC  
 3 0-10VDC  
 4 ISOLATED 0VDC  
 5 ISOLATED 4-5V  
 6 BATTERY 0VDC

**SETPOINT OUTPUTS**  
 1A MAX PER CH  
 20-280VAC  
 SP1 SP2 SP3  
 1 2 3 4 5 6

1 2 3 4 5 6

1 2 3 4 5 6

1 2 3 4 5 6 7 8 9 10 11 12

1 2 3 4 5 6 7 8 9 10 11 12

# FAIRBANKS®

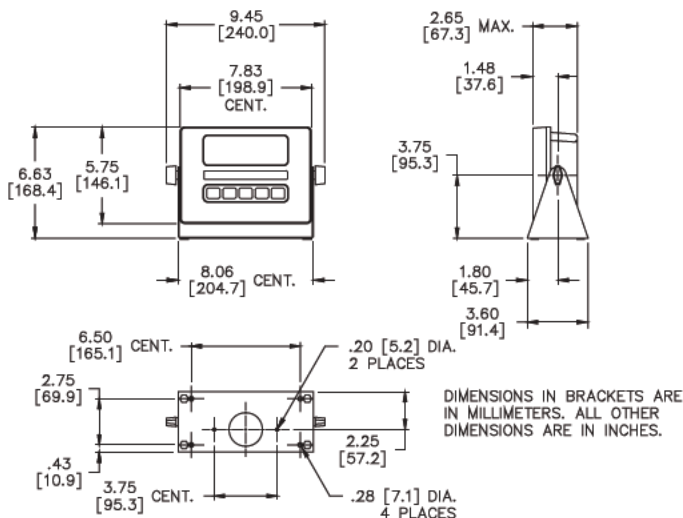
## FB 350 SERIES DIGITAL INDICATORS

### SPECIFICATIONS

Display Size	LED: 0.8" high, 6-digit, 11 LED annunciators for operational status LCD: 1" high, 6-digit, 11 LCD annunciators for operational status
Enclosure	Zinc die cast black powder coat paint, self-standing on flat surface; Stainless steel, designed to NEMA 4X, IP65 includes swivel bracket/stand
Pushbutton Keys	Zero/Clr, Print, Units, Tare, Select/On
Units	lb, kg, oz, g, lb-oz
Capacity	Selectable 0 to 999,999
Graduation Size	0.001 lb to 50 lb
Load Cells	Six 350 ohm cells
Power Requirements	Zinc die cast enclosure: 12-26 VAC/12-36 VDC Stainless enclosure: 90-250 VAC / 12-36 VDC
Serial Interface Standard	RS 232 bi-directional
Approvals	NTEP CC# 02-091; MC #AM-5257

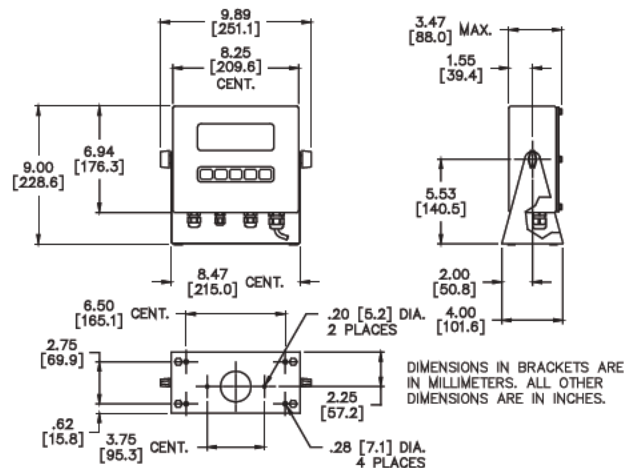
### ZINC DIE CAST ENCLOSURE

(Shown with optional stainless steel bracket)



### STAINLESS STEEL ENCLOSURE

(Stainless steel bracket standard on stainless steel models)



### ACCESSORIES

#### ALL MODELS:

#### Output Relay Module (internal mount)

Number of outputs	3 N.O. contacts
Voltage range	20-240VAC @ 1A or 5-50VAC @ 2A
Bracket	Optional

#### Analog Output Module (internal mount)

Output range	Isolated, 0-10 VDC, 0-20mA or 4-20mA
Resolution	16 bit
Bracket	Optional

#### Battery Module (internal mount)

Type	Nickel Metal Hydride, 12 VDC, 1.3A Hr.
Recharge Circuit	Installs in indicator w/ battery, Smart Charge circuitry senses AC power

Cycle Continuous: 20 hours LCD, 8 hours LED

#### RS 485 Module

Half or full duplex; distance 4000';

9600 bps max; 12 VDC; 1000' drop

#### 20mA Current Loop

Optically isolated; TX-Active or Passive;

RX-Passive only; 9600 bps max; 12 VDC,

1000' drop

#### ZINC DIE CAST MODEL::

Panel Mount Kit Mounts unit to electrical panel

Swivel Bracket/Stand Optional (standard on SST models)

Call toll-free for the representative nearest you:

**(800) 451-4107**

Call between 8:00 a.m. – 5:00 p.m. CST

Corporate Offices: 821 Locust • Kansas City, MO 64106 • (816) 471-0231

www.Fairbanks.com



St. Johnsburys manufacturing facility registered in compliance with ISO 9001:2000.

