

FAIRBANKS®

REMOTE DISPLAY 1500 SERIES



ISO 9002
REGISTERED
Certificate #30862

St. Johnsbury manufacturing
facility registered in
compliance with ISO 9002.



**This display's high
intensity, LED digits
make it easy to view
weight readings from
distances up to 160
feet, even in bright
sunlight.**



FAIRBANKS®

REMOTE DISPLAY 1500 SERIES

Fairbanks' versatile 1500 Series remote displays are designed for use in applications that require plain and accurate weight readings from a distance. These displays have a comfortable viewing range from a distance of up to 160 feet.

EASY TO READ

Fairbanks' remote displays have been specifically designed for applications that require equipment operators and other users to have easy visual confirmation of weight readings at some distance from the primary indicator. The 1505's large, high intensity, red LED digits allow the weight reading to be seen clearly from up to 160 feet in bright sunlight and much, much farther in low light conditions. An added benefit is the "reflect" mode. If selected, the weight information is displayed so it can be viewed and read easily in a mirror.

TOUGH, DEPENDABLE DESIGN

The 1500 Series remote displays are not only reliable and extremely durable, they also conform with the National Institute of Standards and Technology Handbook 44 (NTEP) when used in conjunction with a Fairbanks instrument. Available in NEMA 4X and NEMA 3 enclosures, the 1500 Series remote displays can be mounted outdoors in moist or dusty environments without damage to their electronic circuitry or display module.

LEARNING CAPABILITIES

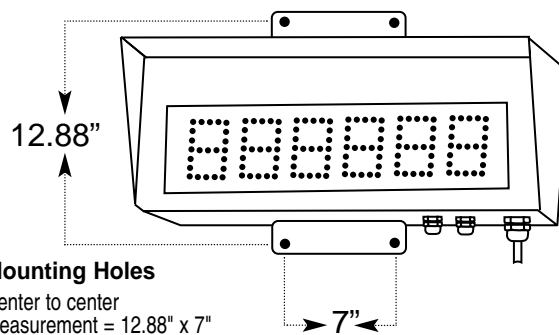
The 1500 Series remote displays feature unique programmable learning communications, enabling them to be used with nearly every type of scale instrument.

SPECIFICATIONS

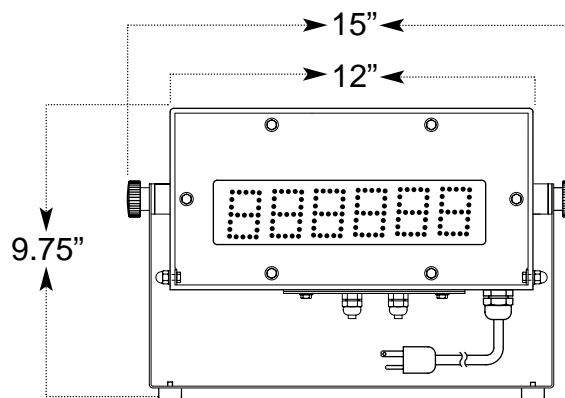
Model Number	1505	1501
Display	Six digits, 5.5" high	Six digits, 1.5" high
Viewing Distance	Up to 160 feet	Up to 60 feet
Max. Cable Length	1000 feet (20mA), 50 ft (RS232C)	
Power	117 VAC \pm 15%, 50/60 Hz, 100mA	
Enclosure	NEMA 3 rated	NEMA 4X stainless steel
Input	RS232C or 20mA (active or passive)	
Digit Color	High intensity red LED	
LED Life Expectancy	More than 11 years	
Storage Temp.	0° F to 150° F (-18° C to 66° C)	
Humidity	0% to 100% non-condensing	
Shipping Weight	30 lbs (13 kg)	15 lbs (6.5 kg)

DIMENSIONS

1505: Width = 27"; Height = 10.5" (16.5" w/bracket); Depth = 8"



1501: Width = 12"; Height = 6" (9.75" w/bracket); Depth = 5.625"



Your Fairbanks Scales Authorized Representative is:

Call toll-free for the representative nearest you:

(800) 451-4107

Call between 8:00 a.m. – 5:00 p.m. CST

Corporate Offices: 821 Locust • Kansas City, MO 64106 • (816) 471-0231

Internet Address: <http://www.Fairbanks.com>



St. Johnsbury manufacturing facility registered in compliance with ISO 9002.

