



1600 SERIES REMOTE DISPLAYS

Fairbanks Scales' high-intensity LED remote display is designed for high-readability in all lighting conditions with viewing up to 300 feet.



FAIRBANKS®

1600 SERIES REMOTE DISPLAYS

Fairbanks Scales' 1600 Series remote displays are made to perform in harsh, real-world weighing environments. From wet, dirty, dusty, hot or cold outdoor trucking conditions, to indoor washdown applications, you can expect reliable performance from the 1600 Series displays. These displays also feature a unique learning ability that makes them compatible with every known scale instrument that has continuous output.

1605 FEATURES:

- 5.0" display characters.
- NEMA 3 rated enclosure for outdoor use.



1601 FEATURES:

- 1.5" display characters.
- NEMA 4X rated enclosure for washdown.



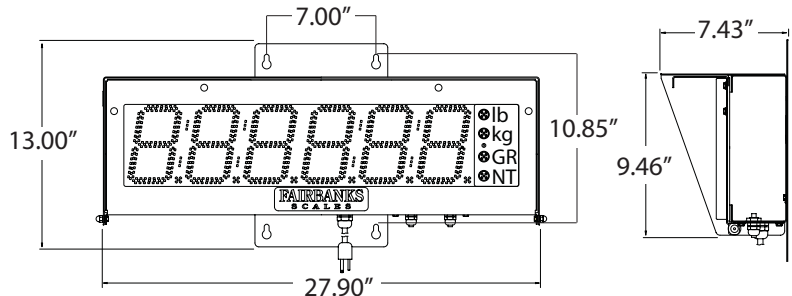
SHARED FEATURES:

- Bright red, high-intensity LED.
- Auto-intensity sensor that automatically adjusts display brightness for existing lighting conditions.
- Gross and Net legends (GR-NT).
- LB and KG legends.
- Standard interfaces include RS232, RS485 and 20mA (active or passive). Wireless RS232 accessory sold separately.
- Programmable learning interface.
- Time and date capability (standard).
- Optional temperature module.

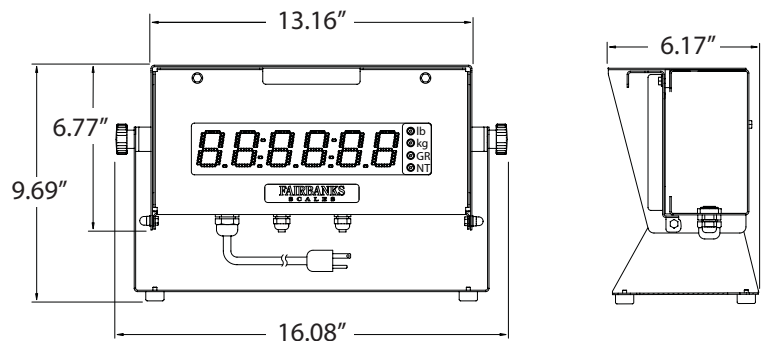
SPECIFICATIONS

Model Number	1605	1601
Display type	Six digit, high-intensity, red LED	Six digit, high-intensity, red LED
Digit height	5.0"	1.5"
Viewing distance	Up to 300 feet	Up to 75 feet
LED life expectancy	More than 11 years	More than 11 years
Time/date functions	Standard	Standard
Power	117 VAC ± 15%, 50/60 Hz, 100mA	117 VAC ± 15%, 50/60 Hz, 100mA
Storage temp.	0° F to 150° F (-18° C to 66° C)	0° F to 150° F (-18° C to 66° C)
Standard interfaces	RS232C, RS485 and 20mA	RS232C, RS485 and 20mA
Enclosure	NEMA 3 rated, black, powder coat	NEMA 4X stainless steel
Mounting options	Pole or wall mount	Desk or wall mount bracket
Humidity	0% to 95% non-condensing	0% to 100% non-condensing
Shipping Weight	35 lbs	18 lbs
Accessories	Optional temperature module Wireless RS232 interface Pole and pole mounting bracket	Optional temperature module Wireless RS232 interface

1605 DIMENSIONS



1601 DIMENSIONS



Call toll-free for the representative nearest you:

(800) 451-4107

Call between 8:00 a.m. – 5:00 p.m. CST

Corporate Offices: 821 Locust • Kansas City, MO 64106 • (816) 471-0231

Internet Address: <http://www.Fairbanks.com>



St. Johnsbury manufacturing facility registered in compliance with ISO 9002.

