



1600T SERIES

Remote Display with Integrated Traffic Light



Combine traffic control and weight display in a single device to save time, space and money.

www.Fairbanks.com

Powerful LED display is visible at 300 feet!



FAIRBANKS®

1600T SERIES REMOTE DISPLAY WITH INTEGRATED TRAFFIC LIGHT



DESIGNED TO WITHSTAND THE ELEMENTS

Fairbanks Scales' 1605T Series remote displays are made to perform in the harsh, real-world environments that truck scale applications demand and it is compatible with every known scale instrument that has continuous output capability.

1605T FEATURES

- Bright red, high-intensity LED with 5.0" characters.
- Large 5" Diameter green DOT/ Red X
- NEMA 3 rated enclosure for outdoor use.
- Gross and Net legends (GR-NT).
- LB and KG legends.
- Display interfaces include RS232, RS485 and 20mA (active or passive). Wireless RS232 accessory sold separately.
- Programmable learning interface.
- Time and date capability (standard).
- Optional temperature module.

ACCESSORY 777 SPECIFICATIONS

Construction	Black powder-coated steel enclosure
Display type	High-intensity light emitting diode (LED)
Life expectancy	More than 11 years
Visibility	Up to 300 feet
Control box	Automatic or manual

- Accessories/Options
- Slipfitter for 4.5" pole
 - Bracket for wall mounting
 - 4.5" x 8' aluminum traffic pole with natural finish
 - Square, aluminum pole base
 - Complete installation kits

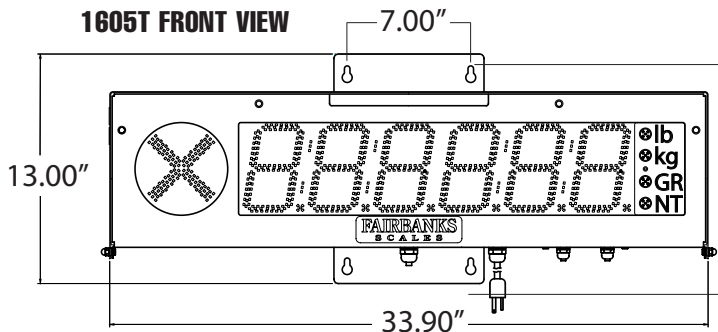


Shown with optional slipfitter.

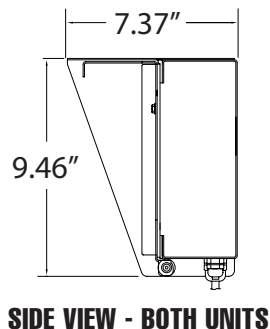
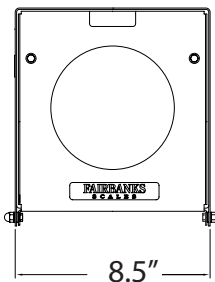
1605T SPECIFICATIONS

Display type	High-intensity, light emitting diode (LED)
Digit color/size	Bright red, 5.0"
Traffic light color/size	5" diameter green DOT/Red X
LED life expectancy	More than 11 years
Time/Date functions	Standard
Power	117 VAC +/- 15% 50/60 Hz, 100 mA
Storage Temperature	0° F to 150° F
Interface options	RS232 RS485 20mA (active or passive)
Enclosure material	Painted steel, black, powder coat
Enclosure rating	NEMA 3
Viewing distance	Up to 300 feet
Mounting options	Pole or wall mount (see accessories below)
Humidity	0% to 95% non-condensing
Shipping weight	35 lbs
Accessories	Optional temperature module; Pole and pole mounting hardware; Wireless RS232; Relay box for traffic light control

DIMENSIONS



ACC 777 FRONT VIEW



SIDE VIEW - BOTH UNITS

Call toll-free for the representative nearest you:

(800) 451-4107

Call between 8:00 a.m. – 5:00 p.m. CST

Corporate Offices: 821 Locust • Kansas City, MO 64106 • (816) 471-0231

Internet Address: <http://www.Fairbanks.com>



St. Johnsbury manufacturing facility registered in compliance with ISO 9002.

