

FAIRBANKS®

S C A L E S



ROLLER CONVEYOR SCALE

FOR MANUAL CONVEYOR WEIGHING

Seamlessly integrates into most conveyor systems and ships fully assembled for instant plug and play. Built for commercial or non-commercial applications, and easily customized to fit unique application needs.

ROLLER CONVEYOR SCALE FOR MANUAL CONVEYOR WEIGHING

**Ships Fully
Assembled and
Factory Calibrated!**

Weighing Solutions for the World Since 1830

UNIQUE PRODUCT AVAILABLE ONLY FROM FAIRBANKS

The Fairbanks Roller Conveyor Scale was developed for the largest express shipping hub in the United States and is now available as a standard product for all Fairbanks customers worldwide. Featuring a “roller” weighing platform, this design is unique to the scale market and comes with a proven track record for easy conveyor integration, reliable performance, accuracy and durability. When incorporating the Roller Conveyor Scale into a new or existing conveyor system, material handlers, manufacturers, and distribution centers can economically speed production and increase operational efficiencies.



CAPABILITIES AND APPLICATIONS

The Roller Conveyor Scale weighs products from 0.2 lbs. up to 250 lbs and accommodates various object sizes up to 32" x 36". It is a cost-effective solution for capturing shipping weights, missing parts inspection, over/under checkweighing, common carrier chargeback protection or manufacturing.

SPECIFICATIONS

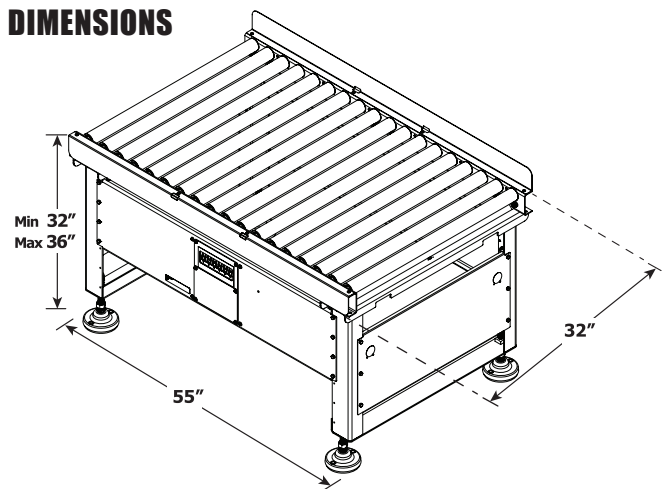
Capacity	250 lbs (113 kg)
Type	Static roller scale for conveyor integration
Dimensions (custom sizes available)	
Length	55"
Width	32"
Height	32" to 36" (adjustable)
Division size	0.2 lbs default (0.1 kg)
Output	USB (cable provided) RJ45 (remote display)
Power	USB cable, 8-foot
Display	1.5" tall LCD, 5-digit
Operating temperature	14° F to 104° F, -10° C to +40° C
Shipping weight	500 lbs
Construction and finish	Table: Mild steel, azure blue powder coat Rollers: Galvanized steel
Accessories	Remote display, USB-to-AC power adapter
Approvals	NTEP CC# 19-016, MC# AM-6122

SELF-CONTAINED CONVEYOR WEIGHING SOLUTION

The Roller Conveyor Scale consists of a frame (of typical floor conveyor height) with rails, rollers, integrated scale and weight display. No need to build a conveyor and then determine how to integrate a scale, or build a conveyor around a scale design. The Roller Conveyor Scale comes fully assembled. Installation is simple. Remove the unit from the box and adjust the feet to align the weighing platform with the conveyor line. The scale is powered through a USB port that connects to any PC using Windows® XP OS or higher. A USB-to-AC power adapter accessory is available for alternate power needs.



DIMENSIONS



Your Fairbanks Scales Authorized Representative is:

Call toll-free for the representative nearest you:

(800) 451-4107

Call between 8:00 a.m. – 5:00 p.m. Central Time
Corporate Offices: 821 Locust • Kansas City, MO 64106 • (816) 471-0231
Internet Address: <http://www.Fairbanks.com>



**NTEP and MC approved for
commercial applications.**