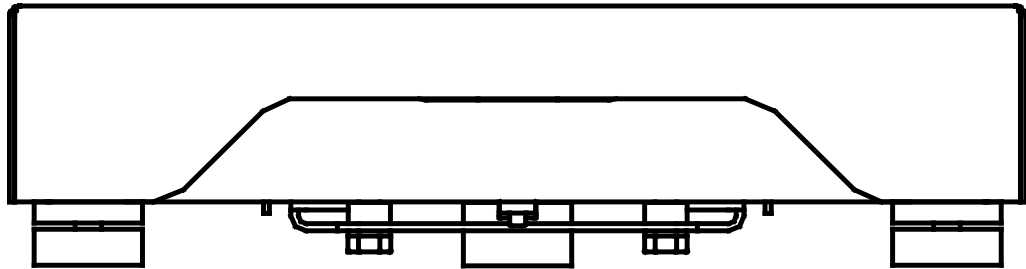




# **5000 Series Bench Scale Platforms**



# **Amendment Record**

## **5000 SERIES**

### **BENCH SCALE PLATFORMS**

#### **SERVICE / INSTALLATION MANUAL**

**Document 51245**

Manufactured by Fairbanks Scales Inc.

<b>Revision #</b>	<b>Date</b>	<b>Update</b>
Revision 1	06/10	Document release
Revision 2	02/13	Corrected model numbers included.
Revision 3	07/13	Corrected formatting errors and added part number 14964.
Revision 4	12/20	Updated: Technical Specifications section
Revision 5	04/21	Updated: Technical Specifications; Parts sections

## **Disclaimer**

Every effort has been made to provide complete and accurate information in this manual. However, although this manual may include a specifically identified warranty notice for the product, Fairbanks Scales makes no representations or warranties with respect to the contents of this manual, and reserves the right to make changes to this manual without notice when and as improvements are made.

Fairbanks Scales shall not be liable for any loss, damage, cost of repairs, incidental or consequential damages of any kind, whether or not based on express or implied warranty, contract, negligence, or strict liability arising in connection with the design, development, installation, or use of the scale.

### **© Copyright 2010-2021**

This document contains proprietary information protected by copyright. All rights are reserved; no part of this manual may be reproduced, copied, translated or transmitted in any form or by any means without prior written permission of the manufacturer.

---

# Table of Contents

---

SECTION 1: INTRODUCTION & DESCRIPTION.....	5
SECTION 2: TECHNICAL SPECIFICATIONS .....	6
SECTION 3: INSTALLATION.....	8
SECTION 4: PARTS REPLACEMENT.....	9
SECTION 5: PARTS - 10" X 10" PLATFORMS.....	10
SECTION 6: PARTS - 12" X 12" PLATFORMS.....	12
SECTION 7: PARTS - 18" X 18" PLATFORMS.....	14
SECTION 8: PARTS - 18" X 24" PLATFORMS.....	16
SECTION 9: PARTS - 24" X 24" PLATFORMS.....	18
SECTION 10: TROUBLESHOOTING FLOW CHART.....	20

---

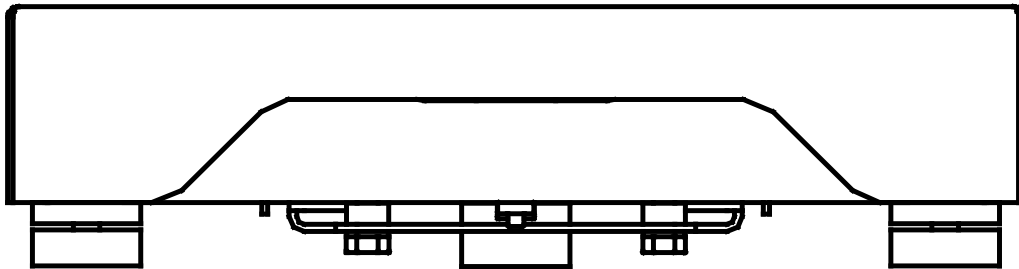
# Section 1: Introduction & Description

---

The 5000 Series analog platforms are constructed of stainless steel. There is a wide variety of application uses. These bench scales are designed for pharmaceutical, chemical, and food applications because of their ruggedness and easy-to-clean construction.

Certifications include:

- NTEP CC: 94-100
- MC: AM5107, AM5279, and AM5573



# Section 2: Technical Specifications

## Division size

lb	oz	kg	g
2 x .0005	32 x .01	.91 x .002	910 x .2
5 x .001	80 x .02	2.26 x .0005	2260 x .5
6 x .002	96 x .05	2.72 x .001	2720 x 1
10 x .002	160 x .05	4.53 x .001	4530 x 1
12 x .005	192 x .1	5.44 x .002	5440 x 2
24 x .01	384 x .2	10.9 x .005	10900 x 5
25 x .005	400 x .1	11.3 x .002	11300 x 2
30 x .01	480 x .2	13.6 x .005	13600 x 5
40 x .01	640 x .2	18.1 x .005	18100 x 5
50 x .01	800 x .2	22.6 x .005	22600 x 5
60 x .02	960 x .5	27.2 x .01	27200 x 10
80 x .02	280 x .5	36.2 x .01	36200 x 10
100 x .02	1600 x .5	45.4 x .01	45400 x 10
120 x .02	1920 x .5	54.4 x .01	54400 x 20
150 x .05	2400 x 1	68 x .02	68000 x 20
200 x .05	3200 x 1	90.7 x .02	90700 x 20
250 x .05	4000 x 1	113 x .02	113000 x 50
300 x .1	4800 x 2	136 x .05	136000 x 50
500 x .1	8000 x 2	227 x .05	227000 x 50
1000 x .2	16000 x 5	454 x .1	454000 x 100

PART NUMBER	MODEL NUMBER	DESCRIPTION
		<b>QuickSilver Platform Only (PLB) with STAINLESS STEEL Load Cells</b>
24760	PLB-HR5000-AQS	QuickSilver Series, 10" x 10" – 2 lbs
24761	PLB-HR5000-BQS	QuickSilver Series, 10" x 10" – 6 lbs x 0.002 lb
24762	PLB-HR5000-CQS	QuickSilver Series, 10" x 10" – 10 lbs x 0.002 lb
24763	PLB-HR5000-DQS	QuickSilver Series, 10" x 10" – 25 lbs x 0.005 lb
24764	PLB-HR5000-EQS	QuickSilver Series, 12" x 12" – 30 lbs x 0.01 lb
24765	PLB-HR5000-FQS	QuickSilver Series, 12" x 12" – 50 lbs x 0.01 lb
26029	PLB-HR5000-SP	QuickSilver Series, 12" x 12" – 100 lbs x 0.02 lb
24766	PLB-HR5000-GQS	QuickSilver Series, 18" x 18" – 50 lbs x 0.01 lb
24767	PLB-HR5000-HQS	QuickSilver Series, 18" x 18" – 100 lbs x 0.02 lb
24768	PLB-HR5000-JQS	QuickSilver Series, 18" x 18" – 150 lbs x 0.05 lb
24769	PLB-HR5000-KQS	QuickSilver Series, 18" x 18" – 300 lbs x 0.1 lb



		<b>QuickSilver Platform Only (PLB) with ALUMINUM Load Cells</b>
24770	PLB-HR5000-LQS	QuickSilver Series, 18" x 24" – 100 lbs x 0.02 lb
24771	PLB-HR5000-MQS	QuickSilver Series, 18" x 24" – 150 lbs x 0.05 lb
24772	PLB-HR5000-NQS	QuickSilver Series, 18" x 24" – 200 lbs x 0.05 lb
24773	PLB-HR5000-PQS	QuickSilver Series, 24" x 24" – 100 lbs x 0.02 lb
24774	PLB-HR5000-RQS	QuickSilver Series, 24" x 24" – 250 lbs x 0.05 lb
24775	PLB-HR5000-SQS	QuickSilver Series, 24" x 24" – 500 lbs x 0.1 lb
24776	PLB-HR5000-TQS	QuickSilver Series, 24" x 24" – 1000 lbs x 0.2 lb
		<b>QuickSilver Platform only (PLB) with IP69K HERMETICALLY SEALED STAINLESS- STEEL Load Cells</b>
24862	PLB-HR5000-LHS	QuickSilver Series, 18" x 24" – 100 lbs x 0.02 lb
24863	PLB-HR5000-MHS	QuickSilver Series, 18" x 24" – 150 lbs x 0.05 lb
24864	PLB-HR5000-NHS	QuickSilver Series, 18" x 24" – 200 lbs x 0.05 lb
24783	PLB-HR5000-UQS	QuickSilver Series, 24" x 24" – 100 lbs x 0.02 lb
24784	PLB-HR5000-VQS	QuickSilver Series, 24" x 24" – 250 lbs x 0.05 lb
24785	PLB-HR5000-WQS	QuickSilver Series, 24" x 24" – 500 lbs x 0.1 lb
24786	PLB-HR5000-YQS	QuickSilver Series, 24" x 24" – 1000 lbs x 0.2 lb

## Section 3: Installation

The platforms are shipped ready to interface to an analog instrument. Refer to the table below for wiring color codes.

1. Place the platform where it will be used.
2. Level the platform using the feet.
3. Connect the interface cable to the instrument. The load cell interface cable is identified as follows.

### Platform wiring

Product Number	+ Excitation	- Excitation	+ Sense	- Sense	+ Signal	- Signal
24760 through 24769 and 26029	<b>Green</b>	<b>Black</b>	<b>N/A</b>	<b>N/A</b>	<b>White</b>	<b>Red</b>
24862 through 24864	<b>Green</b>	<b>Black</b>	<b>N/A</b>	<b>N/A</b>	<b>White</b>	<b>Red</b>
24783 through 24786	<b>Green</b>	<b>Black</b>	<b>N/A</b>	<b>N/A</b>	<b>White</b>	<b>Red</b>
24770 through 24776	<b>Green</b>	<b>Black</b>	<b>Blue</b>	<b>Brown</b>	<b>Red</b>	<b>White</b>



---

## Section 4: Parts Replacement

---

### Load cell replacement

#### Tools required:

- Open-end wrench
- Side cutter
- Torque wrench

#### Procedure:

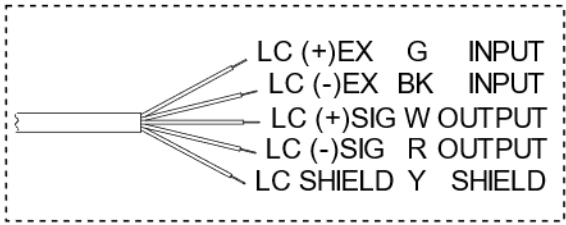
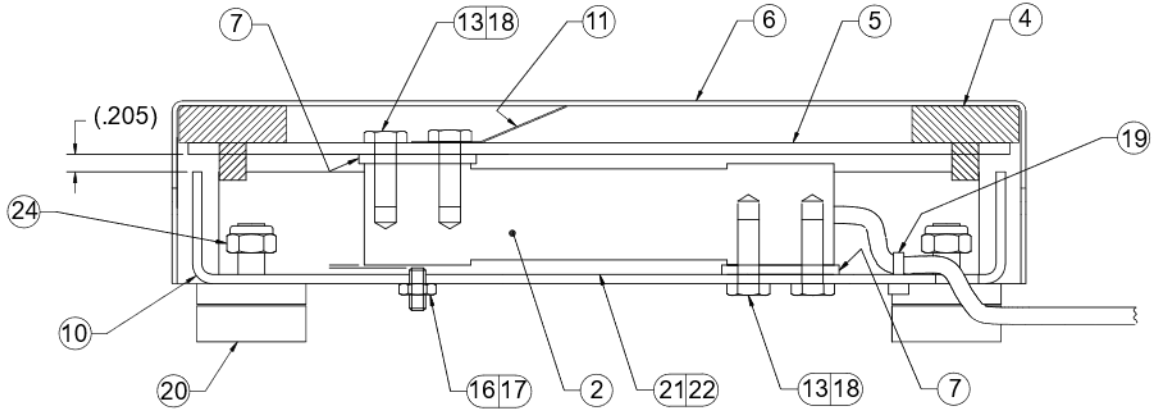
1. Disconnect the instrument from the power supply.
2. Place the platform upright without the cover.
3. Remove the screws holding the load cell and spacer in place.
4. Remove the load cell and cable **and note the cell and cable placement!**
5. Install the new load cell and the spacer(s).
6. Tighten the load cell mounting screws to 150 ( $\pm$  2) INCH/LBS of torque **only**.
7. Route the load cell cable exactly as the original cable and plug in the connector.
8. Calibrate the instrument.

## Section 5: Parts - 10" x 10" Platforms

### 10" X 10" Platform (2 lb., 6 lb., and 25 lb. capacities)

Item	Part No.	Description
2	14961	Load cell – 7 kg – for platforms 24760, 24761, and 24762
2	14963	Load cell – 30 kg – for platform 24763
4	14219	Foot assembly (used as a bumper)
5	23664	Spider, platform
6	23669	Cover, platform
7	24779	Shim, load cell (.109 thick)
10	23668	Base, platform
11	24406	Clip, ground
13	11051	Screw, machine, hex head cap, .23 – 20 x .75
16	24408	Screw, set, socket head, cup point, 10 – 32 x .50
17	11103	Nut, hex, 10 – 32
18	11920	Adhesive, screw
19	17613	Tie wire
20	14220	Foot assembly
21	11039	Bull's eye level
22	13223	Adhesive sealant
24	22963	Nut, nylon, stop

# PARTS DIAGRAM – 10" X 10" PLATFORM



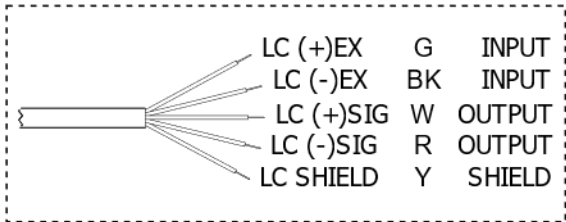
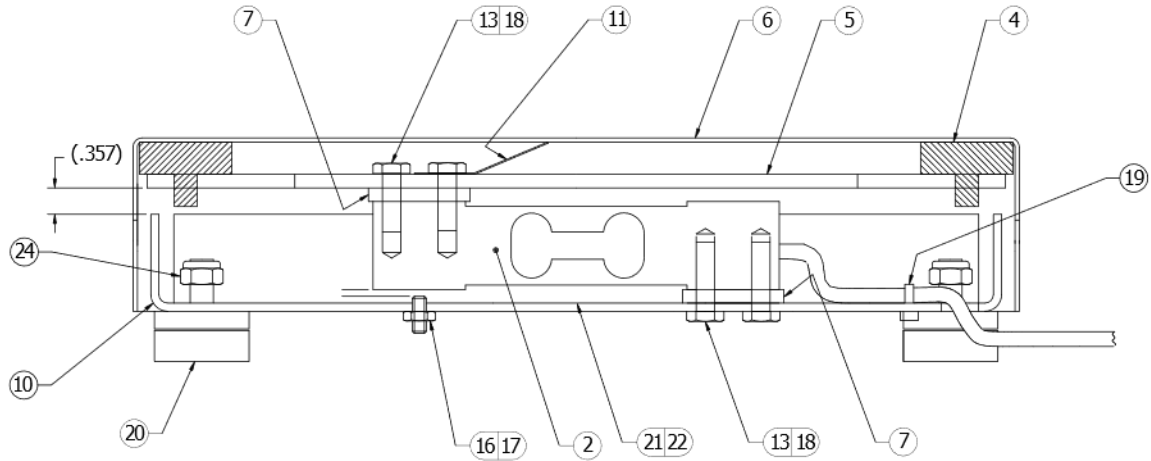
51245-1

## Section 6: Parts - 12" x 12" Platforms

### 12" x 12" Platform (30 lb, 50 lb, and 100 lb capacities)

Item	Part No.	Description
2	14963	Load cell – 30 kg – for platform 24763, 24764, 24765
2	14964	Load cell – 60 kg – for platform 26029.
4	14219	Foot assembly (used as a bumper)
5	23971	Spider, platform
6	23977	Cover, platform
7	24780	Shim, load cell (.185 thick)
10	23976	Base, platform
11	24406	Clip, ground
13	11051	Screw, machine, hex head cap, .23 – 20 x .75
16	24408	Screw, set, socket head, cup point, 10 – 32 x .50
17	11103	Nut, hex, 10 – 32
18	11920	Adhesive, screw
19	17613	Tie wire
20	14220	Foot assembly (used as a bumper)
21	11039	Bull's eye level
22	13223	Adhesive sealant
24	22963	Nut, nylon, stop

# PARTS DIAGRAM – 12" X 12" PLATFORM



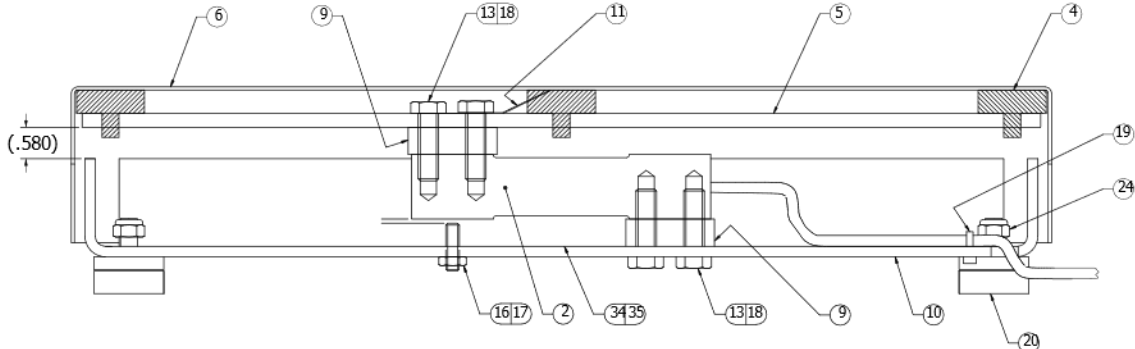
51245-2

## Section 7: Parts - 18" x 18" Platforms

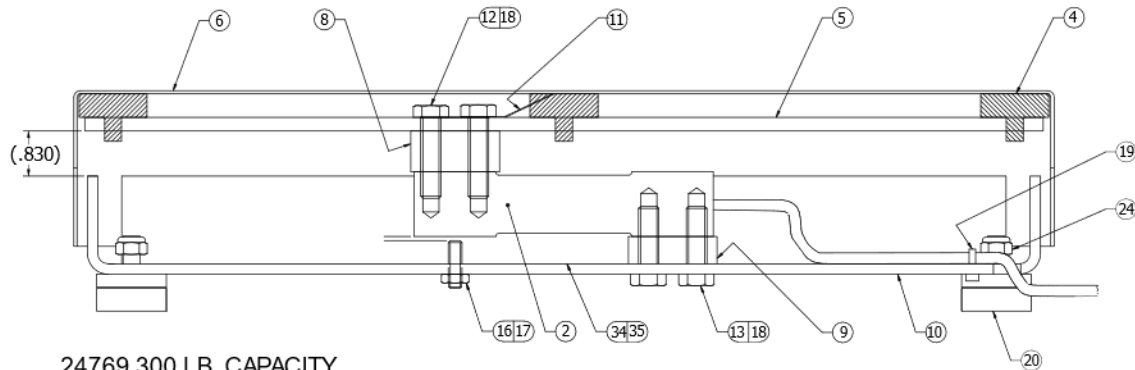
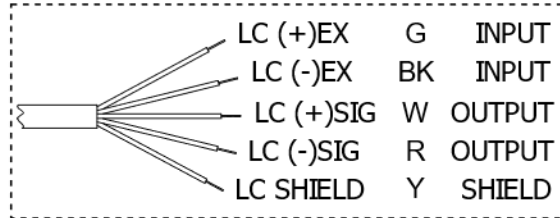
### 18" x 18" Platform (50 lb., 100 lb., 150 lb., and 300 lb. capacities)

Item	Part No.	Description
2	14965	Load cell – 100 kg – for platforms 24766, 24767 and 24768
2	14966	Load cell – 150 kg – for platform 24769
4	14219	Foot assembly (used as a bumper)
5	23538	Spider, platform
6	23548	Cover, platform
8	24843	Shim, load cell (.750 thick) for platform 24769
9	24781	Shim, load cell (.500 thick)
10	23547	Base, platform
11	24406	Clip, ground
12	24844	Screw, machine, hex head cap, $\frac{3}{8}$ – 16 x 1.50 for platform 24769
13	11047	Screw, machine, hex head cap, $\frac{3}{8}$ – 16 x 1.25
16	24782	Screw, set, socket head, cup point, $\frac{1}{4}$ – 20 x .88
17	11131	Nut, hex, jam, $\frac{1}{4}$ – 20
18	11920	Adhesive, screw
19	17613	Tie wire
20	14220	Foot assembly
24	22963	Nut, nylon, stop
34	11039	Bull's eye level
35	13223	Adhesive sealant

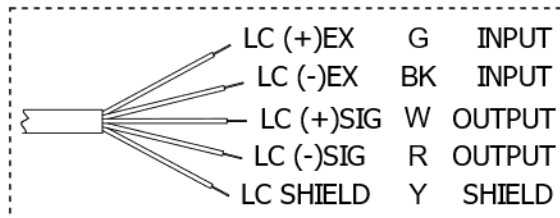
# PARTS DIAGRAM – 18" X 18" PLATFORM



24766 50 LB. CAPACITY  
 24767 100 LB. CAPACITY  
 24768 150 LB. CAPACITY



24769 300 LB. CAPACITY



51245-3

---

## Section 8: Parts - 18" x 24" Platforms

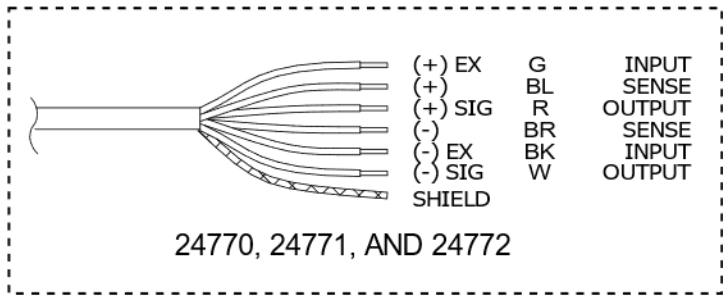
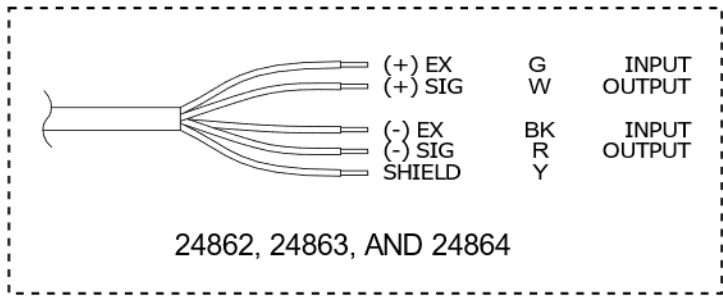
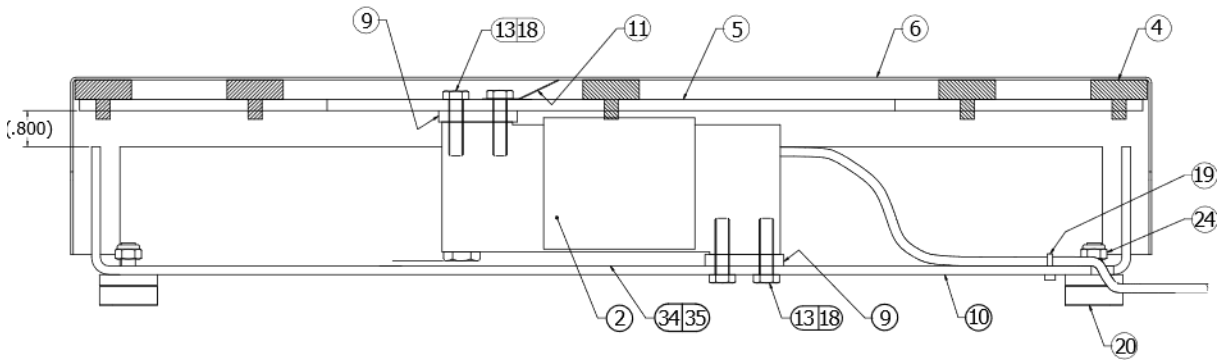
---

### 18" x 24" Platform (50 lb., 100 lb., and 300 lb. capacities)

Item	Part no.	Description
2	15835	Load cell - 150 kg – for platforms 24770, 24771 & 24772
2	21350	Load cell (hermetically sealed) - 100 kg – for platforms 24862, 24863 & 24864)
4	14219	Foot assembly (used as a bumper)
5	24430	Spider, platform
6	24429	Cover, platform
9	15831	Spacer, load cell (.250 thick)
10	24428	Base, platform
11	24406	Clip, ground
13	11050	Screw, machine, hex head cap, $\frac{5}{16}$ - 18 x 1.00
18	11920	Adhesive, screw
19	17613	Tie wire
20	14220	Foot assembly
24	22963	Nut, nylon, stop
34	11039	Bull's eye level
35	13223	Adhesive sealant



# PARTS DIAGRAM – 18" X 24" PLATFORM



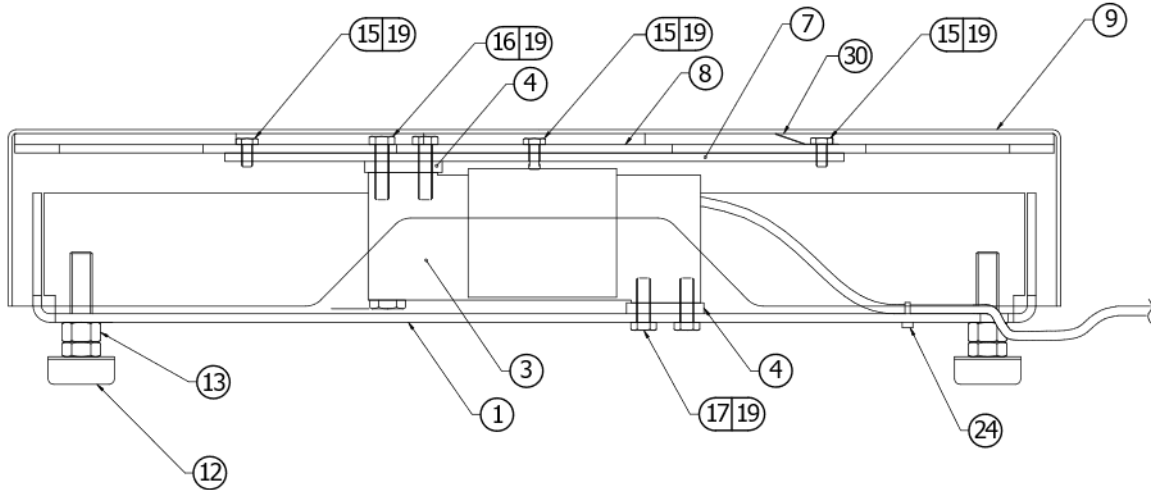
51245-4

## Section 9: Parts - 24" x 24" Platforms

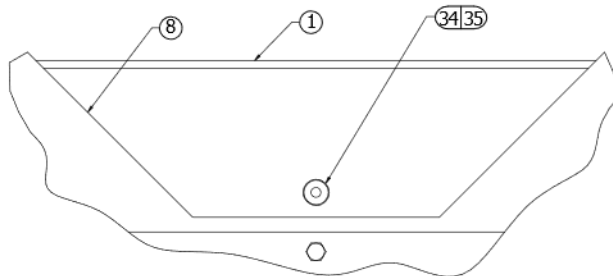
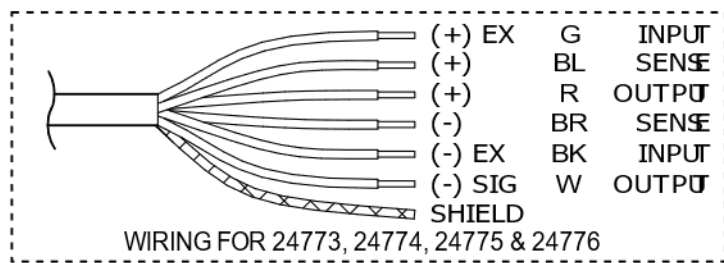
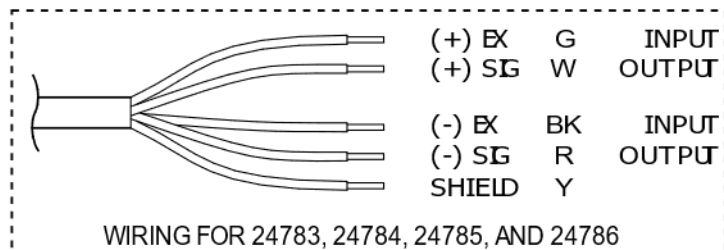
### 24" x 24" Platform (50 lb, 100 lb, and 300 lb capacities)

Item	Part no.	Description
1	24447	Base, platform
3	21350	Load cell (hermetically sealed) - 100 kg (24783 and 24784)
3	15835	Load cell - 150 kg (24773 and 24774)
3	21353	Load cell (hermetically sealed) - 500 kg (24785)
3	15836	Load cell - 300 kg (24775)
3	15837	Load cell - 500 kg (24776)
3	21353	Load cell (hermetically sealed) - 500 kg (24786)
4	15831	Spacer, load cell (.250 thick)
7	15827	Plate support (24773, 24774, 24783 and 24784)
7	15828	Plate support (24775, 24776, 24785 and 24786)
8	15826	Spider, platform
9	24448	Cover, platform
12	11480	Foot assembly
13	11101	Nut, hex, ½ - 13
15	11060	Screw, machine, hex head cap, ¼ - 20 x .50
16	11049	Screw, machine, hex head cap, 5/16 - 18 x 1.25
17	11050	Screw, mach. hex hd cap 5/16 - 18 x 1.00 (24773, 24774, 24783 & 24784)
19	11920	Adhesive, screw
24	17613	Tie wire
30	15017	Clip, ground
34	11039	Bull's eye level
35	13223	Adhesive sealant

# PARTS DIAGRAM – 24" X 24" PLATFORM



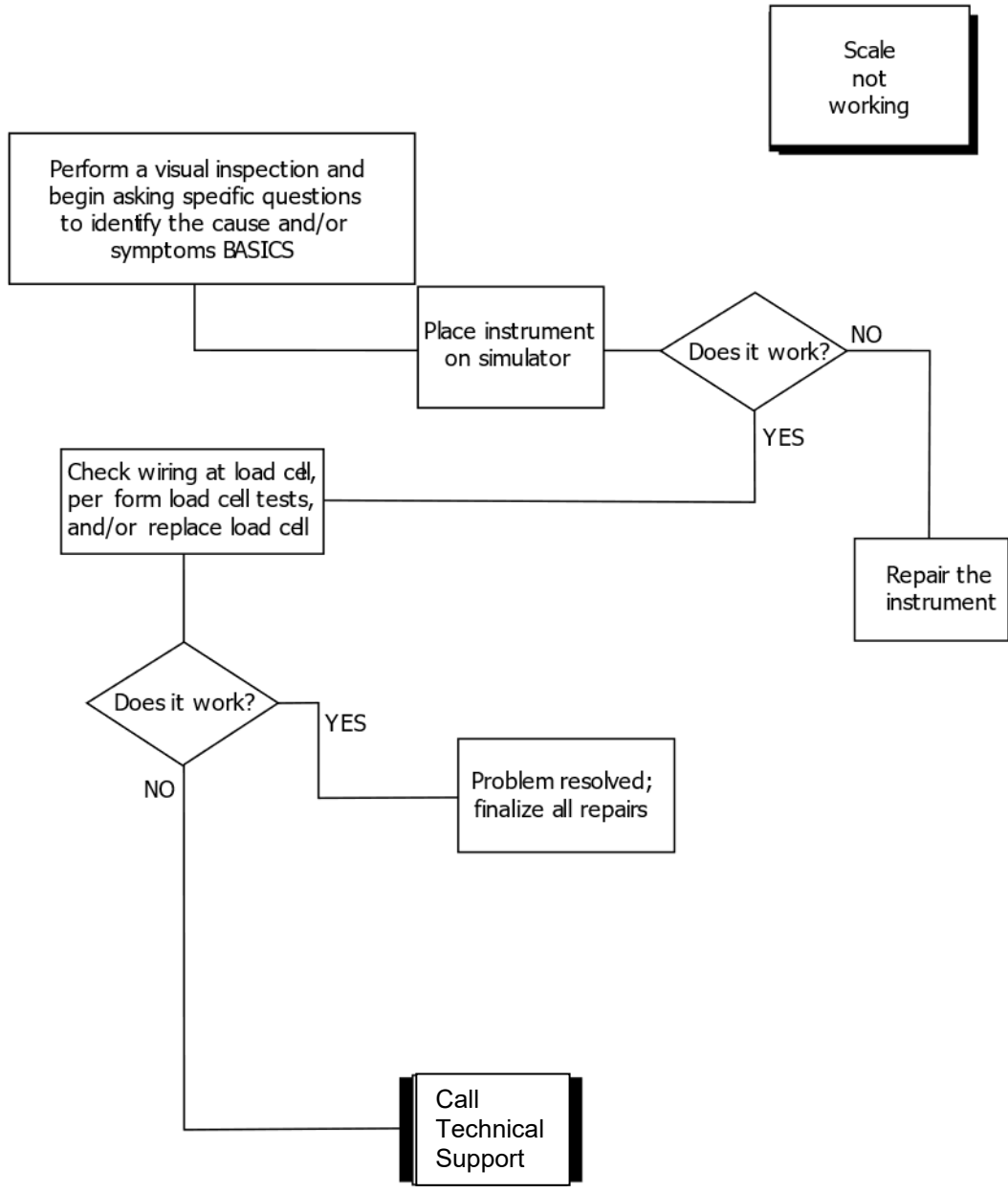
24773, 24783 ASSY, 100 LB. CAPACITY  
 24774, 24784 ASSY, 250 LB. CAPACITY



VIEW A- SHOWN WITH COVER REMOVED

51245-5

# Section 10: Troubleshooting Flow Chart



51245-6



Manufactured by Fairbanks Scales, Inc.

[www.fairbanks.com](http://www.fairbanks.com)

# 5000 Series Platforms

---

**SERVICE/INSTALLATION MANUAL  
DOCUMENT 51245**