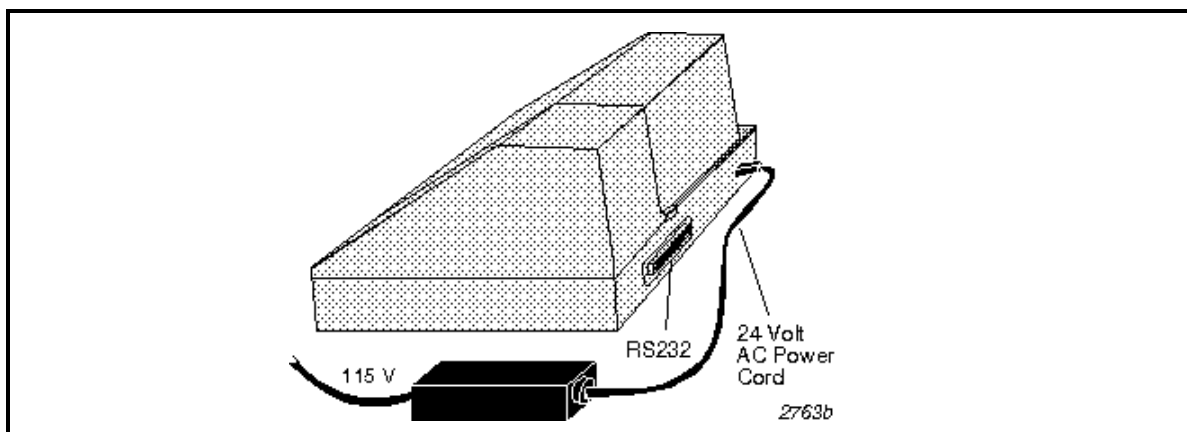


3960 Series Ticket Printer

Instruction Manual 8/99

Installation:

1. Plug the 24 volt DC 3 pin adaptor into the back of the printer.



BACK OF UNIT:

2. Plug the AC power cord into the power supply.
3. Connect the communication accessory cable into the printer and instrument.
Refer to the instrument manual for the correct cable. Refer to **Pin Out RS232C** chart on the following page for the pin out.
4. Plug the power supply into the AC outlet.
5. Turn the printer ON using the switch on the side.

Keys:

- FORWARD** - When pressed, feeds the paper forward through the printer.
- REVERSE** - When pressed, feeds the paper backwards through the printer.
- RELEASE** - When pressed, releases the paper in the printer.

Indicators:

- POWER** - When lighted, indicates power to the printer is ON.
- RELEASE** - When lighted, indicates the printer is in the release condition. When flashing, indicates an error condition.
- PAPER OUT** - When lighted, indicates there is no paper in the printer.

Self-Test:

To run the self-test feature, un-plug the printer:

1. Hold down any one of the keys and
2. Plug the printer into an 117 VAC outlet.
3. To terminate the self-test, un-plug the printer.

NOTE: *The self-test should only be run with paper and a ribbon in the printer.*

Operations:

1. Plug the printer into a 117 VAC outlet.
2. Press the RELEASE key and the RELEASE indicator will turn ON.
3. From the side, slide the ticket into the printer.
4. Press the FORWARD or REVERSE key to position the ticket in the printer.
The RELEASE indicator will turn OFF.
5. When the print key is pressed on the indicator, the ticket will be printed.
6. Press the RELEASE key and remove the ticket from the printer.

Changing The Ribbon:

To change the ticket printer ribbon:

1. With the power ON, press the RELEASE key.
2. Turn the power OFF.
3. Remove the section of the printer cover above the printer ticket path.
4. The ribbon cartridge is black, with a small handle. Grasp the handle and gently pull the cartridge forward, out of the printer.
5. Turn the adjustment knob on the new ribbon case so the ribbon is tight across the bottom of the cartridge.
6. Slide the new ribbon into place in the printer.

NOTE: *The ribbon goes BEHIND the black paper guide located in the paper path, in front of the print head.*

7. Replace the printer cover, and place a ticket in the printer.
8. Perform a self-test to verify the ribbon is advancing properly.

Pin Out RS232C:

<u>Pin</u>	<u>Signal</u>
1	Frame GND
2	TXD
3	RXD
6	DSR
20	DTR
7	Signal GND

Dip Switch Settings: Switch is located on the bottom of printer.

NOTE: The Setting on the instrument and the printer **MUST** be identical.

Character Set:

* = Recommended setting

<u>Country</u>	<u>Switch 1</u>	<u>Switch 2</u>	<u>Switch 3</u>
U.S.A.*	ON	ON	ON
France	OFF	ON	ON
Germany	ON	OFF	ON
U.K.	OFF	OFF	ON
Denmark	ON	ON	OFF
Sweden	OFF	ON	OFF
Italy	ON	OFF	OFF
Spain	OFF	OFF	OFF

Parity/Data Length:

* = Recommended Setting

<u>Switch #</u>	<u>ON</u>	<u>OFF</u>
4	7Bits	8 Bits*
5	Parity Enable	Parity Disabled*
6	Even*	Odd

Baud Rate:

* = Recommended Setting

Switch 10 - Not Used
Always OFF

<u>Baud Rate</u>	<u>Switch 7</u>	<u>Switch 8</u>	<u>Switch 9</u>
110	ON	ON	ON
150	OFF	ON	ON
300	ON	OFF	ON
600	OFF	OFF	ON
1200	ON	ON	OFF
2400*	OFF	ON	OFF
4800	ON	OFF	OFF
9600	OFF	OFF	OFF

Parts List:

<u>Part Number</u>	<u>Description</u>
15736	Power Supply
15735	Ticket Printer
14979	Ribbon

DISCLAIMER

Every effort has been made to provide complete and accurate information in this manual. However, although this manual may include a specifically identified warranty notice for the product, We make no representations or warranties with respect to the contents of this manual, and reserves the right to make changes to this manual without notice when and as improvements are made to the product.