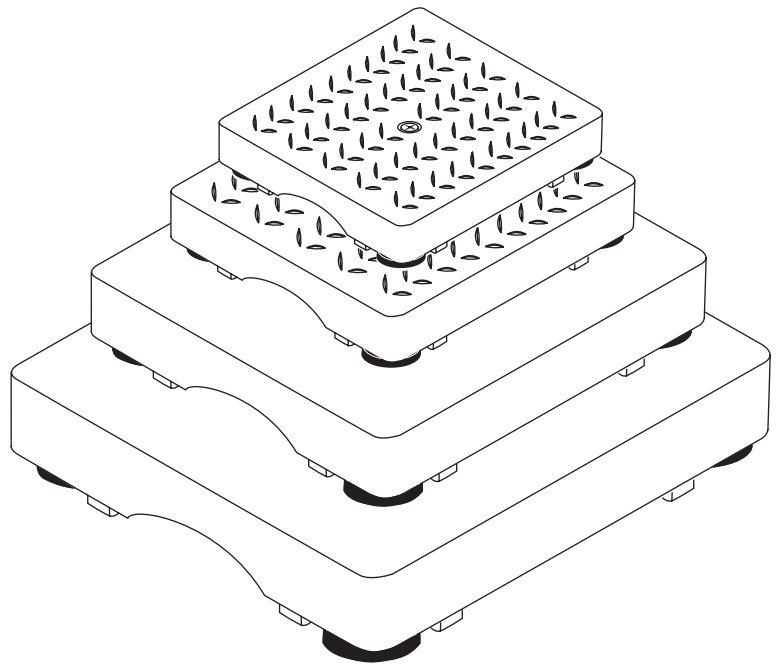




Delta Series Analog Platforms

Model: 6001



Amendment Record

Delta Series Analog Platforms Model 6001 50661

Manufactured by Fairbanks Scales Inc.
821 Locust
Kansas City, Missouri 64106

Created	7/01	New Product
Issue #1	7/01	New Product
Issue # 2	9/01	Part numbers changed
Issue #3	11/03	Added new 24" x 24" models, Capacities and Graduation Sizes, Loadcell Information, and COC #
Issue #4	12/04	Corrected errors

Disclaimer

Every effort has been made to provide complete and accurate information in this manual. However, although this manual may include a specifically identified warranty notice for the product, Fairbanks Scales makes no representations or warranties with respect to the contents of this manual, and reserves the right to make changes to this manual without notice when and as improvements are made.

Table of Contents

Section 1: Introduction	4
Section 2: Description	4
Section 3: Installation	5
Section 4: Parts Description	6
Section 5: Parts	
A. 12" x 12" - 6 lb and 12 lb Capacities	7
Diagram	8
B. 14" x 14" - 60 lb and 150 lb Capacities	9
Diagram	10
C. 18" x 18" - 100 lb and 300 lb Capacities	11
Diagram	12
D. 24" x 24" - 200 lb, 300 lb and 500 lbs	13
Diagram	14
Appendix I: Size & Capacity Chart	15
Appendix II: Schematic Diagram of PCB Junction	16
Appendix III: Parts list: Original 24" X 24"	17
Appendix IV: Loadcell Information	19

Section 1: Introduction

The 6001 Series analog platforms are lightweight scale platforms that feature matched loadcells.

The 12" x 12", and the 14" x 14" platforms are constructed of a lightweight, durable composite material.

The 18" x 18" platforms have a powder-coated steel platform cover for added strength and durability.

The 24" x 24" size is constructed entirely of steel, that is also powder coated.

Section 2: Description

The 6001 Series Platforms utilize 'matched' load cells making cornering adjustment circuitry unnecessary. Their capacities range from 6 lbs to 500 lbs, in different four sizes:

<u>Platform Size</u>	<u>Capacity</u>	<u>Division Size</u>
12" x 12"	6 lb	0.002 lb
12" x 12"	12 lb	0.005 lb
12" x 12"	25 lb	0.01 lb
14" x 14"	60 lb	0.02 lb
14" x 14"	150 lb	0.05 lb
18" x 18"	100 lb	0.05 lb
18" x 18"	300 lb	0.1 lb
24" x 24"	200 lb	0.1 lb
24" x 24"	300 lb	0.1 lb
24" x 24"	500 lb	0.2 lb

The 6001 Series Analog platform will easily interface to most any analog indicator. All models are approved for commercial use by NTEP COC # 99-197A2.

Section 3: Installation

The platforms are shipped ready to interface to an analog indicator. All models use the same wiring color code.

1. Place the platform where it will be used
2. Level the platform using the feet
3. Connect the Interface cable to the indicator. The loadcell interface cable is identified as follows:

<u>Platform Termination</u>	<u>Wire Color</u>	<u>Function</u>
TB1-2	Black	(-) Excitation
TB1-1	Green	(+) Excitation
TB1-3	Yellow	Outer Shield-Grd
N/A	Bare	Inner Shield-Chassis Grnd
TB1-4	White	(+) Signal
TB1-5	Red	(-) Signal

Section 4: Parts Replacement

A. Load Cell Replacement:

TOOLS
REQUIRED:
• #1 Phillips
screwdriver
• 7/64" Allen
wrench

1. Remove power to the indicator.
2. Set the platform up-side-down, unscrew and remove all four feet.
3. Use a 7/64" allen wrench to remove the screws in the foot holes.
4. Place the platform upright without the cover.
5. Unplug the suspect load cell from the load cell junction assy.
6. Remove the screws holding the load cell and spacer in place.
7. Remove the load cell and cable.
NOTE the cell and cable placement!
8. Install the new load cell and the spacer(s).
9. Tighten the load cell mounting screws to 8 (± 2) INCH/LBS of torque **ONLY**.
10. Route the load cell cable exactly as the original's cable & plug connector in.
11. Place the base up-side-down into the platform cover and align the holes.
12. Insert the allen head screws and tighten to 8 (± 2) INCH/LBS of torque **ONLY**.
13. Calibrate the indicator.

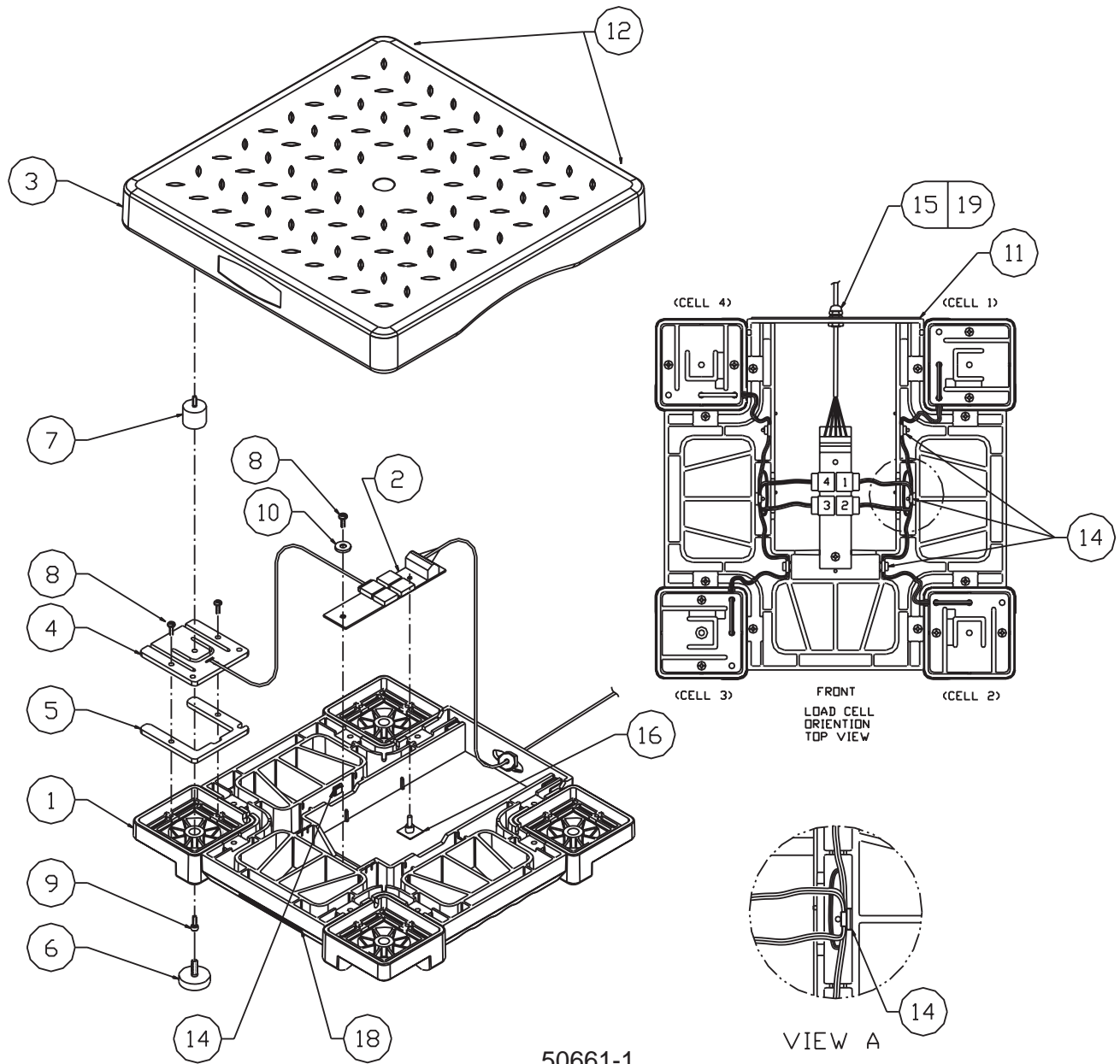
Section 5: Parts

A. 12" x 12" (6 lb, 12 lb and 25 lb Capacities):

Item No.	Part No.	Description	Capacity
1	18221	Assy, 12" base	6, 12, 25
2	22424	Load Cell Junction PCB	6, 12, 25
3	18181	Platform, 12 x 12	6, 12, 25
4	22315	Load Cell, 3 lb	6
4	22316	Load Cell, 6.25 lb	12
4	22317	Load Cell, 12.5 lb	25
5	18193	Shim	6, 12, 25
6	14233	Foot	6, 12, 25
7	19779	Load Mount	6
7	19780	Load Mount	12
7	19781	Load Mount	25
8	18963	Screw #7-18 x .47 Plastite	6, 12, 25
9	10965	#6-32 x .31 Cap Head	6, 12, 25
10	11495	Nylon Washer	6, 12, 25
11	22421	Cover Plate	6, 12, 25
12	22568	Nameplate	6
12	22569	NamePlate	12
12	22570	Serial Tag	25
14	17624	Cable Clip	6, 12, 25
15	22564	Cable Assembly	6, 12, 25
16	22565	Adhesive Mount Spacer	6, 12, 25
*17	20791	Nominal Capacity Label	6
*17	20792	Nominal Capacity Label	12
*17	20793	Nominal Capacity Label	25
18	18886	Label	6, 12, 25
19	17545	Liquid Tight Connector	6, 12, 25

* Parts Inquiry. Must furnish Original Serial Number.

A. 12" x 12" (6 lb, 12 lb and 25 lb Capacities):



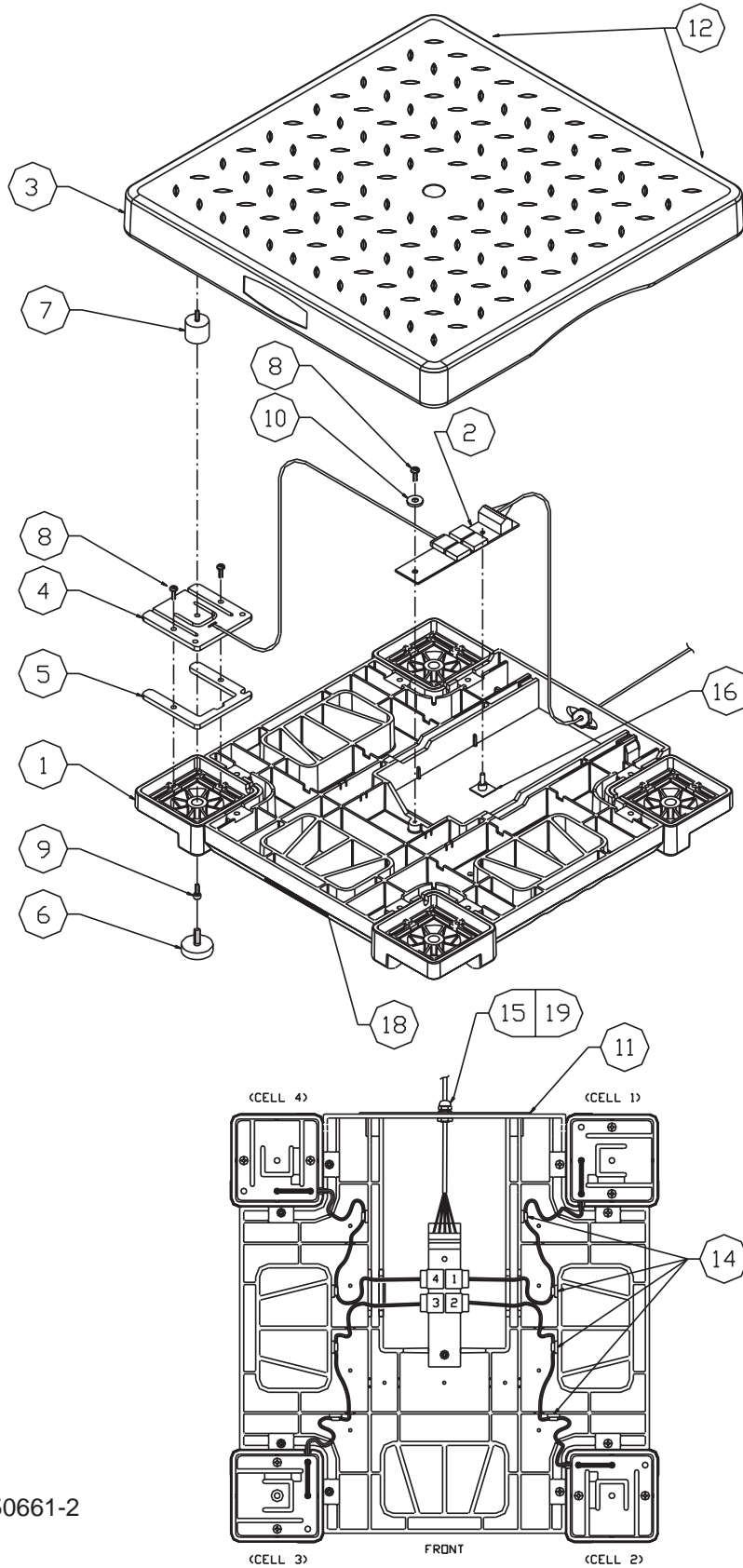
50661-1

B. 14" x 14" (60 lb and 150 lb Capacities):

Item			
<u>No.</u>	<u>Part No.</u>	<u>Description</u>	<u>Capacity</u>
1	18222	Assy, 14" base	60, 150
2	22424	Load Cell Junction PCB	60, 150
3	18182	Platform, 14 x 14	60, 150
4	22318	Load Cell, 25 lb	60
4	22319	Load Cell, 37.5 lb	150
5	18193	Shim	60, 150
6	14233	Foot	60, 150
7	20323	Load Mount	60
7	15758	Load Mount	150
8	18963	Screw #7-18 x .47 Plastite	60, 150
9	10965	#6-32 x .31 Cap Head	60, 150
10	11495	Nylon Washer	60, 150
11	22421	Cover Plate	60, 150
12	22571	Nameplate	60
12	22572	NamePlate	150
14	17624	Cable Clip	60, 150
15	22564	Cable Assembly	60, 150
16	22565	Adhesive Mount Spacer	60, 150
*17	20795	Nominal Capacity Label	60
*17	22595	Nominal Capacity Label	150
18	18886	Label	60, 150
19	17545	Liquid Tight Connector	60, 150

* Parts Inquiry. Must furnish Original Serial Number.

B. 14" x 14" (60 lb and 150 lb Capacities):



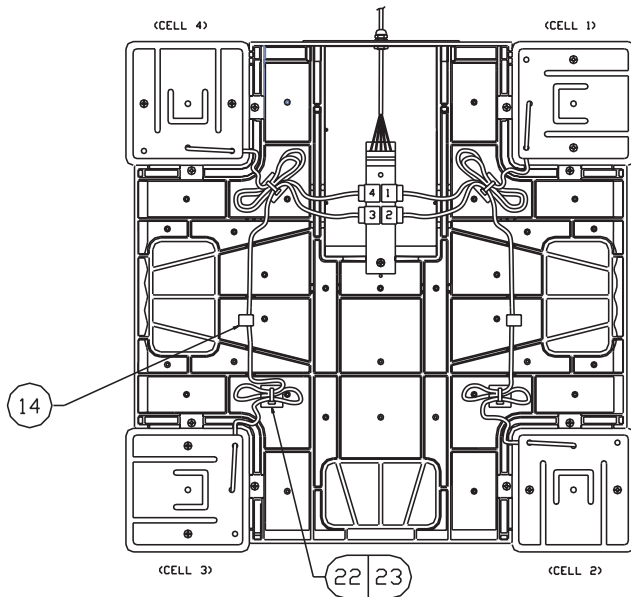
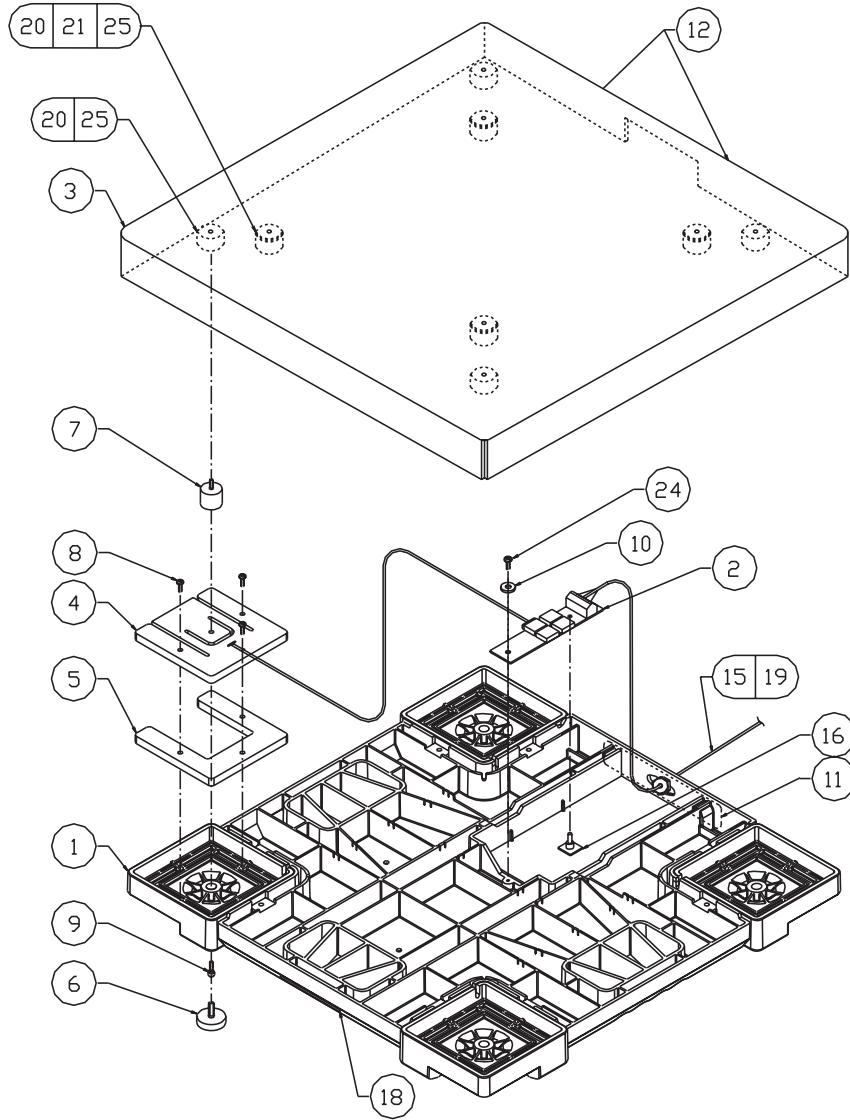
50661-2

C. 18" x 18" (100 lb and 300 lb Capacities):

Item	No.	Part No.	Description	Capacity
	1	18249	Assy, 18" base	100, 300
	2	22424	Load Cell Junction PCB	100, 300
	3	22580	Platform, 18 x 18	100, 300
	4	22320	Load Cell, 50 lb	100
	4	22005	Load Cell, 75 lb	300
	5	18194	Shim	100, 300
	6	14233	Foot	100, 300
	7	15758	Load Mount	100, 300
	8	18963	Screw #7-18 x .47 Plastite	100
	8	18966	Screw #7-18 x .63 Plastite	300
	9	10965	#6-32 x .31 Cap Head	100
	9	10315	#6-32 x .38 Cap Head	300
	10	11495	Nylon Washer	100, 300
	11	22421	Cover Plate	100, 300
	12	22573	Nameplate	100
	12	22574	NamePlate	300
	14	17624	Cable Clip	100, 300
	15	22564	Cable Assembly	100, 300
	16	22565	Adhesive Mount Spacer	100, 300
	*17	20795	Nominal Capacity Label	100
	*17	22582	Nominal Capacity Label	300
	18	18886	Label	100, 300
	19	17545	Liquid Tight Connector	100, 300
	20	22583	Platform Spacer	100, 300
	21	22592	Washer	100, 300
	22	17617	Cable Tie Mount	100, 300
	23	17615	Cable Tie	100, 300
	24	18963	Screw, #7-18 x ,47 Plastite	100, 300
	25	11920	Screw Adhesive	100, 300

* Parts Inquiry. Must furnish Original Serial Number.

C. 18" x 18" (100 lb and 300 lb Capacities):



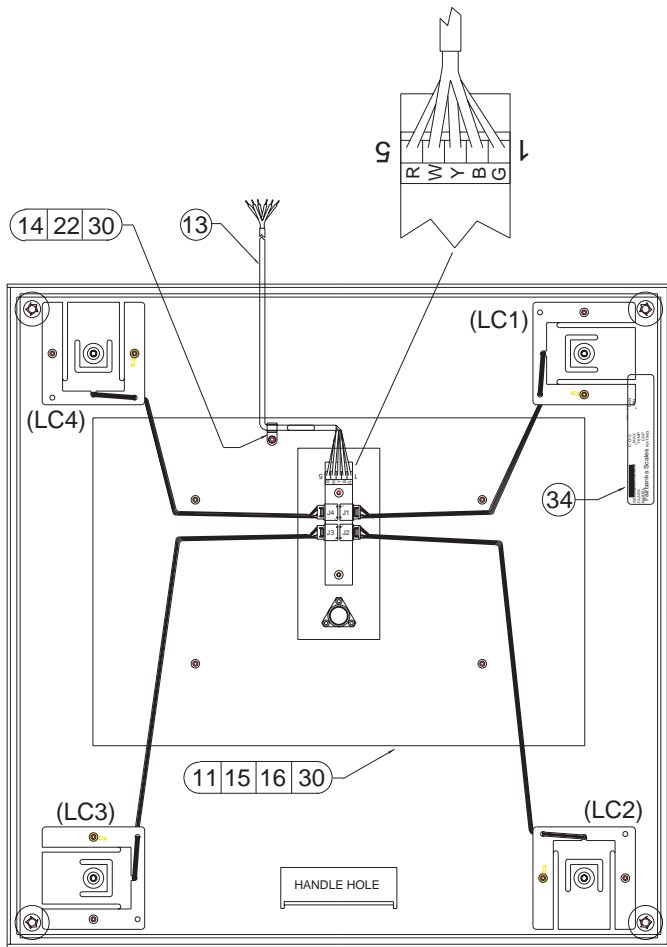
50661-3

D. 24" x 24" (200 lbs, 300 lbs and 500 lb Capacities):

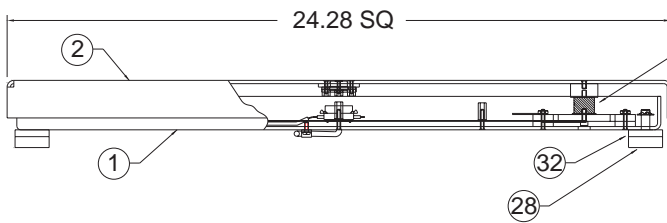
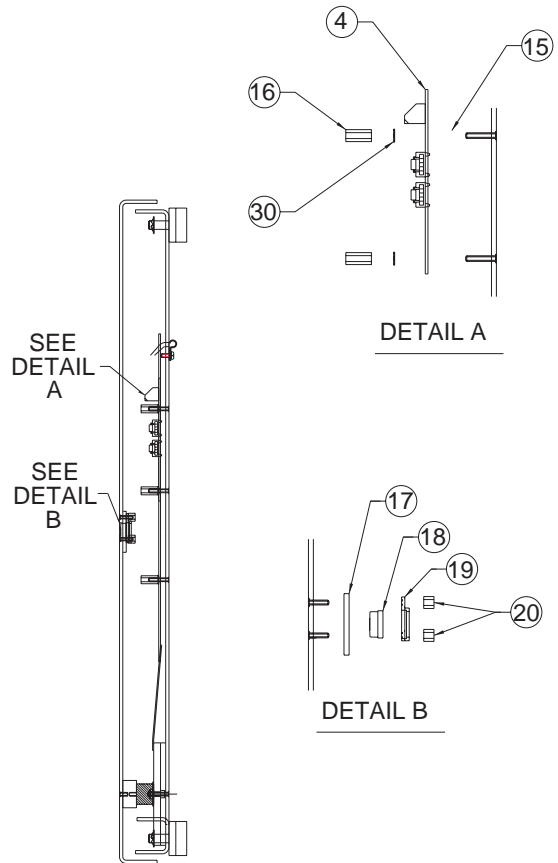
Item			
No.	Part No.	Description	Capacity
1	24118	Base Assy	200, 300, 500
2	24119	Platform Assy	200, 300, 500
4	22424	L.C. Junction PCB Assy	200, 300, 500
7	22320	Load Cell, 50 lb	200
	22005	Load Cell, 75 lb	300
	22321	Load Cell, 125 lbs	500
8	18194	Shim	200, 300, 500
9	22583	Spacer 1.00 dia.	200, 300, 500
10	15758	Load Mount	200, 300, 500
11	24124	Cable Holder Plate	200, 300, 500
13	22564	Cable Assembly	200, 300, 500
14	11263	Cable Clip	200, 300, 500
15	11272	Spacer	200, 300, 500
16	17566	Spacer 6-32 x .63	200, 300, 500
17	11039	Spacer, Level Bubble	200, 300, 500
18	23268	Bullseye Level	200, 300, 500
19	22905	Bubble Level Holder	200, 300, 500
22	10895	Screw 6-32 x .38 Pan	200, 300, 500
23	10315	Screw 6-32 x .38 Sckt	200, 300, 500
26	10103	Hex Nut 6-32	200, 300, 500
28	12777	Foot	200, 300, 500
30	10201	Washer, Lock Ext #6	200, 300, 500
32	22132	Retainer for Foot	200, 300, 500
*34	24127	Nameplate	200
	24128	NamePlate	300
	24129	NamePlate	500

* Parts Inquiry. Must furnish Original Serial Number.

D. 24" x 24" (200 lbs, 300 lbs and 500 lb Capacities):

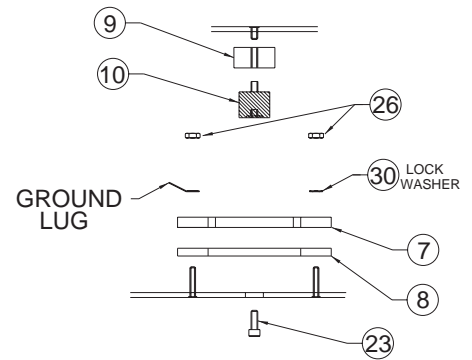


VIEW LOOKING THROUGH PLATFORM



SEE
DETAIL
C

NOTE: ALL LOADCELL CABLES TO BE RETAINED UNDER THE PLATE AS TO NOT INTERFERE WITH THE WEIGHING PLATFORM



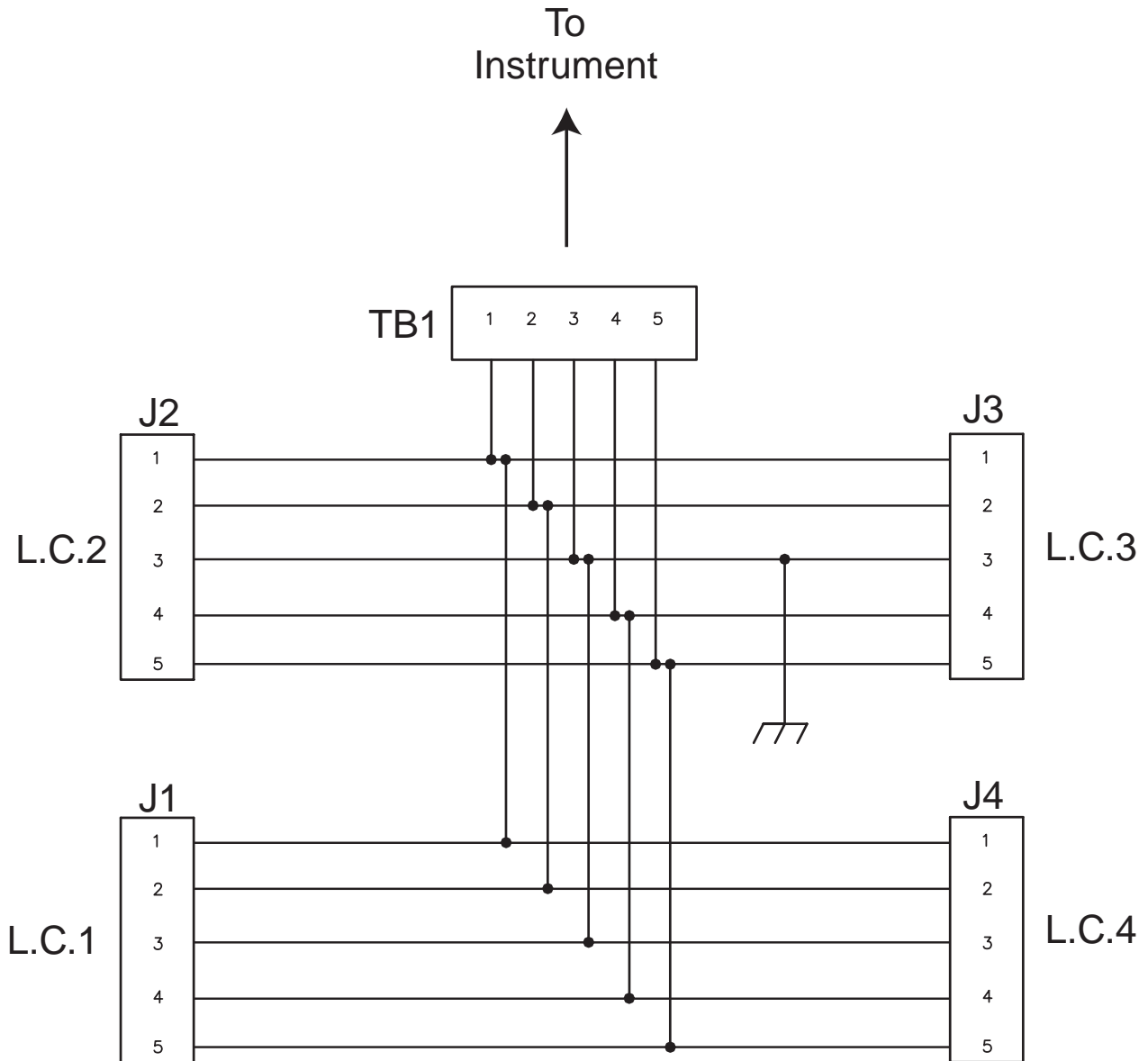
50661-3A

DETAIL C

Appendix I: Size & Capacity Chart

Product No.	Size (inches)	Platform Capacity	Load Cell Rating
22402	12 x 12 x 2.28	6 lbs	3 lbs
22403	12 x 12 x 2.28	12 lbs	6.25 lbs
22405	14 x 14 x 2.38	60 lbs	25 lbs
2406	14 x 14 x 2.38	150 lbs	37.5 lbs
22407	18.28 x 18.28 x 2.64	100 lbs	50 lbs
22408	18.28 x 18.28 x 2.64	300 lbs	75 lbs
22409	24.28 x 24.28 x 2.68	200 lbs	50 lbs
22410	24.28 x 24.28 x 2.68	300 lbs	75 lbs
22411	24.28 x 24.28 x 2.68	500 lbs	125 lbs
24120	24.28 x 24.28 x 2.68	200 lbs	50 lbs
24125	24.28 x 24.28 x 2.68	300 lbs	75 lbs
24126	24.28 x 24.28 x 2.68	500 lbs	125 lbs

Appendix II: Schematic Diagram of PCB Junction

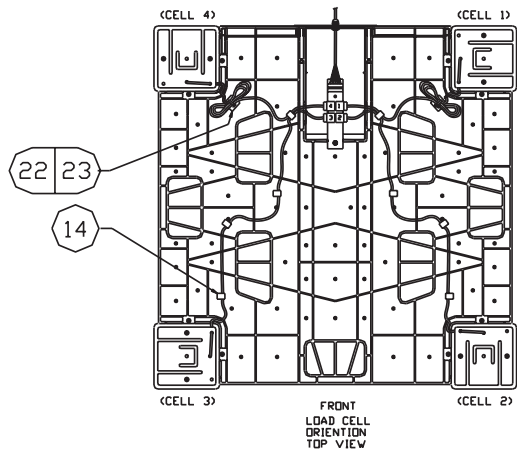
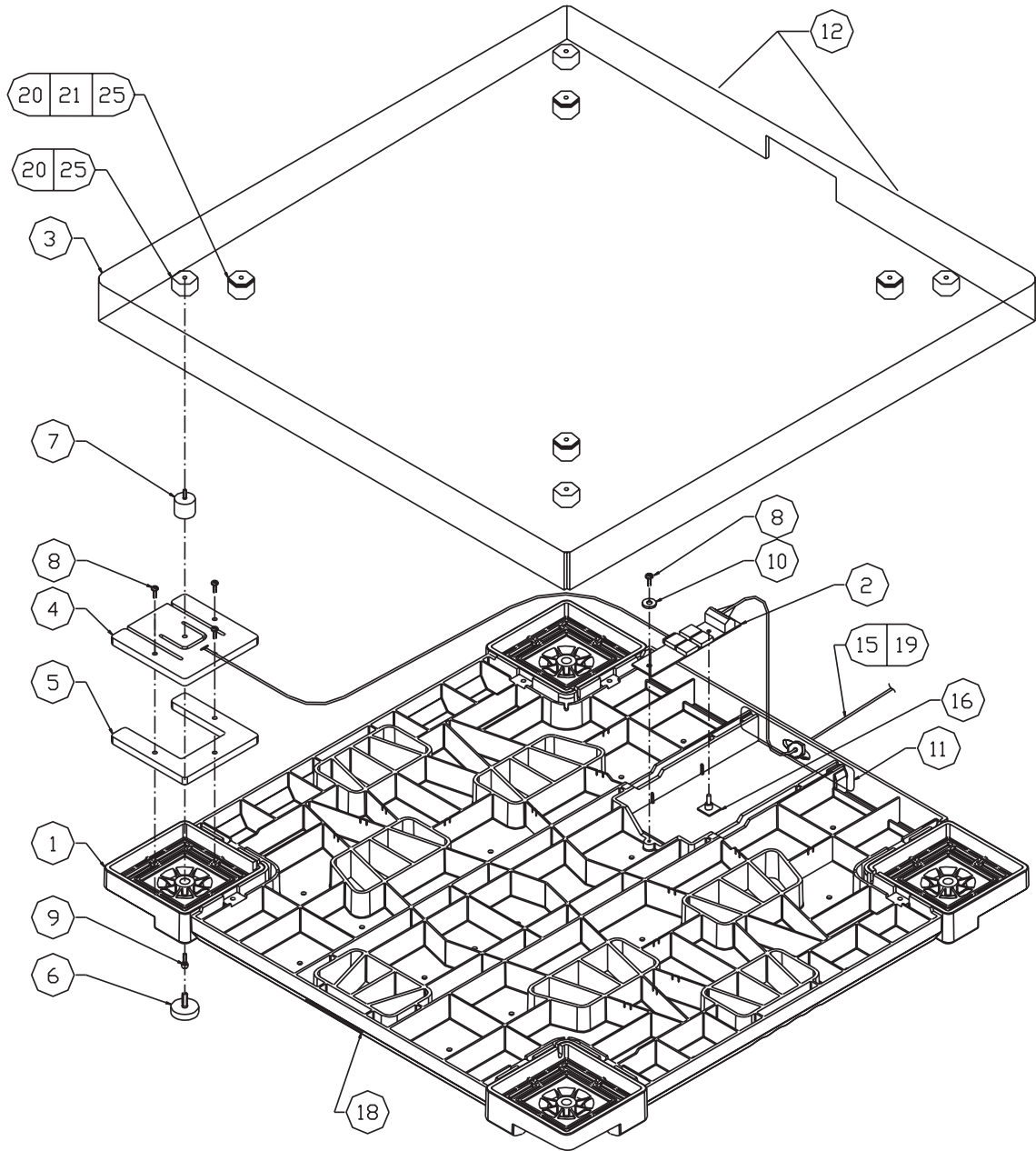


50661-5

Appendix III: Original 24" x 24"

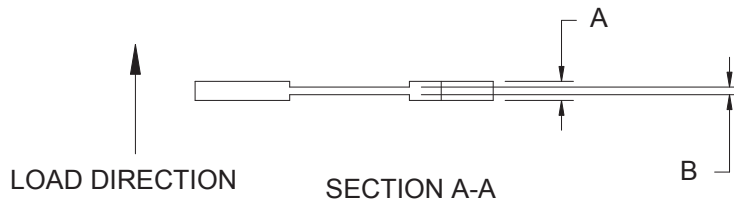
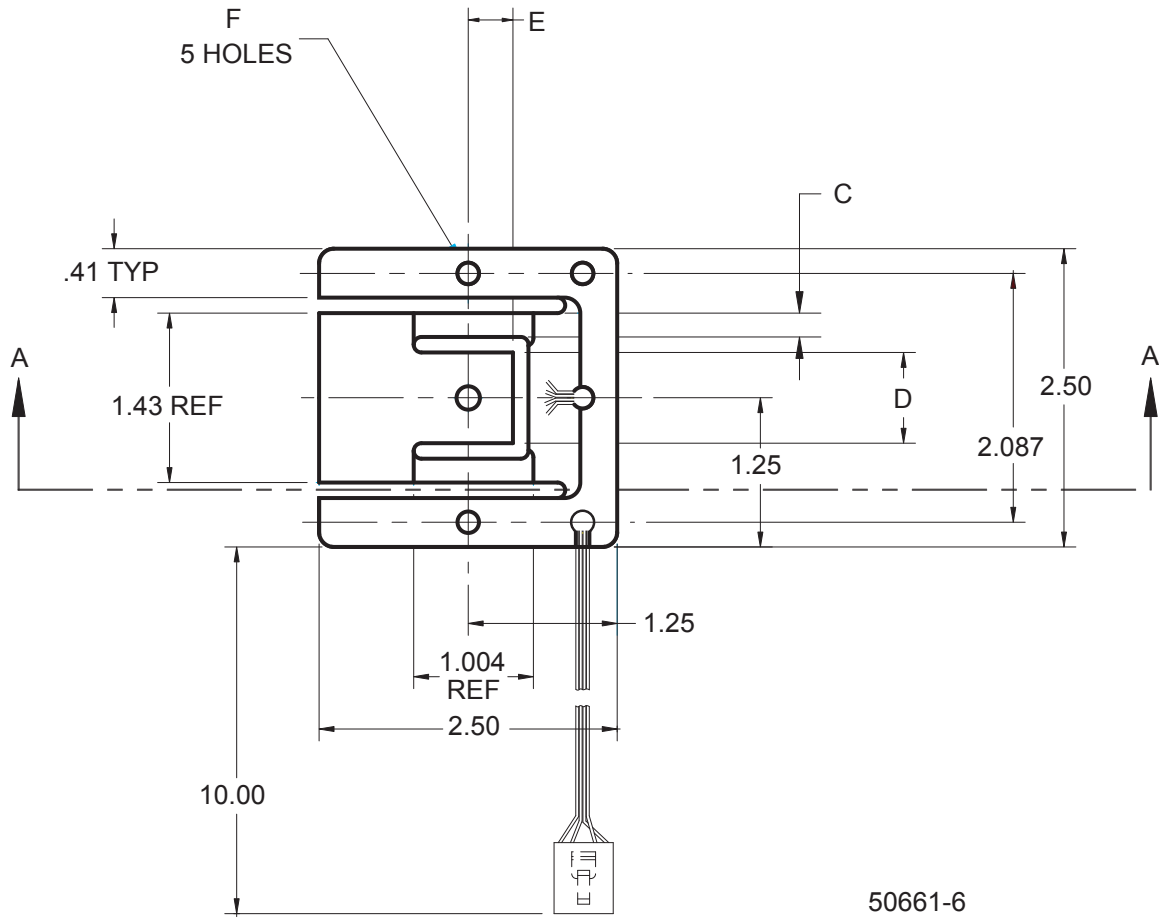
Item No.	Part No.	Description	Capacity
1	18250	Assy, 24" base	200, 300, 500
2	22424	Load Cell Junction PCB	200, 300, 500
3	22581	Platform, 24 x 24	200, 300, 500
4	22320	Load Cell, 50 lb	200
4	22005	Load Cell, 75 lb	300
4	22321	Load Cell, 125 lbs	500
5	18194	Shim	200, 300, 500
6	14233	Foot	200, 300, 500
7	15758	Load Mount	200, 300, 500
8	18963	Screw #7-18 x .47 Plastite	200
8	18966	Screw #7-18 x .63 Plastite	300, 500
9	10315	#6-32 x .38 Cap Head	200, 300, 500
10	11495	Nylon Washer	200, 300, 500
11	22421	Cover Plate	200, 300, 500
12	22575	Nameplate	200
12	22576	NamePlate	300
12	22577	NamePlate	500
14	17624	Cable Clip	200, 300, 500
15	22564	Cable Assembly	200, 300, 500
16	22565	Adhesive Mount Spacer	200, 300, 500
*17	20797	Nominal Capacity Label	200
*17	22582	Nominal Capacity Label	300
*17	20798	Nominal Capacity Label	500
18	18886	Label	200, 300, 500
19	17545	Liquid Tight Connector	200, 300, 500
20	22583	Platform Spacer	200, 300, 500
21	22592	Washer	200, 300, 500
22	17617	Cable Tie Mount	200, 300, 500
23	17615	Cable Tie	200, 300, 500
24	18963	Screw, #7-18 x ,47 Plastite	200, 300, 500
25	11920	Screw Adhesive	200, 300, 500

* Parts Inquiry. Must furnish Original Serial Number.

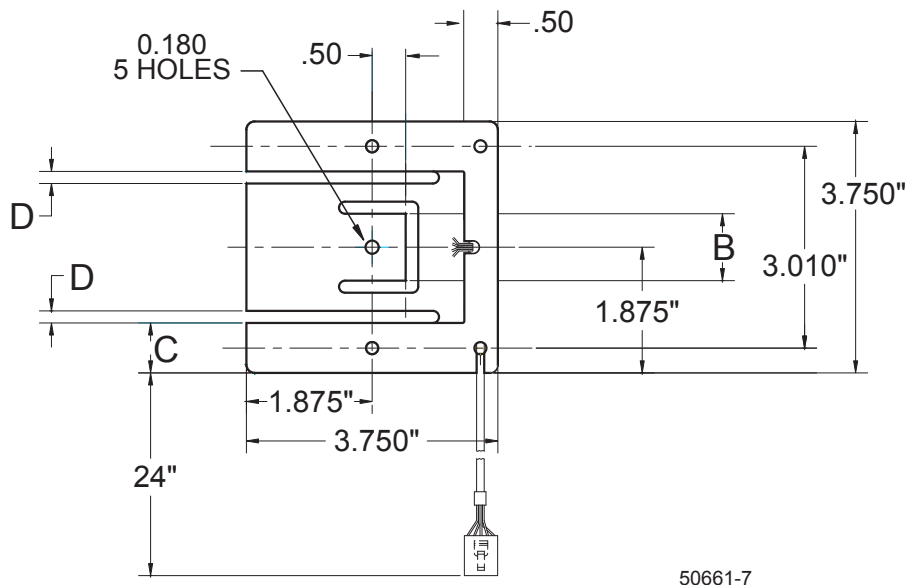


50661-4

Appendix IV: Loadcell Information



PART #	CAPACITY	"A"	"B"	"C"	"D"	"E"	"F"
22315	3.00 LB	.160	.041	.258	.64	.38	.180
22316	6.25 LB	.160	.064	.220	.72	.38	.180
22317	12.5 LB	.100	N/A	.195	.79	.33	.180
22318	25 LB	.125	N/A	.221	.74	.33	.180
22319	37.5 LB	.160	N/A	.207	.77	.33	.196



LOADCELL WIRING			
LOADCELL INPUTS	(+) EXC	BLACK	PIN 1
	(-) EXC	GREEN	PIN 2
SHIELD	GND	YELLOW	PIN 3
	(+) SIG	WHITE	PIN 4
LOADCELL OUTPUTS	(-) SIG	RED	PIN 5

PART #	CAPACITY	"A"	"B"	"C"	"D"
22320	50 LB	.160	.998	.745	.18
22004	62.5 LB	.160	.998	.677	.18
22005	75 LB	.190	.998	.720	.18
22321	125 LB	.250	.984	.745	.18

Material	2024-13 Aluminum
Rated Output	0.9 mV/V NOMINAL
Matched output Ratio:	0.0009 mV/V/ohm +/- 0.05%
Combined Linearity and Hysterises	+/- 0.020%
Non-Repeatability	0.01%
Creep in 20 Min	0.03%
Zero Balance	+/- 0.30 mV/V
Data Temp Range	+15 to +104 Deg F.
Terminal Resistance	
	INPUT 1193 +/- 5 ohms
	OUTPUT 1000 +/- 5 ohms
	INSULATION 5000 Meg Ohms @ 50 VDC MINIMUM
Max Load	213% of Cap without change of Characteristics